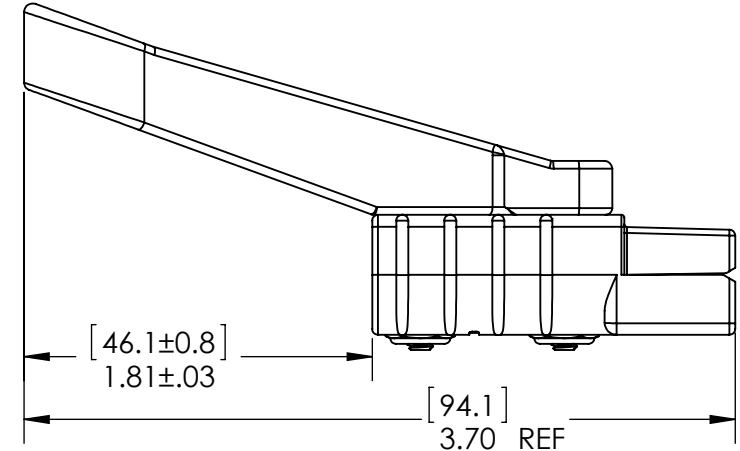
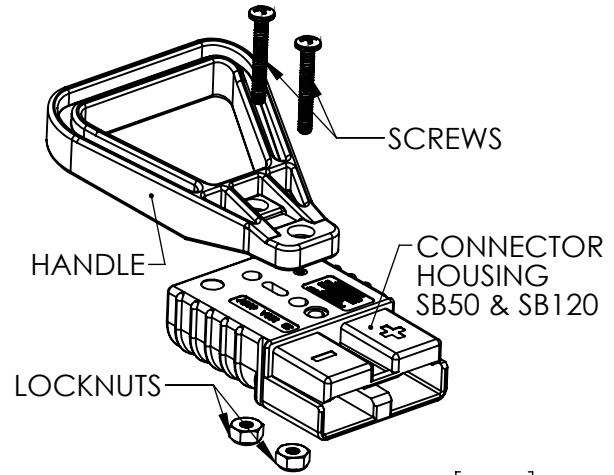


THE INFORMATION CONTAINED IN THIS DRAWING IS THE SOLE PROPERTY OF ANDERSON POWER PRODUCTS. ANY REPRODUCTION IN PART OR WHOLE WITHOUT THE WRITTEN PERMISSION OF ANDERSON POWER PRODUCTS IS PROHIBITED.

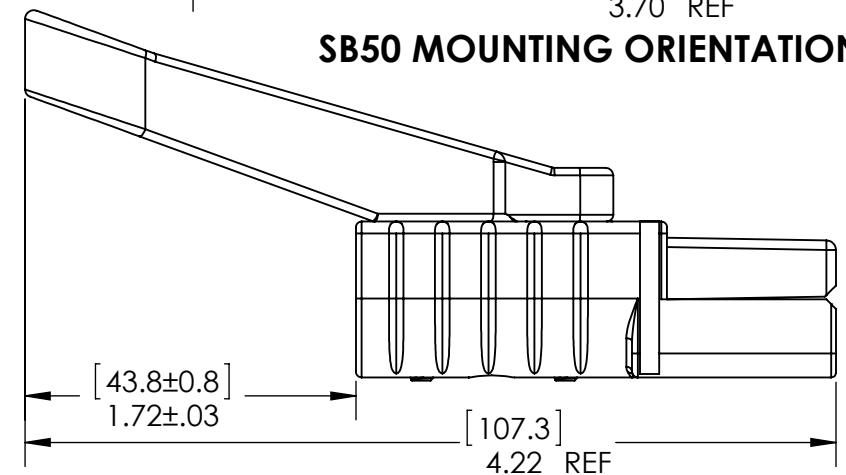
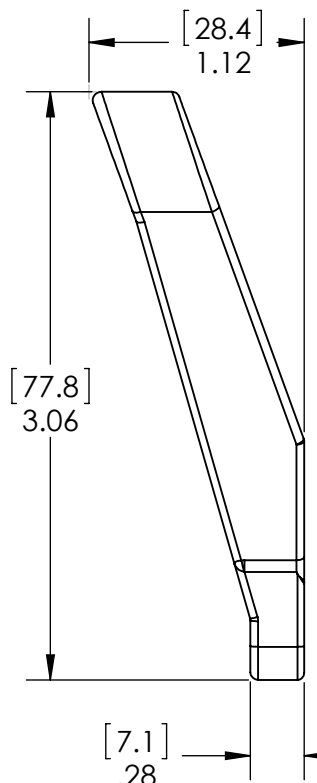
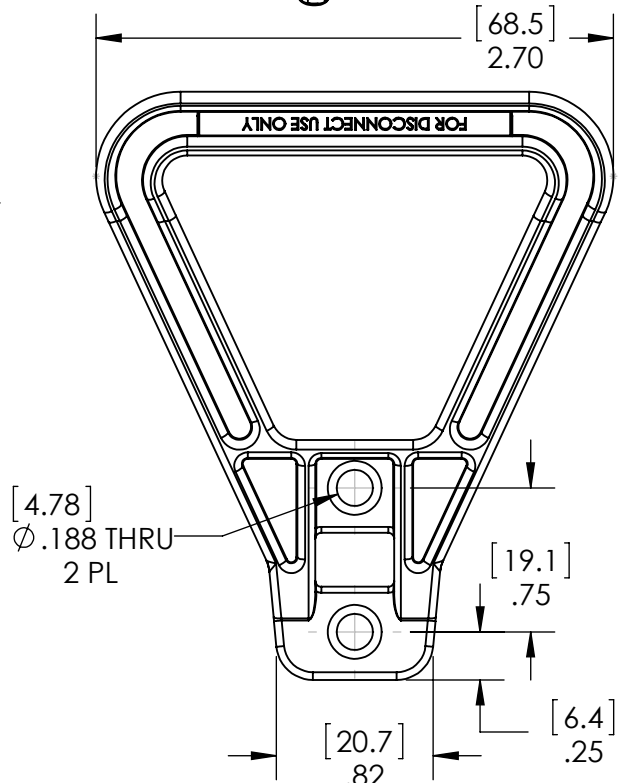
Copyright 2012

ANDERSON POWER PRODUCTS RESERVES THE RIGHT TO ALTER PRODUCT TYPES, THEIR TECHNICAL DATA, DIMENSION, STYLE AND ACCESSORIES WITHOUT PRIOR NOTIFICATION.

- NOTES:**
- CONNECTORS SOLD SEPARATELY
 - HARDWARE INCLUDED FOR SB50 & SB120
 2 LOCKNUTS
 2 SCREWS FOR SB50
 2 SCREWS FOR SB120
 - MATERIALS:**
 HANDLE - POLYCARBONATE
 SCREWS - STEEL ZINC-PLATED
 NUTS - ZINC PLATED STEEL W/ PLASTIC INSERT



SB50 MOUNTING ORIENTATION



SB120 MOUNTING ORIENTATION

KIT P/N: 997G1

DIMENSIONS ARE IN:		INCH [MM]		<i>APPROVALS</i>		ANDERSON POWER PRODUCTS	
UNLESS OTHERWISE STATED				DRAWN	TWE	7/10/2012	
TOLERANCES:				CHECKED	NTS	7/10/2012	
DECIMALS (INCH)	DECIMALS (MM)	ANGLES		MFG APPRV	CHB	7/10/2012	
.XX ± .02	.X ± .5	±2°		QC APPRV	UFN	7/11/2012	
SURFACE FINISH:				ENG APPRV	BD	7/11/2012	
MACHINED 128µin [3.2µ]				SIZE	A	DWG NO.	115175S1
MOLDED 64µin [1.6µ]				FINISH:	NONE	CADFILE	03762
MATERIAL: SEE NOTES				-CAD GENERATED DRAWING- DO NOT MANUALLY UPDATE DO NOT SCALE		REV.	0
3rd ANGLE PROJECTION				SHEET		1 OF 1	

REV.	DESCRIPTION	APPRV	DATE
REVISIONS			