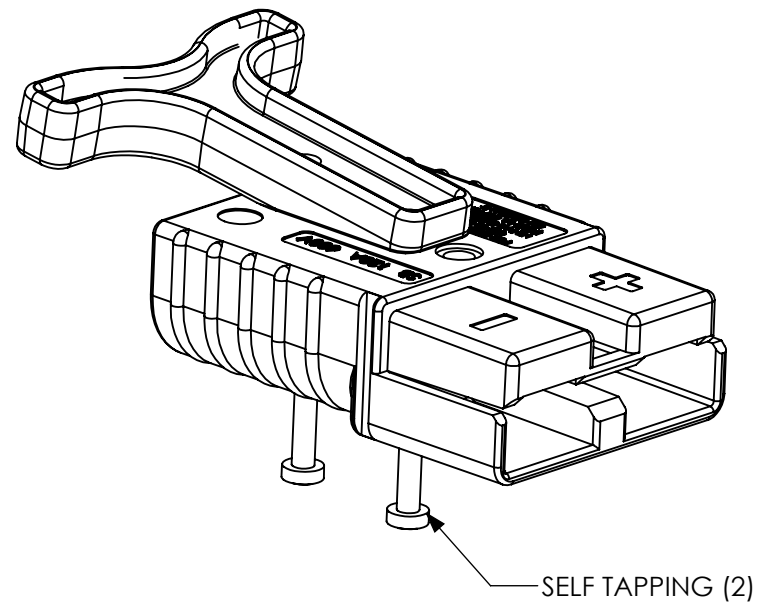
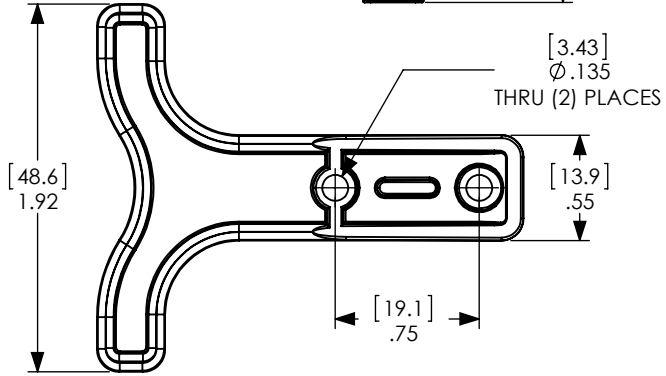
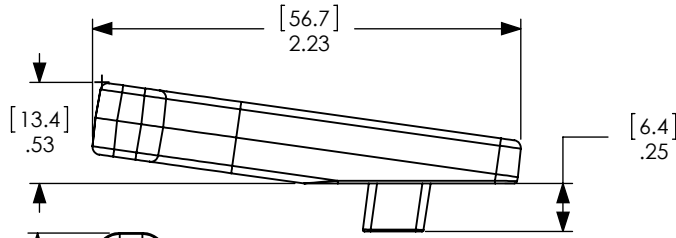
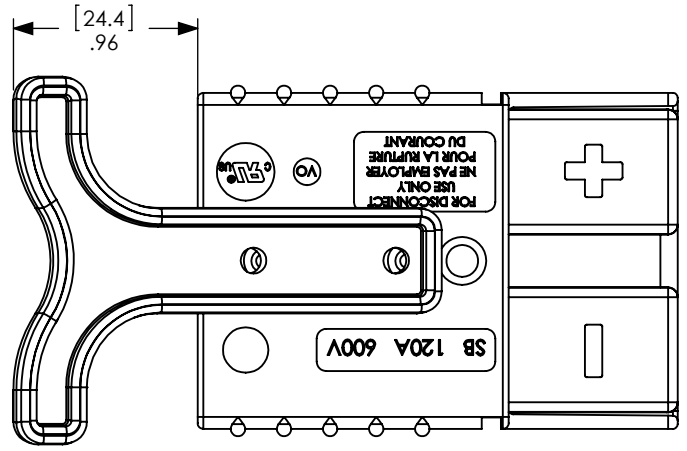


THE INFORMATION CONTAINED IN THIS DRAWING IS THE SOLE PROPERTY OF ANDERSON POWER PRODUCTS. ANY REPRODUCTION IN PART OR WHOLE WITHOUT THE WRITTEN PERMISSION OF ANDERSON POWER PRODUCTS IS PROHIBITED.

**Copyright 2002**

ANDERSON POWER PRODUCTS RESERVES THE RIGHT TO ALTER PRODUCT TYPES, THEIR TECHNICAL DATA, DIMENSION, STYLE AND ACCESSORIES WITHOUT PRIOR NOTIFICATION.



**NOTES:**

1. SCREWS: STEEL, ZINC PLATED
2. KIT INCLUDES HANDLE AND TWO SELF TAPPING SCREWS
3. CONNECTOR SOLD SEPARATELY

DIMENSIONS ARE IN:		INCH [MM]		<b>APPROVALS</b>		<b>ANDERSON POWER PRODUCTS</b>	
UNLESS OTHERWISE STATED				DRAWN	CMS	1/25/2002	<b>TITLE</b> CATALOG NUMBER: SB120-HDL-RED SB120 PLASTIC HANDLE
TOLERANCES:				CHECKED	DJD	2/1/2002	
DECIMALS (INCH) .XX ±.02				MFG APPRV	UFN	2/5/2002	
DECIMALS (MM) .X ±.5				QC APPRV	CHB	2/5/2002	
ANGLES ±2°				ENG APPRV	RPO	2/1/2002	<b>SIZE</b> A
SURFACE FINISH:				<b>MATERIAL:</b>		<b>DWG NO.</b>	<b>REV.</b>
MACHINED 128µin [3.2µ]				PC		113923S2	2
MOLDED 64µin [1.6µ]				FINISH:		<b>CADFILE</b>	<b>SHEET</b>
						01575	1 OF 1
				-CAD GENERATED DRAWING- DO NOT MANUALLY UPDATE DO NOT SCALE		<b>SCALE</b>	
						NONE	

REV.	DESCRIPTION	APPRV	DATE
2	ECRN-15046 REVISE AND REDRAW	TWE	1/18/12
1	ECRN-14075 ADD .25 DIM	JA	10/24/06
REVISIONS			