



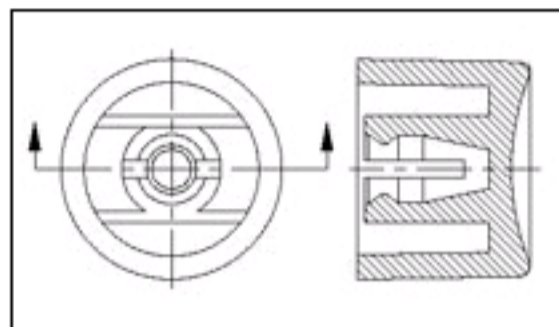
Search bar: What can we help you find?

- Products
- Industries
- Resources
- About TE
- My Account
- Innovation
- Support Center

Home > Products > Switches & Knobs > Product Feature Selector > Product Details

1825068-1 Product Details

Share | Print | Email



1825068-1
(C22004)

TE Internal Number: 1825068-1

Active

View 3D PDF

Hardware and Accessories for Mechanical Switches

Always EU RoHS/ELV Compliant (Statement of Compliance)

Product Highlights:

- Accessory Type = Pushbutton Switch Boot Seal
- Color = Black
- Used With Switch Type Green Series Push Button Switches
- RoHS compliant, ELV compliant
- Lead Free Solder Processes = Not relevant for lead free process

View all Features

Quick Links

- Pricing & Availability
- Search for Tooling
- Product Feature Selector
- Contact Us About This Product

Add to My Part List | Request Sample | Find Similar Products | Buy Product

Documentation & Additional Information

Product Drawings:

- CAP, GREEN SERIES, PUSHBUTTON, C22 (PDF, English)

Catalog Pages/Data Sheets:

- None Available

Product Specifications:

- None Available

Application Specifications:

- None Available

Instruction Sheets:

- None Available

CAD Files: (CAD Format & Compression Information)

- 2D Drawing (DXF, Version A)
- 3D Model (IGES, Version A)
- 3D Model (STEP, Version A)

Related Products:

- Tooling

List all Documents

Product Features (Please use the Product Drawing for all design activity)

Product Type Features:

- Accessory Type = Pushbutton Switch Boot Seal
- Color = Black

Configuration Features:

- Used With Switch Type = Green Series Push Button Switches

Industry Standards:

- RoHS/ELV Compliance = RoHS compliant, ELV compliant
- Lead Free Solder Processes = Not relevant for lead free process
- RoHS/ELV Compliance History = Always was RoHS compliant

Other:

- Brand = Alcoswitch
- Comment = See Drawings 1805040 and 1805041 for switches.

Corporate Information

- About TE
- Investors
- News Room
- Supplier Portal
- Careers
- Terms & Conditions
- Privacy Policy

Quick Links

- Distributor Inventory
- Product Cross Reference
- Documents & Drawings
- Product Compliance Support Center
- Site Map

Customer Support

- Email or Chat With Us
- Find a Phone Number
- Knowledge Base
- Manage Your Account

Keep Me Informed

