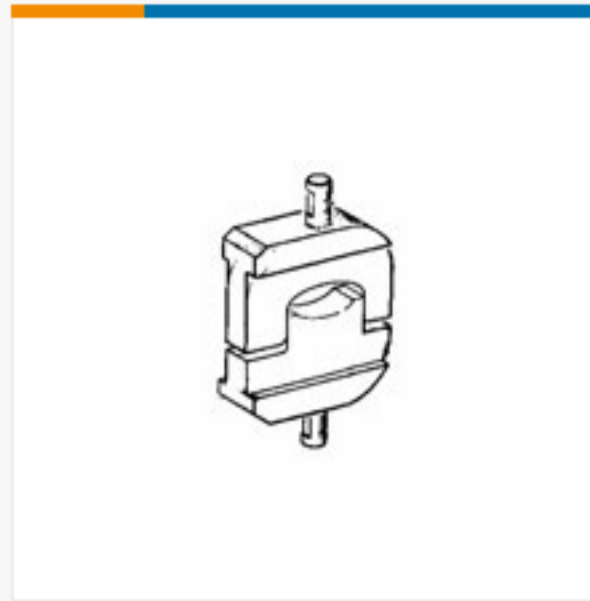


[+ APPLICATION TOOLING](#)

## HYDRAULIC TOOLS



TE CONNECTIVITY

### DIE PO INSUL SPLICE 69099 #2

AMP

69214-1

TE Internal Number: 69214-1

Not in Scope for EU RoHS/ELV Compliance

[> See All Features](#)

✓ Active

[> See All Documentation](#)

North America



SAVE TO LIST



CHECK FOR TOOLING



FIND SIMILAR PRODUCTS



## DOCUMENTATION

## FEATURES

Please review product documents or [contact us](#) for the latest agency approval information.

Detailed product features are not currently available online.

Product Compliance

[Statement of Compliance](#)  
PDF

[VIEW ALL PRODUCT COMPLIANCE](#)

## COMPATIBLE