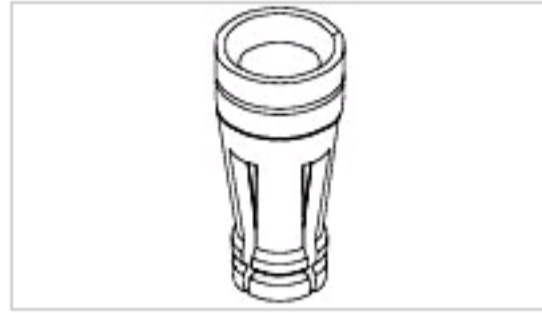


# 8134-HC-5P2 Product Details

[Share](#) | [Print](#) | [Email](#)


**Active**  
[View 3D PDF](#)

## Discrete Sockets

8134-HC-5P2=CONTACT,AU PLT. 3.

**8134-HC-5P2**

TE Internal Number: 6-1437514-6

**Product Highlights** [View All](#)

- HOLTITE Product Line
- Board-to-Device
- Applies To Printed Circuit Board
- Contact - Rated Current = 5 A
- Mating Pin Dia. Range = .28 - .46 mm, .406 - .533 mm

- [Pricing & Availability](#)
- [Request Sample](#)
- [Add to My Part List](#)
- [Buy Product through Distributor](#)

Feedback

[Documents](#) | [Features](#) | [Compliance](#)

**Please Note:**  
Use the Product Drawing for all design activity

Product Type Features	
Product Line	HOLTITE
Sealant <sup>?</sup>	Without
Profile	Zero
Electrical Characteristics	
Contact - Rated Current (A)	5
Termination Features	
Insertion Method <sup>?</sup>	Hand/Semi-Automatic
Dimensions	
Socket Length (mm [in]) <sup>?</sup>	2.54 [0.100]
Recommended Hole Size (mm [in])	1.04 [0.041]
Body Features	
Mating Pin Dia. Range (mm [in]) <sup>?</sup>	0.28 - 0.46 [0.011 - 0.018], 0.406 - 0.533 [0.016 - 0.021]
Contact Features	
Contact Plating, Mating Area, Material	Gold
Contact Plating, Mating Area, Thickness (µm [µin])	0.000635 [0.00025]
Contact Type	Socket
Contact Base Material	Beryllium Copper

Industry Standards	
Government/Industry Qualification	No
RoHS/ELV Compliance <sup>?</sup>	RoHS compliant, ELV compliant
Lead Free Solder Processes <sup>?</sup>	Not relevant for lead free process
RoHS/ELV Compliance History	Always was RoHS compliant
Conditions for Usage	
Applies To	Printed Circuit Board
Operation/Application	
Application Use	Board-to-Device
Contact Transmits (Typical Application)	Signal (Data)/Power
Packaging Features	
Packaging Method	Loose Piece
Other	
Brand	AMP

### Related Products

Not quite the product you're looking for?  
[Find Similar Products](#)  
[View Part in Product Feature Selector](#)  
[Check for Tooling](#)

#### Corporate Information

- [About TE](#)
- [Investors](#)
- [News Room](#)
- [Supplier Portal](#)
- [Careers](#)
- [Terms & Conditions](#)
- [Privacy Policy](#)
- [Global Accessibility Statement](#)

#### Quick Links

- [Distributor Inventory](#)
- [Product Cross Reference](#)
- [Documents & Drawings](#)
- [Product Compliance Support Center](#)
- [Site Map](#)

#### Customer Support

- [Email or Chat With Us](#)
- [Find a Phone Number](#)
- [Knowledge Base](#)
- [Manage Your Account](#)

#### Keep Me Informed

