



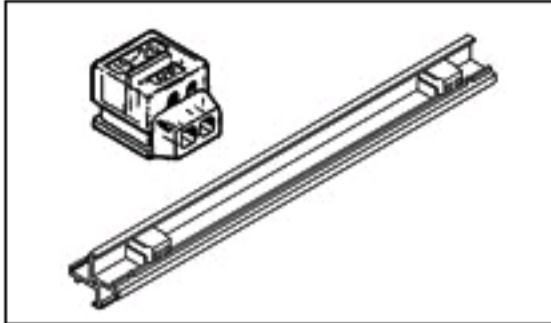
What can we help you find?

- Products
- Industries
- Resources
- About TE
- My Account
- Innovation
- Support Center

Home > Products > Terminals & Splices > Product Feature Selector > Product Details

552966-2 Product Details

Share Print Email



552966-2

TE Internal Number: 552966-2
Active

Telephone Cable Connectors (Tel-Splice)

Always EU RoHS/ELV Compliant (Statement of Compliance)

Product Highlights:

- Accessory
- Region = North America
- Accessory Type = Cartridge Assembly
- Splice Type = 2-Wire
- Filled Sealant

[View all Features](#)

- [Add to My Part List](#)
- [Request Sample](#)
- [Find Similar Products](#)
- [Buy Product](#)

Quick Links

- Pricing & Availability
- Search for Tooling
- Product Feature Selector
- Contact Us About This Product

Documentation & Additional Information

Product Drawings:

- [CARTRIDGE ASSEMBLY, 2-WIRE, TEL-SPLICE \(PDF, English\)](#)

Catalog Pages/Data Sheets:

- None Available

Product Specifications:

- None Available

Application Specifications:

- None Available

Instruction Sheets:

- [Tel-Splice Connectors \(PDF, English\)](#)

CAD Files:

- None Available

Additional Information:

- [Product Line Information](#)

Related Products:

- [Tooling](#)

[List all Documents](#)

Product Features (Please use the Product Drawing for all design activity)

Product Type Features:

- Product Type = Accessory
- Accessory Type = Cartridge Assembly
- Splice Type = 2-Wire
- Sealant = Filled
- Flame Retardant = No
- Color = Translucent

Dimensions:

- Insulation Diameter (mm [in]) = 2.03 [.080] Max.

Body Features:

- Tel-Splice Splice Box = 555769-1

Industry Standards:

- RoHS/ELV Compliance = RoHS compliant, ELV compliant
- Lead Free Solder Processes = Not relevant for lead free process
- RoHS/ELV Compliance History = Always was RoHS compliant

Packaging Features:

- Packaging Method = Individual Unit
- Packaging Quantity = 72

Product Availability:

- Region = North America

Other:

- Brand = AMP

Corporate Information

- [About TE](#)
- [Investors](#)
- [News Room](#)
- [Supplier Portal](#)
- [Careers](#)
- [Terms & Conditions](#)
- [Privacy Policy](#)

Quick Links

- [Distributor Inventory](#)
- [Product Cross Reference](#)
- [Documents & Drawings](#)
- [Product Compliance Support Center](#)
- [Site Map](#)

Customer Support

- [Email or Chat With Us](#)
- [Find a Phone Number](#)
- [Knowledge Base](#)
- [Manage Your Account](#)

Keep Me Informed

Receive TE News, Events & Technology Updates

Enter your email address

