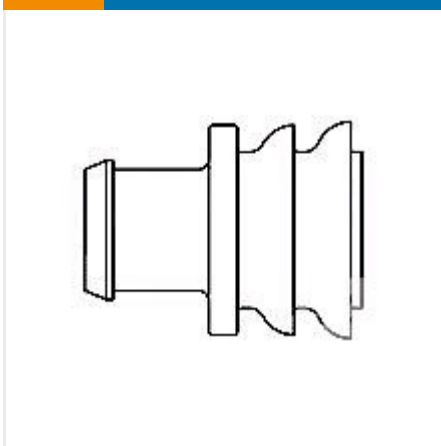




+ CONNECTORS

AUTOMOTIVE SEALS & CAVITY PLUGS



✓ Active

TE CONNECTIVITY (TE)

S.WAY SEAL F.JPT CONTACT 2.5MM

AMP | Timer Connector System

282536-1

TE Internal Number: 282536-1

EU RoHS Compliant

EU ELV Compliant

Cable Insulation Diameter 2.7 – 3 mm [.106 – .118 in]

Seal Type Single Wire Seal (SWS)

Cavity Diameter 5 mm [.197 in]

Material Silicone

Resistance to Hydrocarbons POOR

↓ **PRODUCT DRAWING**
English

↓ **3D PDF**

DOCUMENTATION

Product Drawings

SINGLE WIRE SEAL

PDF (TIFF AVAILABLE)

English

CAD Files

Customer View Model

3D_IGS.ZIP

English

Customer View Model

3D_STP.ZIP

English

Customer View Model

2D_DXF.ZIP

English

3D PDF

PDF

English

Product Specifications

Product Specification

15 AND 35 POS. SPLASH PROOF FEM. CONN. FOR J.P.T.

TIF

English

15 AND 35 POS. SPLASH PROOF FEM. CONN. FOR J.P.T.

PDF

English

Instruction Sheets

Instruction Sheet (non U.S.)

10 & 20 Way Sealed Sectioning Connector

PDF

English

10 & 20 Way Sealed Sectioning Connector

TIF

English

FEATURES



Please review product documents or [contact us](#) for the latest agency approval information.

Please Note: Use the Product Drawing for all design activity.

Product Type Features

Seal Type Single Wire Seal (SWS)

Body Features

Material Silicone

Color Gray

Dimensions

Cavity Diameter 5 mm [.197 in]

Cable Insulation Diameter 2.7 – 3 mm [.106 – .118 in]

Usage Conditions

Operating Temperature Range -40 – 130 °C [-40 – 266 °F]

Industry Standards

UL Flammability Rating None

Other

Resistance to Hydrocarbons POOR

Shore A Hardness 50

Lubricant Content Yes

PRODUCT COMPLIANCE



Statement of Compliance

Statement of Compliance

PDF
