

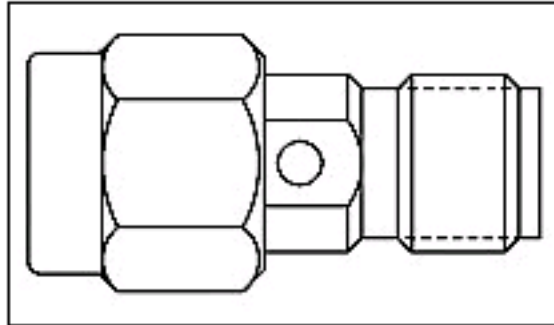


What can we help you find?

Home > Products > RF & Coax > Product Feature Selector > Product Details

# 1054425-1 Product Details

Share Print Email



1054425-1

## SMA/QMA RF Connectors

Always EU RoHS/ELV Compliant (Statement of Compliance)

### Product Highlights:

- Adapter
- RF Connector Type = SMA
- Without Snap-Lock
- Adapter Type = Plug-Jack
- Body Style = Straight

[View all Features](#)

TE Internal Number: 1054425-1

Active

[View 3D PDF](#)

[Add to My Part List](#) [Request Sample](#) [Find Similar Products](#) [Buy Product](#)

### Quick Links

- ▶ [Pricing & Availability](#)
- ▶ [Search for Tooling](#)
- ▶ [Product Feature Selector](#)
- ▶ [Contact Us About This Product](#)

## Documentation & Additional Information

### Product Drawings:

- [SMA JACK TO PLUG ADAPTER \(2082-133-00\)](#) (PDF, English)

### Catalog Pages/Data Sheets:

- None Available

### Product Specifications:

- None Available

### Application Specifications:

- None Available

### Instruction Sheets:

- None Available

### CAD Files: (CAD Format & Compression Information)

- [2D Drawing \(DXF, Version A\)](#)
- [3D Model \(IGES, Version A\)](#)
- [3D Model \(STEP, Version A\)](#)

### Related Products:

- [Tooling](#)

[List all Documents](#)

## Product Features (Please use the Product Drawing for all design activity)

### Product Type Features:

- Product Type = Adapter
- RF Connector Type = SMA
- Adapter Type = Plug-Jack
- Retractable Collar = Without
- Dielectric Material = TFE Fluorocarbon
- Coupling Nut Material = Stainless Steel
- Coupling Nut Finish = Gold over Nickel

### Mechanical Attachment:

- Panel Mount Retention = Without

### Electrical Characteristics:

- Impedance ( $\Omega$ ) = 50
- Frequency = DC - 18 GHz
- Insulation Resistance (M $\Omega$ ) = 5,000

### Dimensions:

- Length (mm [in]) = 18.30 [0.720]

### Body Features:

- Snap-Lock = Without
- Body Style = Straight
- Body Material = Stainless Steel
- Body Finish = Gold
- Gasket Material = Silicone Rubber
- Retaining Ring Material = Beryllium Copper

### Contact Features:

- Center Contact = With
- Center Contact Material = Beryllium Copper
- Center Contact Plating = Gold over Copper

### Industry Standards:

- Government/Industry Qualification = No
- RoHS/ELV Compliance = RoHS compliant, ELV compliant
- Lead Free Solder Processes = Not relevant for lead free process
- RoHS/ELV Compliance History = Always was RoHS compliant

### Other:

- Brand = AMP

## Corporate Information

- [About TE](#)
- [Investors](#)
- [News Room](#)
- [Supplier Portal](#)
- [Careers](#)
- [Terms & Conditions](#)
- [Privacy Policy](#)

## Quick Links

- [Distributor Inventory](#)
- [Product Cross Reference](#)
- [Documents & Drawings](#)
- [Product Compliance Support Center](#)
- [Site Map](#)

## Customer Support

- [Email or Chat With Us](#)
- [Find a Phone Number](#)
- [Knowledge Base](#)
- [Manage Your Account](#)

## Keep Me Informed

Receive TE News, Events & Technology Updates

Enter your email address

