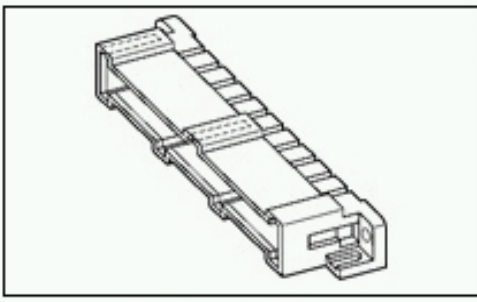


208116-1 Product Details

[Live Product Chat](#)



5mm (.197") Centerline, 600 V, 14 A max. (Metrimate)

[Not EU RoHS or ELV Compliant \(Find RoHS Compliant Alternates\)](#)

Product Highlights:

- Header
- In-Line Connector Configuration
- Number of Positions = 6
- Pin
- Without Coaxial Socket

[View all Features](#) | [Find Similar Products](#)

Quick Links

- ▶ [Check Pricing & Availability](#)
- ▶ [Search for Tooling](#)
- ▶ [Product Feature Selector](#)
- ▶ [Contact Us About This Product](#)
- ▶ [Request Samples](#)

NEW!

208116-1

TE Part Number: 208116-1

[Active](#)

[Add to Part List](#)

[View 3D PDF](#)

Documentation & Additional Information

Product Drawings:

- [HEADER ASSEMBLY, PIN, 6 POSITION, METRIMATE](#) (PDF, English)

Catalog Pages/Data Sheets:

- None Available

Product Specifications:

- None Available

Application Specifications:

- [Metrimate Self-Locking Connectors](#) (PDF, English)
- [METRIMATE Self-Locking Connectors](#) (PDF, English)

Instruction Sheets:

- None Available

CAD Files: [\(CAD Format & Compression Information\)](#)

- [2D Drawing](#) (DXF, Version G)
- [3D Model](#) (IGES, Version G)
- [3D Model](#) (STEP, Version G)

Additional Information:

- [Product Line Information](#)

Additional Product Images:

- [PCB Layout](#)

Related Products:

- [Tooling](#)

[List all Documents](#)

Product Features (Please use the Product Drawing for all design activity)

Product Type Features:

- [Product Type](#) = Header
- [Number of Positions](#) = 6
- [Gender](#) = Pin
- [Keyed](#) = No
- Mount = Printed Circuit Board
- [PCB Mount Angle](#) = Right Angle
- [Mounting Ears](#) = With
- [Post Type](#) = Solder Post
- [Mating Connector Lock](#) = Without
- PCB Retention Feature = Yes

Electrical Characteristics:

- Voltage (VAC) = 600
- Current Rating (Amps.) = 14

Termination Related Features:

- Termination (Solder) Post Length (mm [in]) = 3.05 [0.120]

Body Related Features:

- [Connector Configuration](#) = In-Line
- Coaxial Socket = Without
- [Centerline \(mm \[in\]\)](#) = 5.08 [0.200]
- [Jackscrew](#) = Without
- [8/32 Insert](#) = No
- PCB Retention Method = Mounting Holes

Contact Related Features:

- Contact Mating Area Plating Material = Tin-Lead over Copper
- Contact Material = Copper Alloy

Housing Related Features:

- Housing Material = Thermoplastic
- Housing Color = Red
- Housing Flammability Rating = UL 94V-0

Industry Standards:

- [RoHS/ELV Compliance](#) = Not ELV/RoHS compliant
- [Lead Free Solder Processes](#) = Wave solder capable to 240°C, Wave solder capable to 260°C, Wave solder capable to 265°C

Other:

- Brand = AMP