

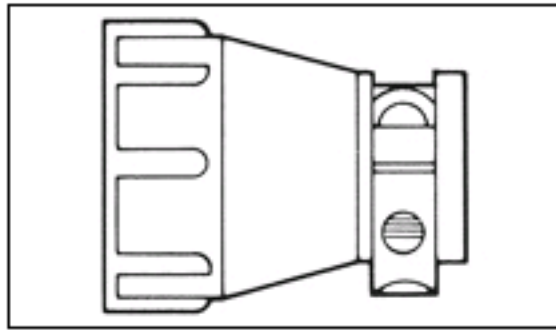


- Products
- Industries
- Resources
- About TE
- My Account
- Innovation
- Support Center

Home > Products > Circular Industrial > Product Feature Selector > Product Details

1-206062-3 Product Details

Share Print Email



1-206062-3

TE Internal Number: 1-206062-3

Active

View 3D PDF

CPC Accessories

Always EU RoHS/ELV Compliant (Statement of Compliance)

Product Highlights:

- Accessory Type = Cable Clamp
- Shell Size = 11
- Body Style = Straight
- Cable Diameter (Max.) = 8.36 mm
- Thermoplastic Cable Clamp Material

View all Features

Quick Links

- Pricing & Availability
- Search for Tooling
- Product Feature Selector
- Contact Us About This Product

- Add to My Part List
- Request Sample
- Find Similar Products
- Buy Product

Documentation & Additional Information

Product Drawings:

- CABLE CLAMP KIT, STANDARD, SHELL SIZE 11, CPC (PDF, English)

Catalog Pages/Data Sheets:

- None Available

Product Specifications:

- None Available

Application Specifications:

- None Available

Instruction Sheets:

- Installing Flat Ring Onto Cable Clamp (PDF, English)

CAD Files: (CAD Format & Compression Information)

- 2D Drawing (DXF, Version W)
- 3D Model (IGES, Version W)
- 3D Model (STEP, Version W)

List all Documents

Additional Information:

- Product Line Information

Additional Product Images:

- Product Usage
- Product Usage
- Product Usage

Related Products:

- Tooling

Product Features (Please use the Product Drawing for all design activity)

Product Type Features:

- Accessory Type = Cable Clamp
- Shell Size = 11
- Thread Size = 5/8-24
- Screw Size = 5-20 Self-Tapping

Dimensions:

- Cable Diameter (Max.) (mm [in]) = 8.36 [0.329]

Body Features:

- Body Style = Straight
- Cable Clamp Material = Thermoplastic
- Cover = Without
- Screw Finish = Zinc Plated Steel, Non-Hexavalent Chromate
- Cable Clamp Color = Black
- Cable Clamp Flammability Rating = UL94V-1

Industry Standards:

- RoHS/ELV Compliance = RoHS compliant, ELV compliant
- Lead Free Solder Processes = Not relevant for lead free process
- RoHS/ELV Compliance History = Always was RoHS compliant

Packaging Features:

- Packaging Method = Individual

Other:

- Brand = AMP
- Comment = Components for all cable clamps are packaged unassembled. This includes the cable clamp, two screws, and the clamping inserts.; Cable clamps can be threaded directly onto plugs or receptacles, or onto back-shell extenders.; Replacement screws are available in the following sizes: 9.52mm [3/8 in.] -P/N 19024-1, 12.7mm [1/2 in.] -P/N 19024-2, 15.88mm [5/8 in.] -P/N 19024-3, 25.4mm [1 in.] -P/N 19024-4, 19.05mm [3/4 in.] -P/N 19024-5.; Cable clamp inserts are not sold separately.; Clamping areas adjustable by inverting or changing inserts.

Corporate Information

- About TE
- Investors
- News Room
- Supplier Portal
- Careers
- Terms & Conditions
- Privacy Policy

Quick Links

- Distributor Inventory
- Product Cross Reference
- Documents & Drawings
- Product Compliance Support Center
- Site Map

Customer Support

- Email or Chat With Us
- Find a Phone Number
- Knowledge Base
- Manage Your Account

Keep Me Informed

