



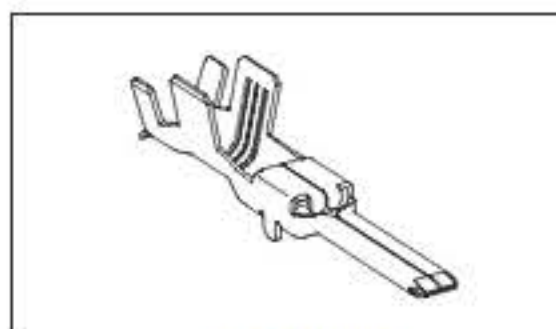
What can we help you find?

- Products
- Industries
- Resources
- About TE
- My Account
- Innovation
- Support Center

Home > Products > Product Feature Selector > Product Details

1326029-3 Product Details

[Share](#) [Print](#) [Email](#)



1326029-3

TE Internal Number: 1326029-3
Active

Timer Contacts

Always EU RoHS/ELV Compliant (Statement of Compliance)

Product Highlights:

- Timer Products Product Line
- 2.5 mm System Series, USCAR Series
- Wire-to-Wire
- Applies To Wire/Cable
- Contact

[View all Features](#)

[Add to My Part List](#) [Request Sample](#) [Find Similar Products](#) [Buy Product](#)

Quick Links

- ▶ Pricing & Availability
- ▶ Search for Tooling
- ▶ Product Feature Selector
- ▶ Contact Us About This Product

Documentation & Additional Information

Product Drawings:

- 2.8mm BLADE, UNSEALED (PDF, English)

Catalog Pages/Data Sheets:

- None Available

Product Specifications:

- None Available

Application Specifications:

- 2.8-mm Terminal System (Sealed and Unsealed) (PDF, English)

Instruction Sheets:

- None Available

CAD Files:

- None Available

Additional Information:

- Product Line Information

Related Products:

- Tooling

[List all Documents](#)

Product Features (Please use the Product Drawing for all design activity)

Product Type Features:

- Product Line = Timer Products
- Series = 2.5 mm System, USCAR
- Product Type = Contact
- Termination Method to Wire/Cable = Crimp
- Wire/Cable Type = Discrete Wire
- Insulation Support = With

Termination Features:

- Wire/Cable Size (AWG) = 14 - 16
- Wire/Cable Size (mm²) = 1.25 - 2

Dimensions:

- Mating Area Interface Dimensions (mm [in]) = 2.79 x 0.79 [.110 x .031]

Body Features:

- Single Wire Sealing System = No

Contact Features:

- Contact Type = Tab
- Contact Base Material = Copper Alloy
- Contact Plating, Mating Area, Material = Matte Tin
- Contact Plating, Mating Area, Thickness (µm [µin]) = 0.8 [31.49]

Configuration Features:

- GET 0.64 Connector System = No

Industry Standards:

- RoHS/ELV Compliance = RoHS compliant, ELV compliant
- Lead Free Solder Processes = Not relevant for lead free process
- RoHS/ELV Compliance History = Always was RoHS compliant

Environmental:

- Operating Temperature (°C [°F]) = 125 [257]

Conditions for Usage:

- Applies To = Wire/Cable
- Accepts Wire Insulation Diameter, Range (mm [in]) = 1.89 - 2.70 [0.074 - 0.106]

Operation/Application:

- Application Use = Wire-to-Wire

Packaging Features:

- Packaging Method = Standard Reeling
- Packaging Quantity = 3,000

Other:

- Brand = TE Connectivity
- Comment = Refer to the application and product specification for additional information.

Corporate Information

- [About TE](#)
- [Investors](#)
- [News Room](#)
- [Supplier Portal](#)
- [Careers](#)
- [Terms & Conditions](#)
- [Privacy Policy](#)

Quick Links

- [Distributor Inventory](#)
- [Product Cross Reference](#)
- [Documents & Drawings](#)
- [Product Compliance Support Center](#)
- [Site Map](#)

Customer Support

- [Email or Chat With Us](#)
- [Find a Phone Number](#)
- [Knowledge Base](#)
- [Manage Your Account](#)

Keep Me Informed

Receive TE News, Events & Technology Updates

Enter your email address

