

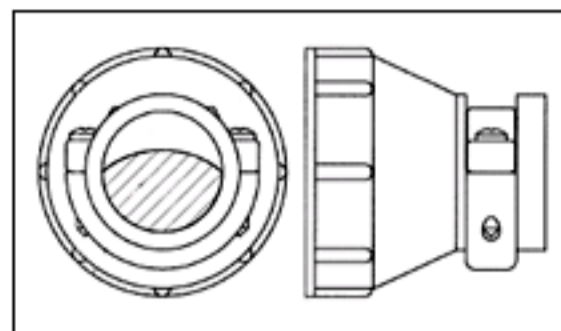


What can we help you find?

Home > Products > Circular Industrial > Product Feature Selector > Product Details

213904-1 Product Details

Share | Print | Email



213904-1

TE Internal Number: 213904-1
Active

View 3D PDF

CPC Accessories

Always EU RoHS/ELV Compliant (Statement of Compliance)

Product Highlights:

- Accessory Type = Cable Clamp
- Shell Size = 17
- Body Style = Straight
- Cable Diameter (Max.) = 11.51 mm
- Nylon Cable Clamp Material

[View all Features](#)

Quick Links

- ▶ Pricing & Availability
- ▶ Search for Tooling
- ▶ Product Feature Selector
- ▶ Contact Us About This Product

[Add to My Part List](#) | [Request Sample](#) | [Find Similar Products](#) | [Buy Product](#)

Documentation & Additional Information

Product Drawings:

- [CABLE CLAMP KIT, STANDARD, UNASSEMBLED, SIZE 17, CPC \(PDF, English\)](#)

Catalog Pages/Data Sheets:

- None Available

Product Specifications:

- None Available

Application Specifications:

- None Available

Instruction Sheets:

- None Available

CAD Files: (CAD Format & Compression Information)

- [2D Drawing \(DXF, Version A\)](#)
- [3D Model \(IGES, Version A\)](#)
- [3D Model \(STEP, Version A\)](#)

[List all Documents](#)

Additional Information:

- [Product Line Information](#)

Additional Product Images:

- [Product Usage](#)
- [Product Usage](#)
- [Product Usage](#)

Related Products:

- [Tooling](#)

Product Features (Please use the Product Drawing for all design activity)

Product Type Features:

- Accessory Type = Cable Clamp
- Shell Size = 17
- Thread Size = 15/16-20

Dimensions:

- Cable Diameter (Max.) (mm [in]) = 11.51 [0.453]

Body Features:

- Body Style = Straight
- Cable Clamp Material = Nylon
- Cover = Without
- Cable Clamp Color = Black
- Cable Clamp Flammability Rating = UL94V-1

Industry Standards:

- RoHS/ELV Compliance = RoHS compliant, ELV compliant
- Lead Free Solder Processes = Not relevant for lead free process
- RoHS/ELV Compliance History = Always was RoHS compliant

Packaging Features:

- Packaging Method = Individual

Other:

- Brand = AMP

Corporate Information

- [About TE](#)
- [Investors](#)
- [News Room](#)
- [Supplier Portal](#)
- [Careers](#)
- [Terms & Conditions](#)
- [Privacy Policy](#)

Quick Links

- [Distributor Inventory](#)
- [Product Cross Reference](#)
- [Documents & Drawings](#)
- [Product Compliance Support Center](#)
- [Site Map](#)

Customer Support

- [Email or Chat With Us](#)
- [Find a Phone Number](#)
- [Knowledge Base](#)
- [Manage Your Account](#)

Keep Me Informed

Receive TE News, Events & Technology Updates

Enter your email address

