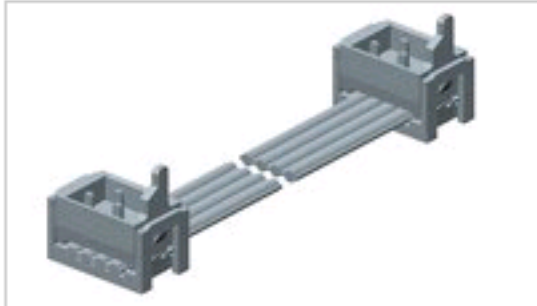




2205066-3 Product Details

[Share](#) | [Print](#) | [Email](#)


✓ Active

Cable Assemblies

CA MICRO-MATCH MOW-MOW 16POS

2205066-3

TE Internal Number: 2205066-3

Product Highlights [View All](#)

- Industry Standard Cable Assembly Category
- Cable Assembly Type = MOW to MOW
- Input/Output (I/O) Application
- Assembly Type = 16 Position to 16 Position
- Length = .20 M

[Pricing & Availability](#)

[Request Sample](#)

[Add to My Part List](#)

[Buy Product through Distributor](#)

Feedback

[Documents](#) | [Features](#) | [Compliance](#)

Please Note:

Use the Product Drawing for all design activity

Product Type Features	
Cable Assembly Category	Industry Standard
Cable Assembly Type	MOW to MOW
Assembly Type	16 Position to 16 Position
Color	Gray
Keyed	No
Electrical Characteristics	
Insulation Resistance (MΩ)	100
Dimensions	
Length (M [ft])	0.20 [0.656]
Body Features	
Equalized	Yes
Cable Exit Type	Straight to Straight
Configuration Features	
Configuration	Double Ended
Number of Positions	16

Industry Standards	
Flammability Rating	UL 2651
RoHS/ELV Compliance	RoHS compliant, ELV compliant
Lead Free Solder Processes	Not reviewed for lead free solder process
RoHS/ELV Compliance History	Always was RoHS compliant
Conditions for Usage	
Wire Size - Details	28 AWG
Operation/Application	
Application	Input/Output (I/O)
Product Availability	
Region	EMEA
Other	
Brand	TE Connectivity

Related Products

Not quite the product you're looking for?

[Find Similar Products](#)

[View Part in Product Feature Selector](#)

[Check for Tooling](#)

Corporate Information

- [About TE](#)
- [Investors](#)
- [News Room](#)
- [Supplier Portal](#)
- [Careers](#)
- [Terms & Conditions](#)
- [Privacy Policy](#)
- [Global Accessibility Statement](#)

Quick Links

- [Distributor Inventory](#)
- [Product Cross Reference](#)
- [Documents & Drawings](#)
- [Product Compliance Support Center](#)
- [Site Map](#)

Customer Support

- [Email or Chat With Us](#)
- [Find a Phone Number](#)
- [Knowledge Base](#)
- [Manage Your Account](#)

Keep Me Informed

