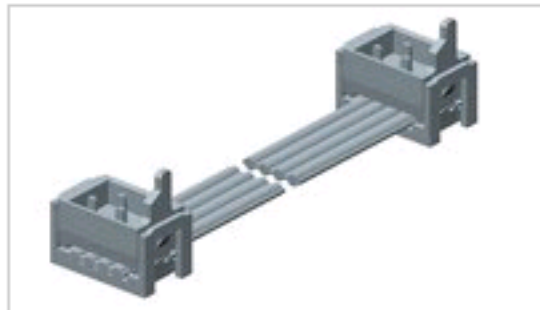


2205062-3 Product Details

[Share](#) | [Print](#) | [Email](#)


Active

Cable Assemblies

CA MICRO-MATCH MOW-MOW 8POS

2205062-3

TE Internal Number: 2205062-3

Product Highlights [View All](#)

- Industry Standard Cable Assembly Category
- Cable Assembly Type = MOW to MOW
- Input/Output (I/O) Application
- Assembly Type = 8 Position to 8 Position
- Length = .20 M

- [Pricing & Availability](#)
- [Request Sample](#)
- [Add to My Part List](#)
- [Buy Product through Distributor](#)

Feedback

[Documents](#) | [Features](#) | [Compliance](#)

Please Note:

Use the Product Drawing for all design activity

Product Type Features	
Cable Assembly Category	Industry Standard
Cable Assembly Type	MOW to MOW
Assembly Type	8 Position to 8 Position
Color	Gray
Keyed	No
Electrical Characteristics	
Insulation Resistance (MΩ)	100
Dimensions	
Length (M [ft])	0.20 [0.656]
Body Features	
Equalized	Yes
Cable Exit Type	Straight to Straight
Configuration Features	
Configuration	Double Ended
Number of Positions	8

Industry Standards	
Flammability Rating	UL 2651
RoHS/ELV Compliance	RoHS compliant, ELV compliant
Lead Free Solder Processes	Not reviewed for lead free solder process
RoHS/ELV Compliance History	Always was RoHS compliant
Conditions for Usage	
Wire Size - Details	28 AWG
Operation/Application	
Application	Input/Output (I/O)
Product Availability	
Region	EMEA
Other	
Brand	TE Connectivity

Related Products

Not quite the product you're looking for?

[Find Similar Products](#)

[View Part in Product Feature Selector](#)

[Check for Tooling](#)