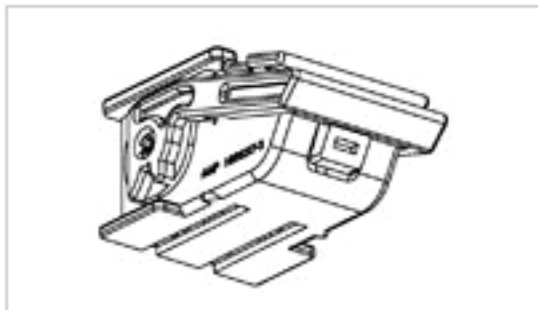


1-968317-3 Product Details

[Share](#) | [Print](#) | [Email](#)


Micro-Power & Power Quadlok System

MQS ABDECKKAPPE 24P

1-968317-3

TE Internal Number: 1-968317-3

Active

[View 3D PDF](#)

Product Highlights [View All](#)

- Accessory
- Accessory Type = Shield
- 24 Positions
- Shield Color = Black
- PBT GF 15 Shield Material

[Pricing & Availability](#)

[Request Sample](#)

[Add to My Part List](#)

[Buy Product through Distributor](#)

Feedback

[Documents](#) | [Features](#) | [Compliance](#)

Please Note:
Use the Product Drawing for all design activity

Product Type Features	
Product Type	Accessory
Accessory Type	Shield
Body Features	
Shield Color	Black
Shield Material	PBT GF 15
Configuration Features	
Number of Positions	24
Shield Style	With Lever

Industry Standards	
RoHS/ELV Compliance	RoHS compliant, ELV compliant
Lead Free Solder Processes	Not relevant for lead free process
RoHS/ELV Compliance History	Always was RoHS compliant
Other	
Brand	AMP

Related Products

Not quite the product you're looking for?
[Find Similar Products](#)

[View Part in Product Feature Selector](#)

[Check for Tooling](#)

Corporate Information

- [About TE](#)
- [Investors](#)
- [News Room](#)
- [Supplier Portal](#)
- [Careers](#)
- [Terms & Conditions](#)
- [Privacy Policy](#)
- [Global Accessibility Statement](#)

Quick Links

- [Distributor Inventory](#)
- [Product Cross Reference](#)
- [Documents & Drawings](#)
- [Product Compliance Support Center](#)
- [Site Map](#)

Customer Support

- [Email or Chat With Us](#)
- [Find a Phone Number](#)
- [Knowledge Base](#)
- [Manage Your Account](#)

Keep Me Informed