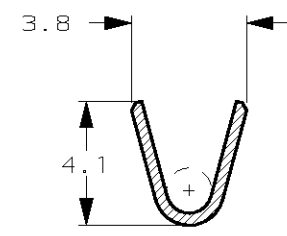
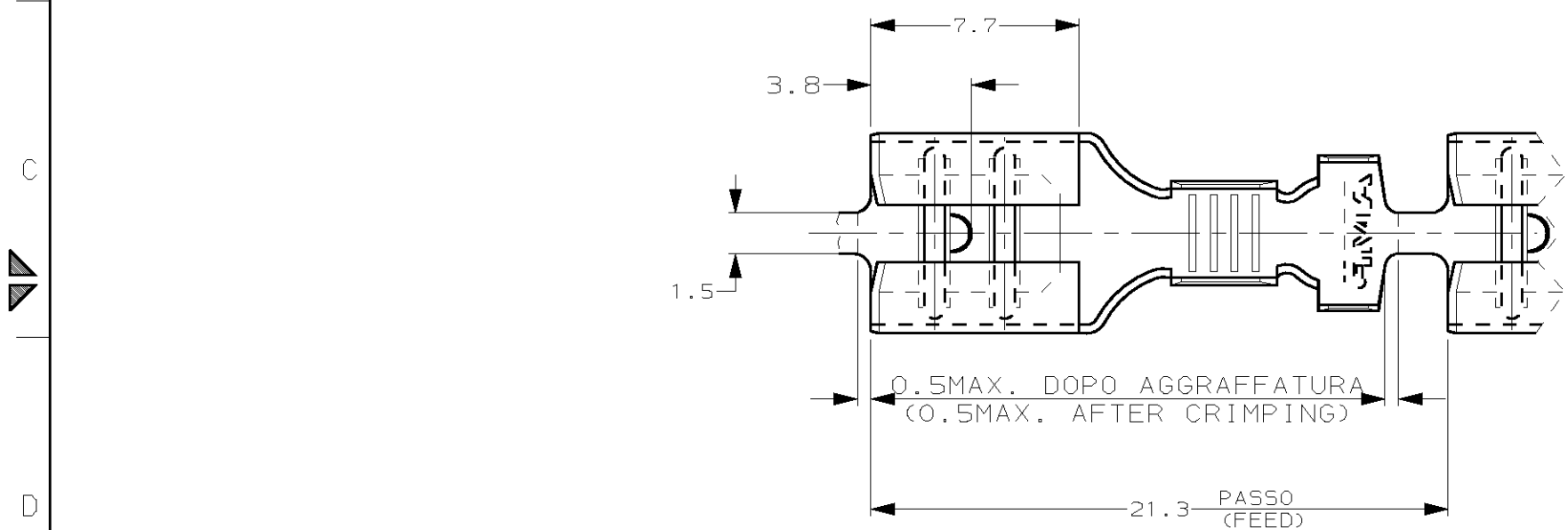
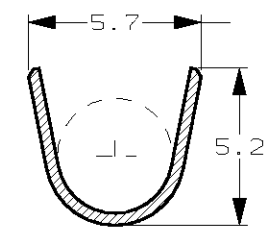


**SEZIONE A-A (SECTION A-A)**

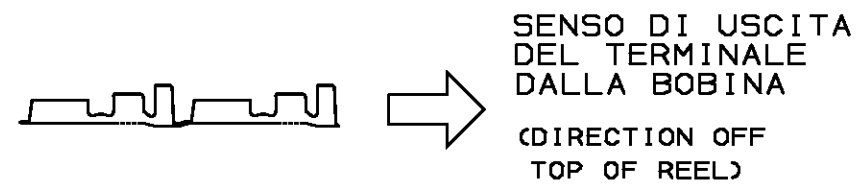


**SEZIONE B-B (SECTION B-B)**



- 1 BOBINATO CON CARTA INTERPOSTA (REELED WITH INTERLEAVE PAPER STRIP).
- 2) SPECIFICA DI PRODOTTO 108-20019. (PRODUCT SPEC. 108-20019)  
SPECIFICA DI AGGRAFFATURA 114-20023. (APPLICATION SPEC. 114-20023).
- 3 P/N CON ALTA FORZA DI ESTRAZIONE (SUITABLE FOR HIGHER EXTRACTION FORCE APPLICATION).

**STATO DI FORNITURA -SCALA 1:1**  
 (SUPPLYING CONDITION -SCALE 1:1-)



		1	STAGNATO (TIN PLTD)	OTTONE (BRASS)	1-280001-3	AH
		2	STAGNATO (TIN PLTD)	OTTONE (BRASS)	1-280001-2	AH
		3	NUDO (UNPLATED)	OTTONE (BRASS)	1-280001-1	AH
			NUDO (UNPLATED)	OTTONE (BRASS)	1-280001-0	AG
			STAGNATO (TIN PLTD)	OTTONE (BRASS)	0-280001-9	AG
PEZZO SCIOLTO P/N (LOOSE PIECE P/N)	NOTE		FINITURA / COLORE (FINISH / COLOUR)	MATERIALE (MATERIAL)	NUMERO (AMP P/N)	REV.
			<b>CUSTOMER DWG. FOR REFERENCE ONLY</b>		<b>DISEGNO PER CLIENTE SOLO PER RIFERIMENTO</b>	
			THIS DRAWING IS UNPUBLISHED		RELEASE FOR PUBLICATION	19
			© COPYRIGHT 19 BY AMP INCORPORATED, HARRISBURG, PA. ALL INTERNATIONAL RIGHT RESERVED. AMP PRODUCTS MAY BE COVERED BY U.S. AND FOREIGN PATENT AND/OR PATENT PENDING			
AH3	CORRECTED PART REV. TABLE ET00-0015-05	H.Y.	14 JAN 05	TOLLERANZE: SE NON DIVERSAMENTE SPECIFICATO (TOLERANCES: UNLESS OTHERWISE SPECIFIED)	DIAM. ISOLANTE (INS. DIA. RANGE)	RANGO FILO (WIRE RANGE)
AH2	ADDED NEW PARTS ET00-0019-01	H.Y.	25 JAN 01		3-4.3 mm	1.0-2.5 mm <sup>2</sup>
AH1	ADDED NEW PARTS ET00-0238-00	H.Y.	21 SEP 00		± 0.3	
AH	OBSOLETE PARTS ET00-0309-99	H.Y.	08 MAR 00	ANGOLI (ANGLES)	± 2°	
AG	REVISED FOR ET00-0058-00	R.F.	30 MAR 00			
AE1	REVISED FOR ET00-0298-99	H.Y.	28 SEP 99	DIS. 4 JUL 96 (DR.) A. FROLA	DESCRIZIONE (DESCRIPTION) <b>FASTON® Connector .250" sr. REC. CONTACT</b>	
AE	RIDISEGNATO A CAD (REDRAWN BY CAD) ET00-0309-96	A.F.	YC.T.	CONT. 4 JUL 96 (CHK) C. TARTARI	LOC. SIZE	NUMERO (DWG NO)
H	RIVISTO		15-1-88	APP. (APP.)	I A3	C-280001
REV. (REV. LTR.)	REVISIONI (REVISION RECORD)	DIS. (DR)	DATA (DATE)	APP. (APP.)	REV. (REV.)	FOGLIO (SHEET)
						DI (OF) 1