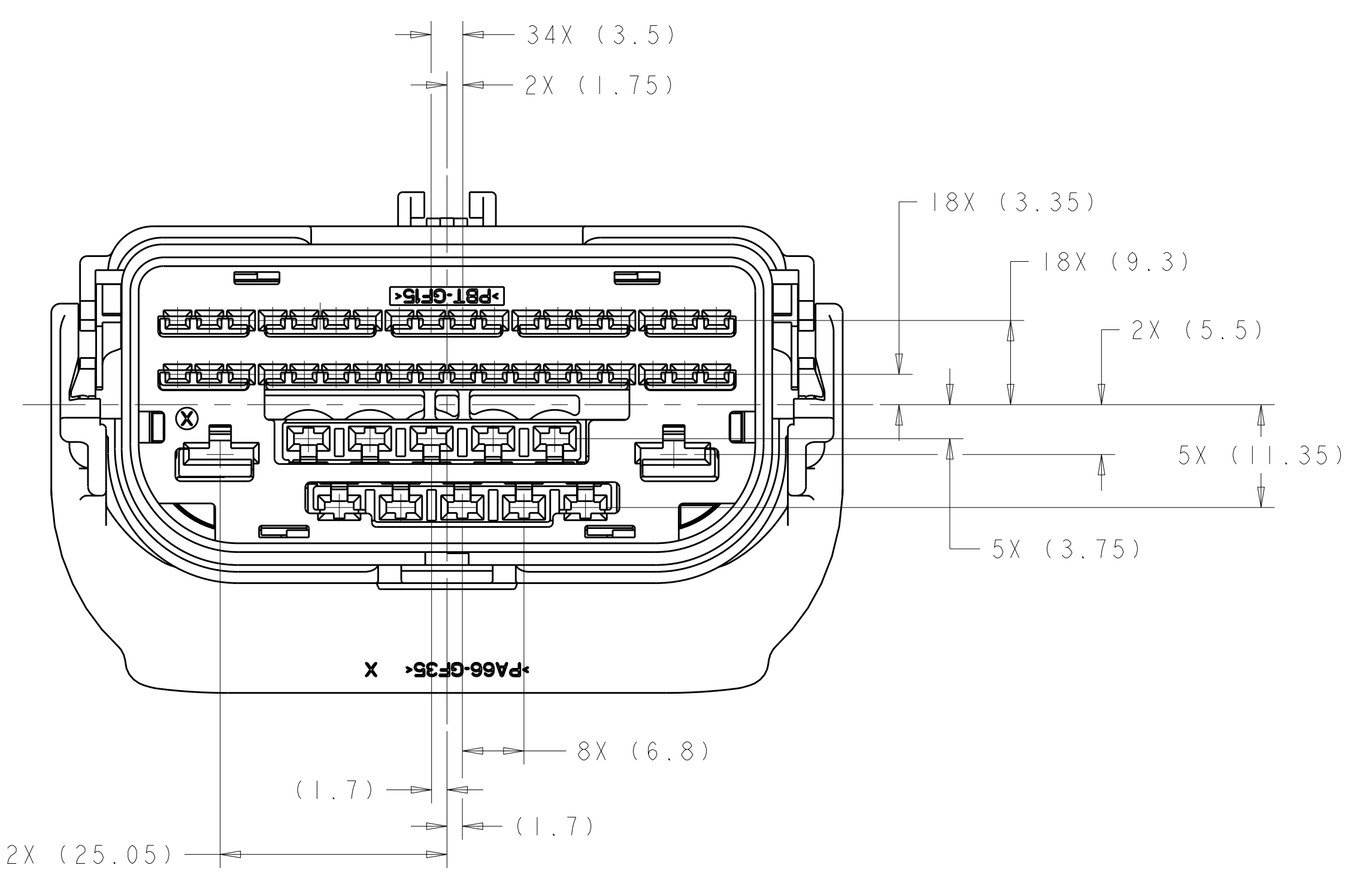
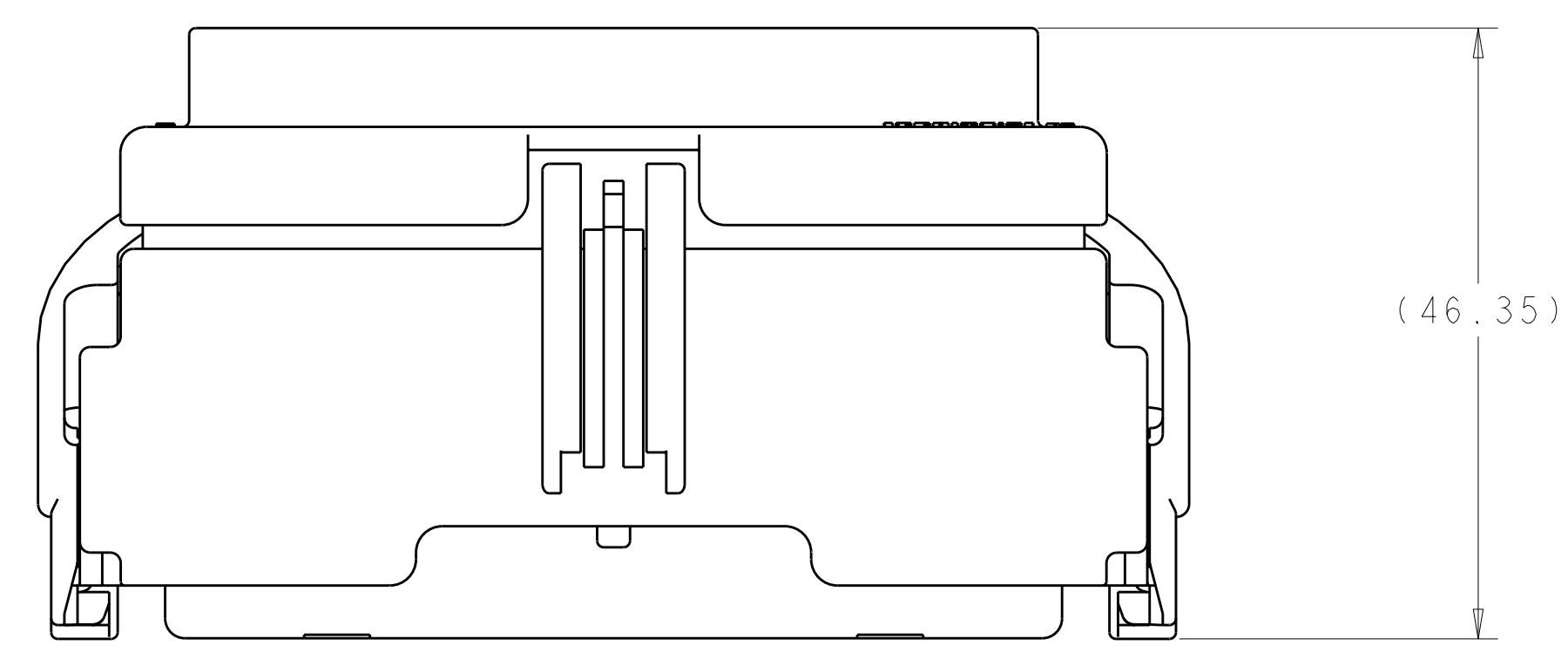
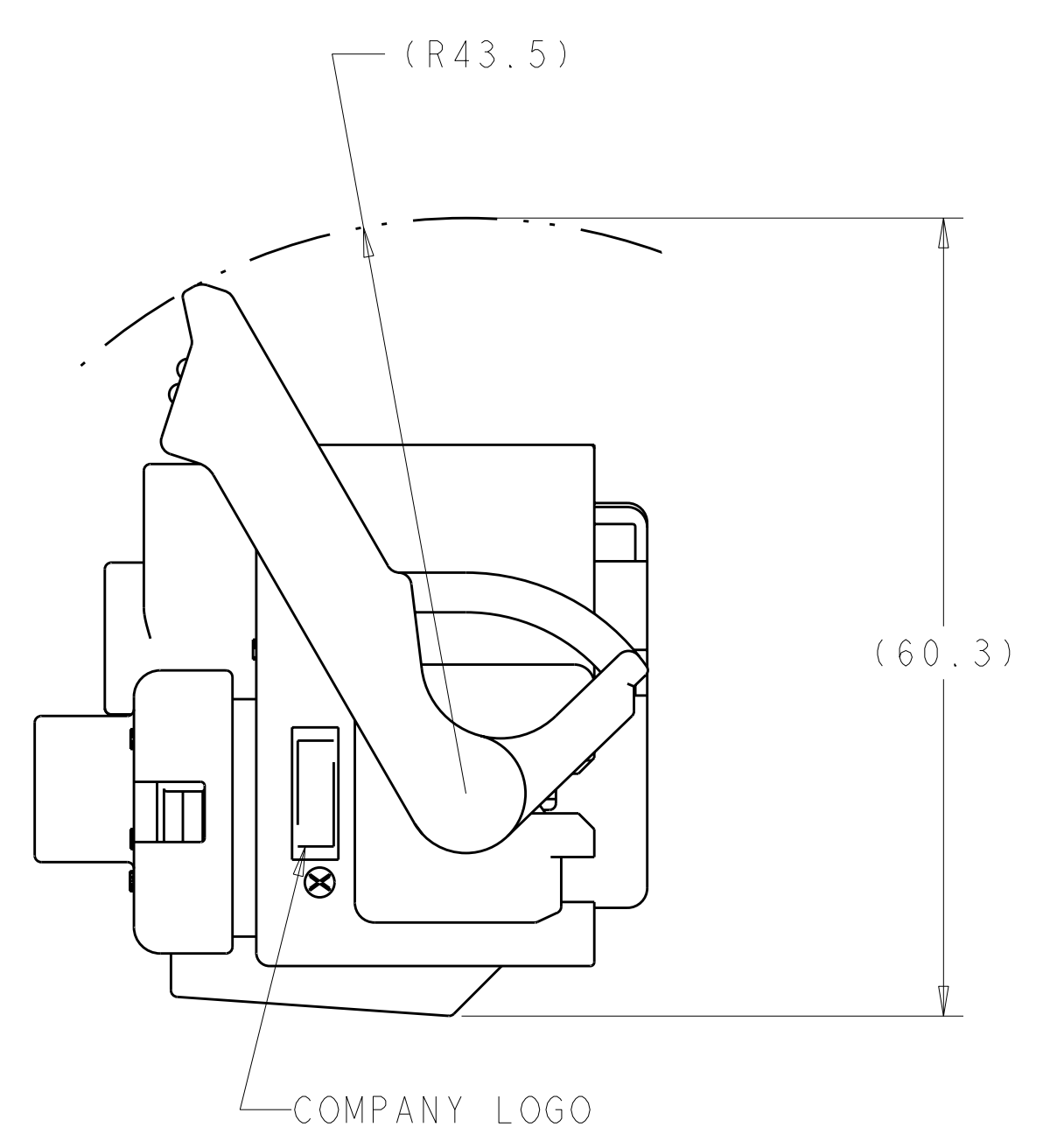
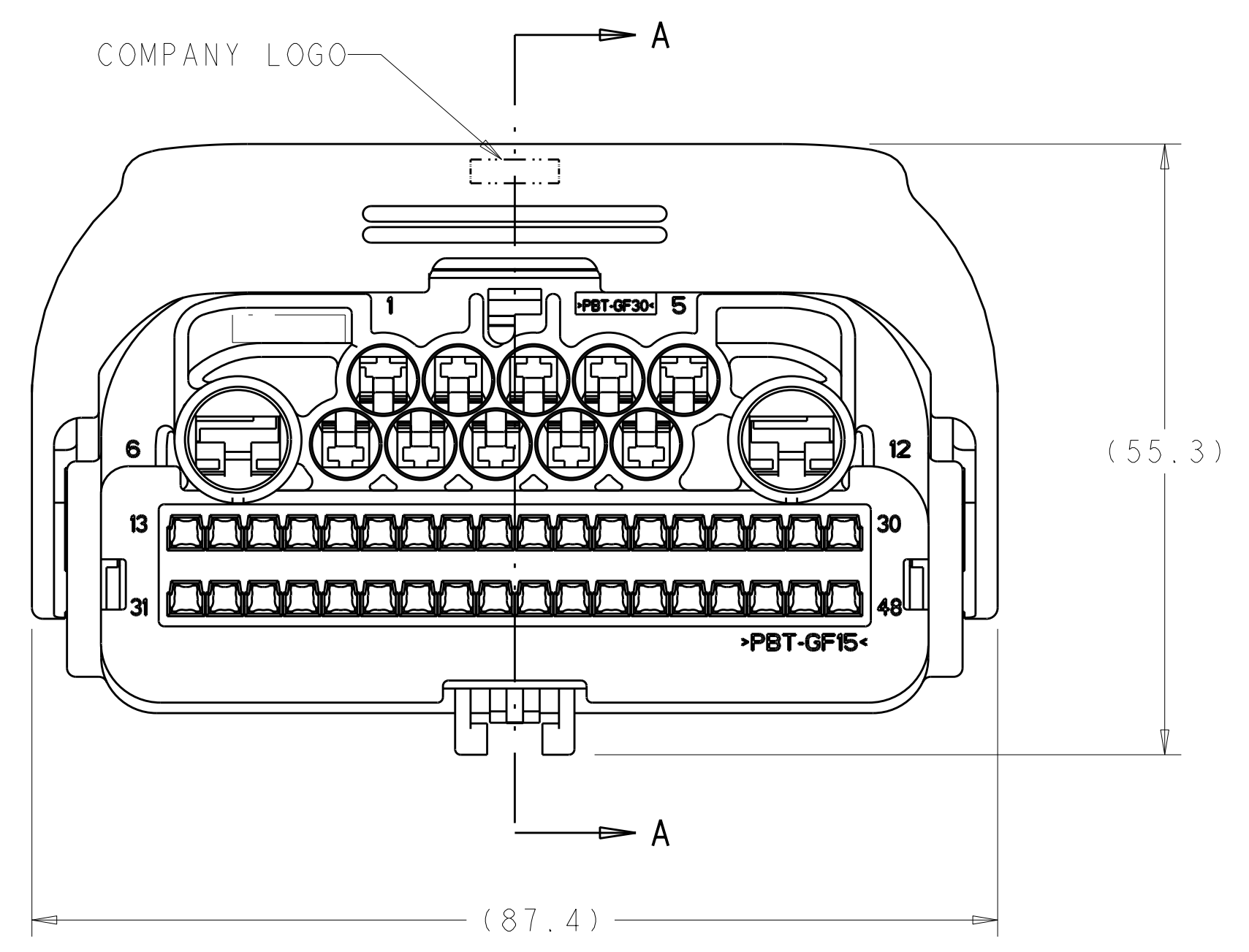
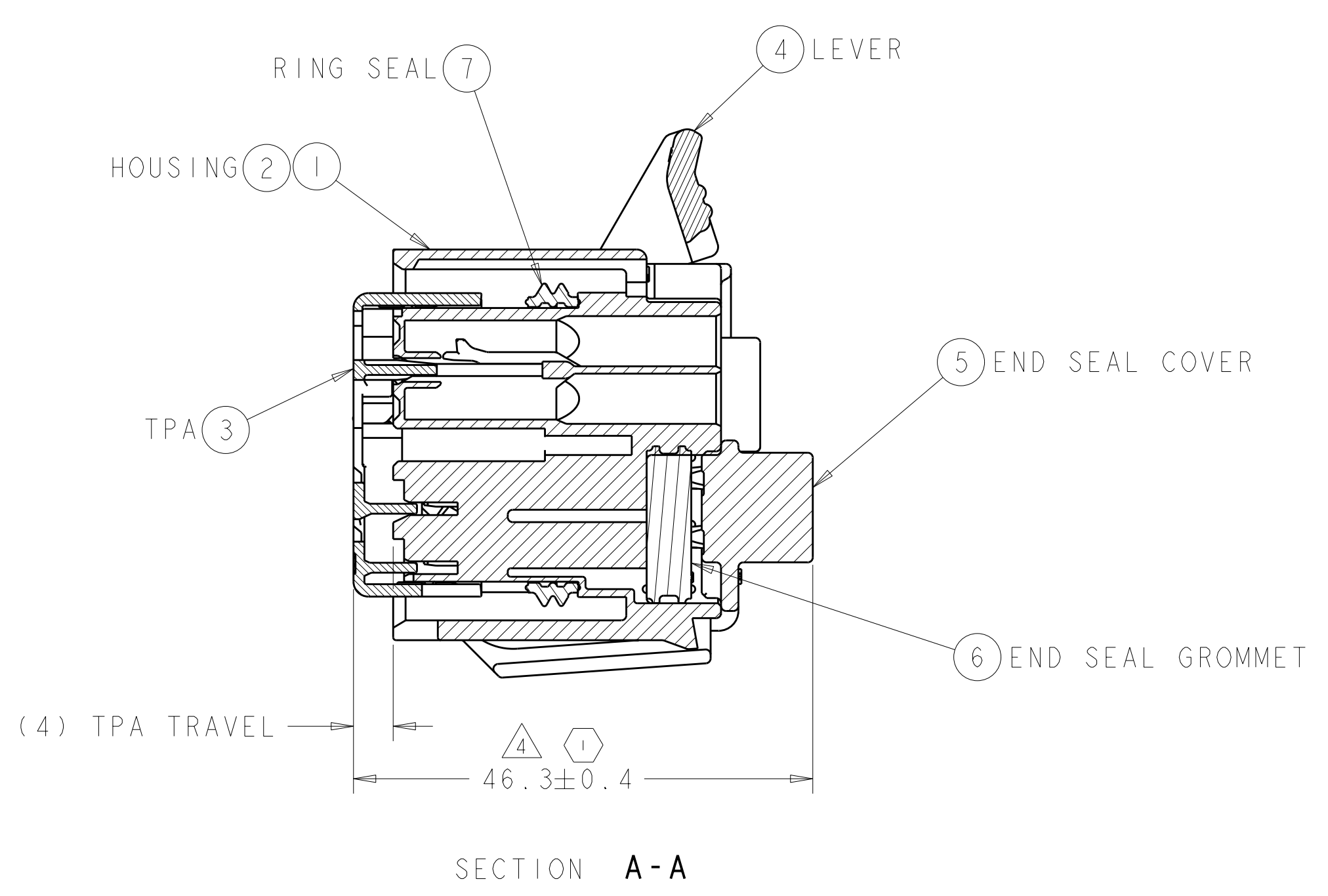


REV	DATE	DESCRIPTION	BY	CHK	APPV
A6	20050204	REVISED PER ECR 06-023224			MHB
A7	20050204	REVISED PER ECO-08-023957			DLD
A8	20050204	REVISED PER ECO-09-002881			DLD
A9	20050204	REV PER ECR-10-016163			SM

BOM								
QUANTITY		ITEM	DESCRIPTION	SUPPLIER PART NUMBER	MATERIAL SPECIFICATION	RECYCLING CODE	COLOR	WEIGHT (GRAM)
INDEX B	INDEX A							
-	1	1	HOUSING, KEYING OPTION "A"	1438529-1	30% GF PBT	PBT-GF30	BLACK	49.3g
1	-	2	HOUSING, KEYING OPTION "B"	1438529-2	30% GF PBT	PBT-GF30	NATURAL	49.3g
1	1	3	TPA	1438531-1	15% GF PBT	PBT-GF15	RED	5.3g
1	1	4	LEVER	1587130-1	35% GF NYLON	PA66-GF35	LIGHT GRAY	7.0g
1	1	5	END SEAL COVER	1438533-1	15% GF PBT	PBT-GF15	BLACK	6.3g
1	1	6	END SEAL GROMMET	776553-1	SILICON	VMQ	LT. BLUE	4.4g
1	1	7	RING SEAL	1587133-1	SILICON	VMQ	DARK BLUE	1.4g



APPLICABLE COMPONENTS (FOR REFERENCE ONLY)				APPLICABLE WIRE SIZES (FOR REFERENCE ONLY)†	COMPONENT MATING PART NUMBER
DESCRIPTION	COLOR/PLATING	SUPPLIER	SUPPLIER PART NUMBER		
CAVITY PLUG - 6.3mm	GREEN	YAZAKI	7158-3080-60	N/A	N/A
CAVITY PLUG - 2.8mm	BLUE	YAZAKI	7158-3114-90	N/A	N/A
TERMINAL - FEMALE 1.5mm	TIN	TYCO	638652-1	16 AWG OR METRIC EQUIVALENT	1488657-1
TERMINAL - FEMALE 1.5mm	TIN	TYCO	638652-2	18-20 AWG OR METRIC EQUIVALENT	1488657-2
TERMINAL - FEMALE 2.8mm	TIN	TYCO	1326032-2	20 AWG OR METRIC EQUIVALENT	1326031-2
TERMINAL - FEMALE 2.8mm	TIN	TYCO	1326032-3	18 AWG OR METRIC EQUIVALENT	1326031-3
TERMINAL - FEMALE 2.8mm	TIN	TYCO	1326032-4	16 AWG OR METRIC EQUIVALENT	1326031-4
TERMINAL - FEMALE 2.8mm	TIN	TYCO	1326032-5	14 AWG OR METRIC EQUIVALENT	1326031-5
TERMINAL - FEMALE 2.8mm	TIN	TYCO	1326032-6	12 AWG OR METRIC EQUIVALENT	1-1326031-1
CABLE SEAL - 2.8mm	GREEN	YAZAKI	7158-3111-60	1.2-1.9mm WIRE O.D.	N/A
CABLE SEAL - 2.8mm	YELLOW	YAZAKI	7158-3112-70	1.8-2.3mm WIRE O.D.	N/A
CABLE SEAL - 2.8mm	WHITE	YAZAKI	7158-3113-40	2.1-3.0mm WIRE O.D.	N/A
CABLE SEAL - 2.8mm	LT GRAY	YAZAKI	7158-3110-40	3.1-3.3mm WIRE O.D.	N/A
TERMINAL - FEMALE 6.3mm	TIN	YAZAKI	7116-4140-02	20-16 AWG OR METRIC EQUIVALENT	7114-4140-02
TERMINAL - FEMALE 6.3mm	TIN	YAZAKI	7116-4141-02	14 AWG OR METRIC EQUIVALENT	7114-4141-02
CABLE SEAL - 6.3mm	RED	YAZAKI	7158-3081-50	1.4-2.3mm WIRE O.D.	N/A
CABLE SEAL - 6.3mm	BLUE	YAZAKI	7158-3082-90	2.1-3.0mm WIRE O.D.	N/A
CABLE SEAL - 6.3mm	BLACK	YAZAKI	7158-3083	3.0-3.8mm WIRE O.D.	N/A
ANTI-ROTATION CLIP	BLACK	TYCO	1437839-1	N/A	N/A

NOTE: SEE SUPPLIER DRAWINGS FOR LATEST INFORMATION AND CRIMP SPECIFICATIONS

- PRODUCT QUALIFICATION PER USCAR-2, REV 4 REFERENCE DVP&R B046819-DVPR-03, WITH THE FOLLOWING EXCEPTIONS:
 - 5.4.5.3: MIN FORCE REQUIRED TO REMOVE TPA FROM HOUSING IS 15N.
 - 5.4.3.3: MIN FORCE TO REMOVE CONNECTORS FROM PRE-MATE CONDITION IS 10N.
 - PRINT JULIAN DATE CODE (YYDDD), 4 DIGIT PART NUMBER CODE (28**) IN THIS LOCATION AT ASSEMBLY. ** REPRESENTS ASSEMBLY DASH NUMBER. LOCATION TBD.
 - MATES WITH ASSEMBLY SHOWN ON DRAWING 776729.
- △ TPA SHOWN IN PRE-SET POSITION. SEE TYCO INSTRUCTION SHEET 408-8957 FOR PROPER POSITIONING OF TPA, AND TYCO INSTRUCTION SHEET 408-8929 FOR APPLICATION USE OF THE CONNECTOR SYSTEM.

DATE: 13JUL2005	BY: VESTAL	DATE: 13JUL2005	BY: COBLE	DATE: 13JUL2005	BY: COBLE
DIMENSIONS: DIMENSIONS IN MILLIMETERS UNLESS OTHERWISE SPECIFIED			MATERIAL: FINISH: ANGLE: RETENT: 73.6g		
TYPICAL DIMENSIONS: DIMENSIONS IN MILLIMETERS UNLESS OTHERWISE SPECIFIED			CUSTOMER DRAWING		
SCALE: 1:1			SHEET 1 OF 2		
REV: A0			REV: A9		

TYCO Electronics Harrisburg, PA 17105-3608

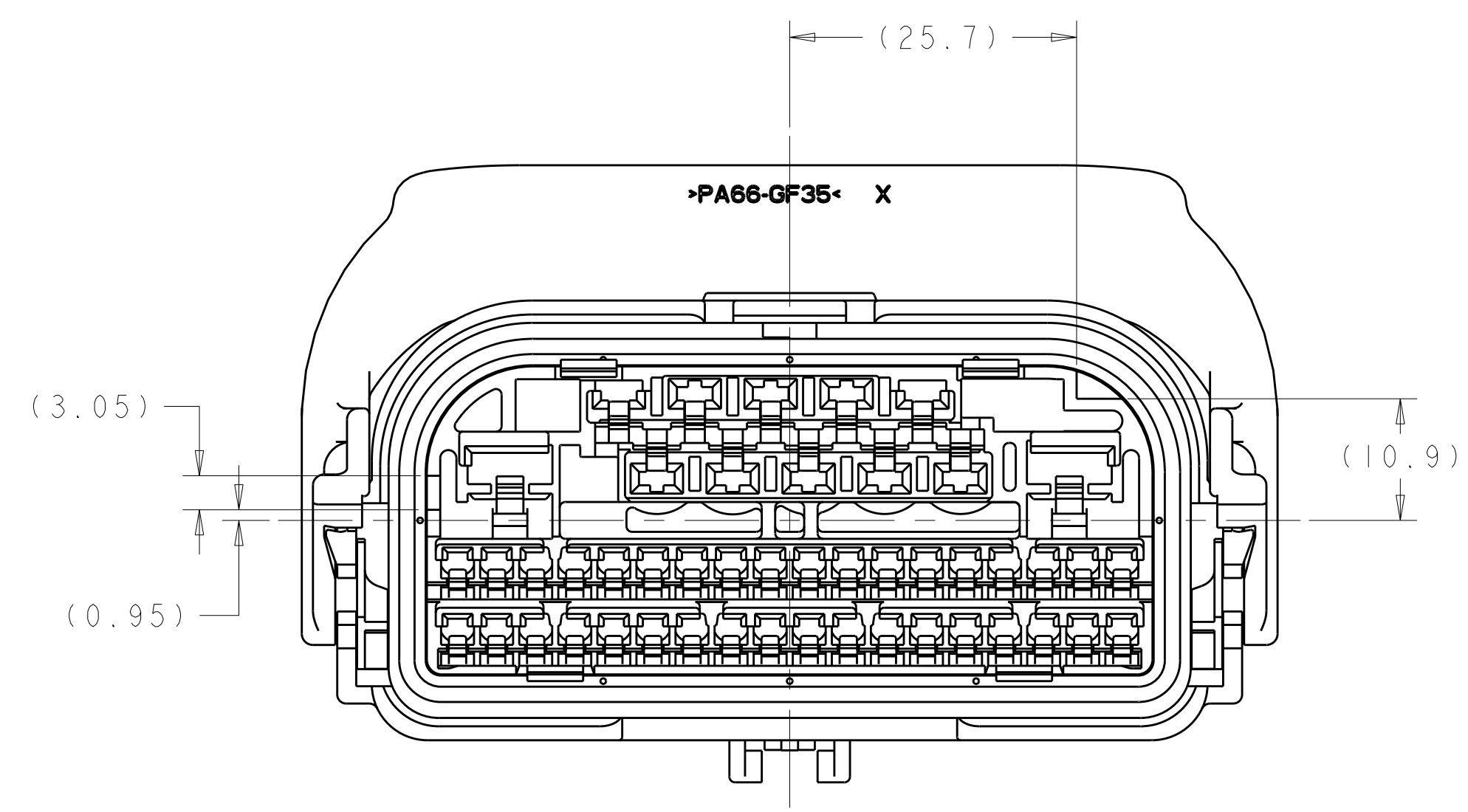
48-WAY, SEALED HYBRID, FEMALE, PLUG ASSEMBLY

00779 ©=776728

REV	DATE	DESCRIPTION	BY	APPD
1	19JUL2005	SEE SHEET 1		

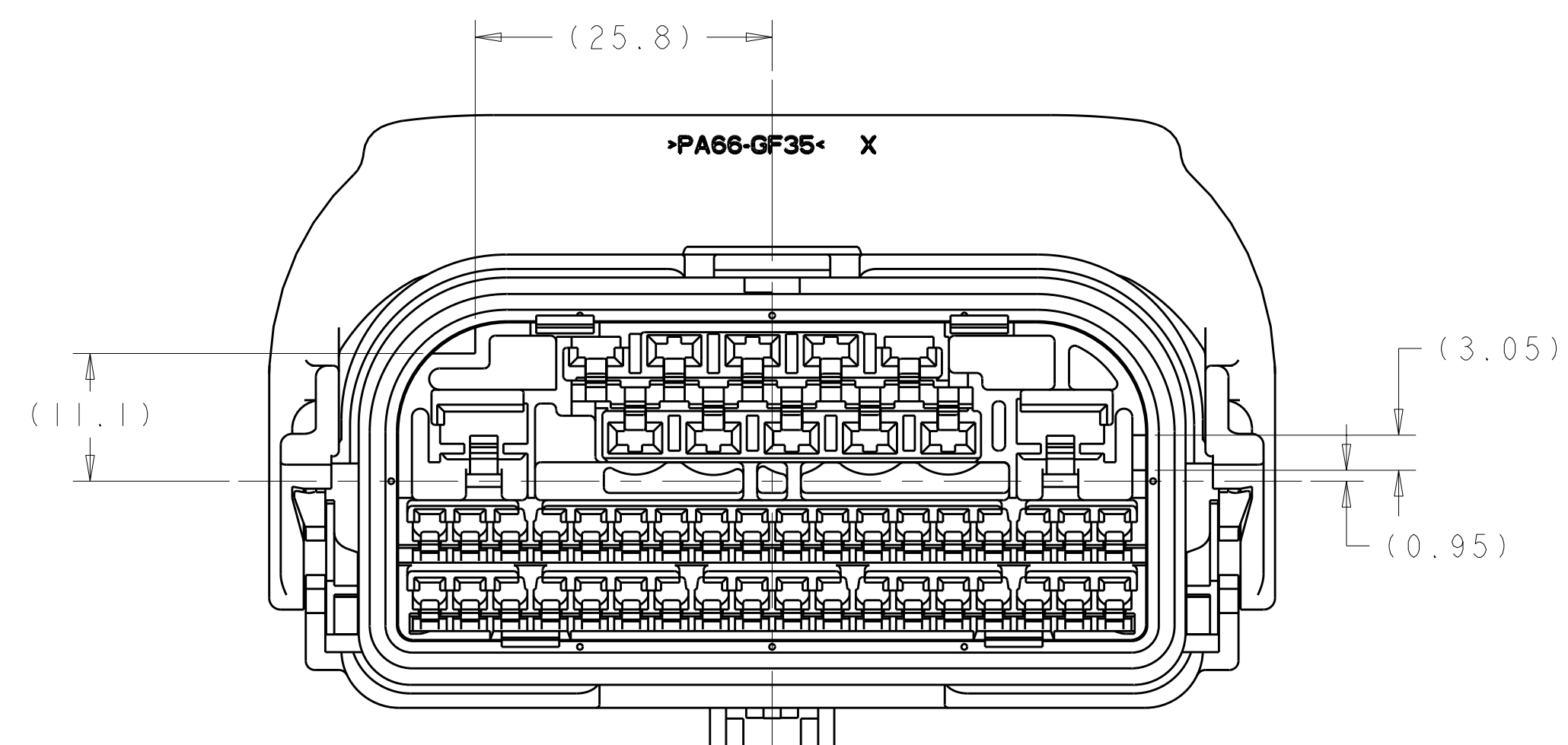
FEMALE HOUSING ASSEMBLY

INDEX A
COLOR: BLACK

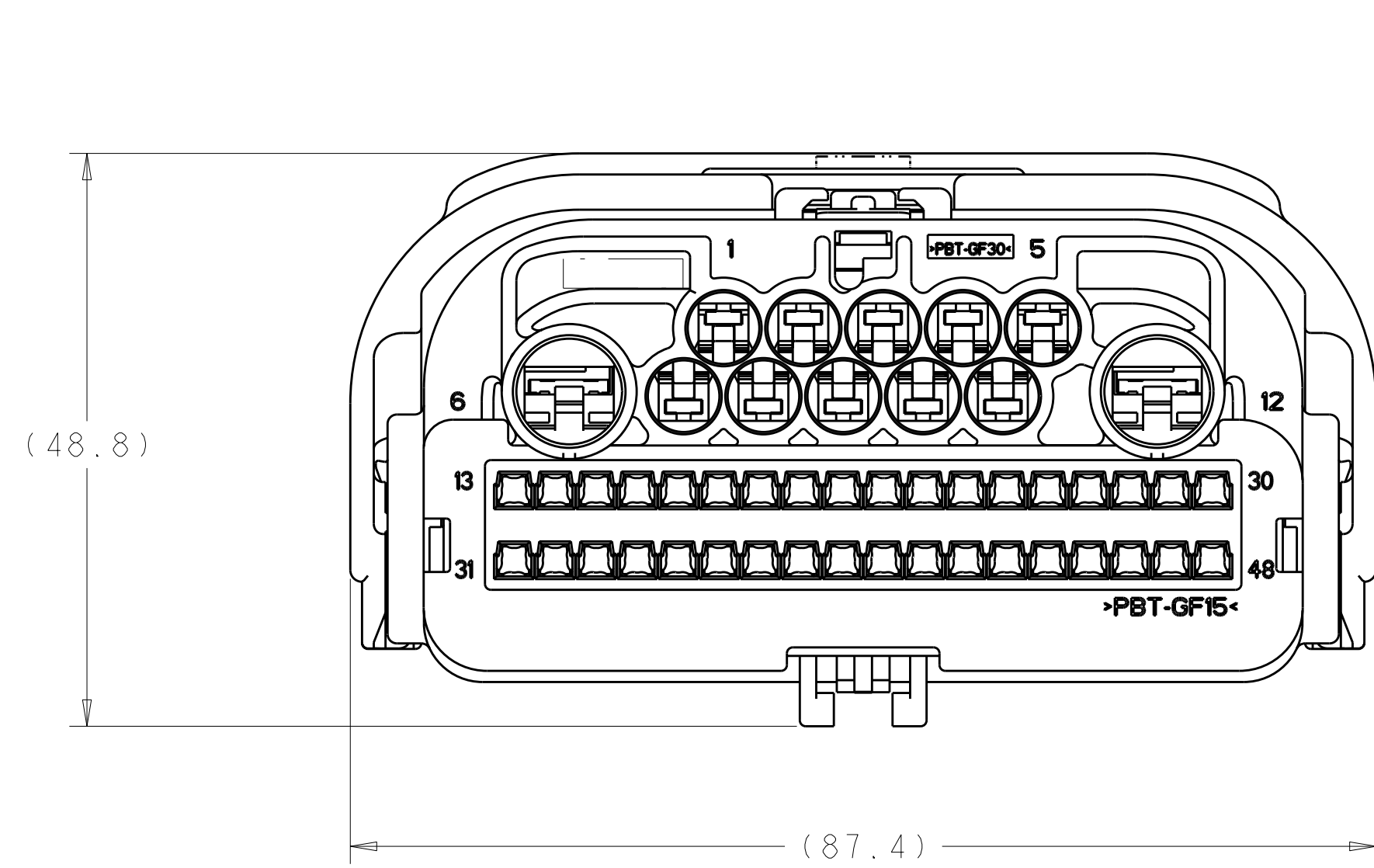


(TPA NOT SHOWN)

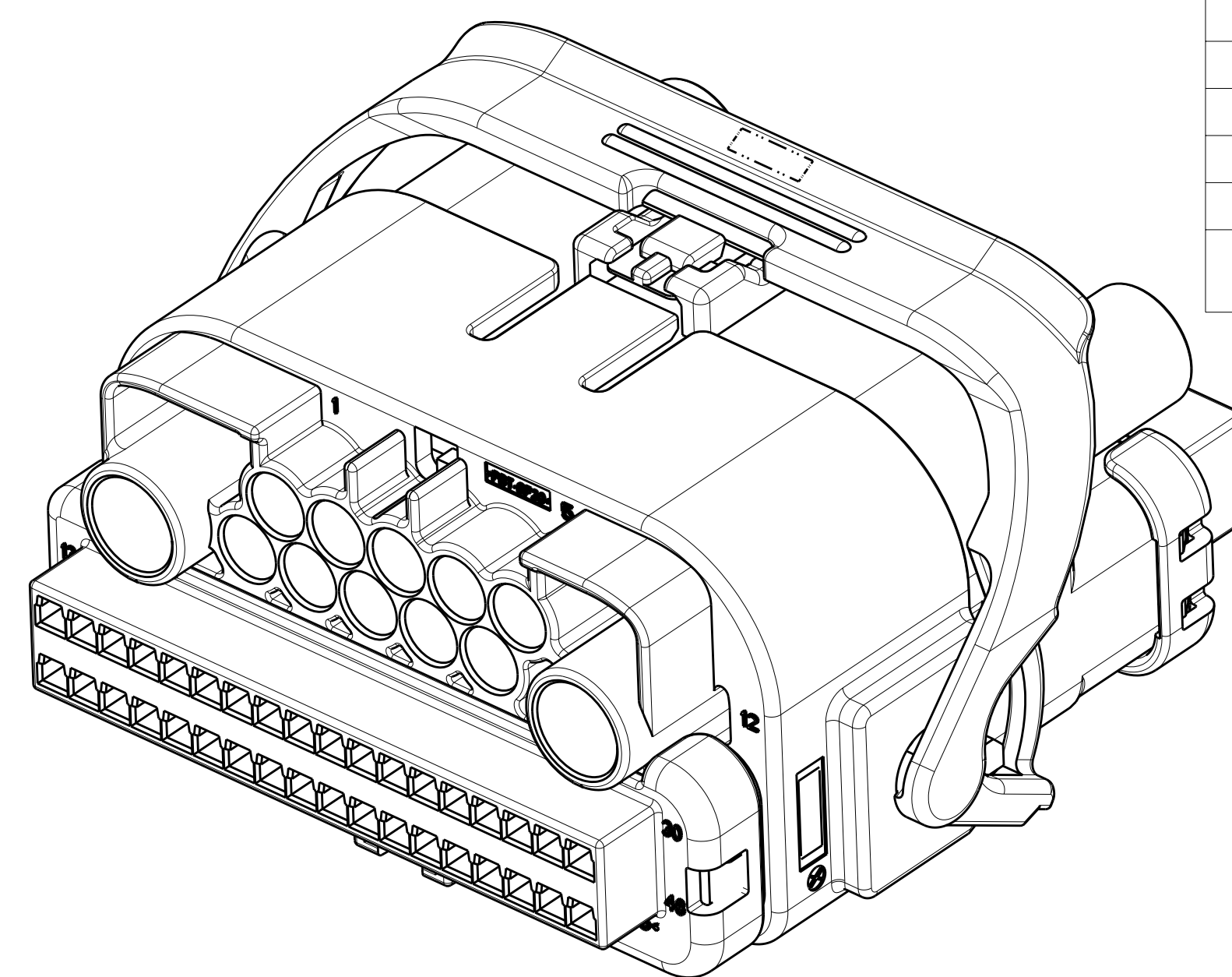
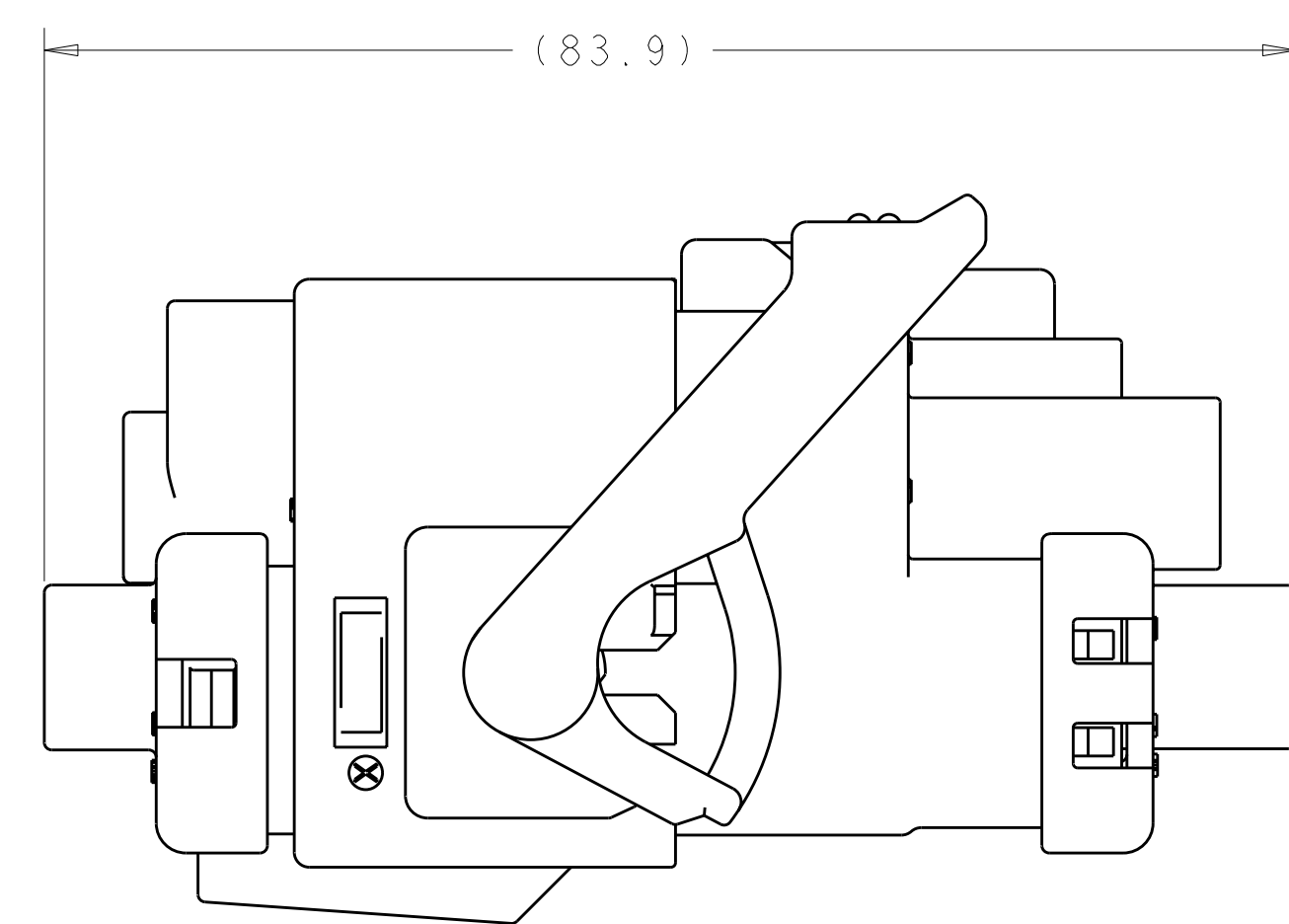
INDEX B
COLOR: NATURAL



(TPA NOT SHOWN)



MATED ASSEMBLY



FEMALE CONNECTOR (PLUG) COVER HOLE PLUG CONFIGURATION

PART NUMBER	COVER HOLE PLUG CONFIGURATION	KEY
776728-1		A
776728-2		B
776728-3	15	A
776728-4	13	B
776728-5	13	B
776728-6	13	B
776728-7	13 14 15 16 17 18 19 21 23 24 25 26 28	A
776728-8	14 15 17 19 24 28	A
776728-9	13	B
1-776728-0		B
1-776728-1	15 16 20 26 27 31	A
1-776728-2	15 26 27	A
1-776728-3	15 16 20 21 22 26 27 31	A
1-776728-4	14 15 17 18 24 25 26 28 29 30 31	A
1-776728-5	14 15 17 18 24 25 26 28 29 30 31 32	A
1-776728-6	14 15 18 24 28 31	A
1-776728-7	14 15 18 24 28 31 32	A
1-776728-8	15 18 24 32	A
1-776728-9	15 18 24	A
2-776728-0	15 19 20 21 24	A
2-776728-1	15 24	A
2-776728-2	15 17 24 28	A
2-776728-3	14 15 17 18 19 20 21 24 25 26 28 29 30 31 32 33 34 35	A
2-776728-4	15 17 19 20 21 24 28 33 34	A
2-776728-5	15 17 18 19 20 21 24 28 32 33 34 35	A
2-776728-6	15 17 19 20 21 24 28 32 33 34 35	A
2-776728-7	13 14 15 17 19 21 24 26 27 28 30 31 32 33 34 35 36 37 38 39 40 41 42	B
2-776728-8	14 15 17 19 21 24 26 27 28 34	A
2-776728-9	15 19 20 21 24 31 32 33 34 35 36 37 38 39 40	B
3-776728-0	22	B
3-776728-1	13 22	B
3-776728-2	13 22	B
3-776728-3	27 28	A
3-776728-4	20 21 22 23 24 25 26 27 33 34 35 36 37 38 39 40 41 42 43 44 45 46 47 48	B

CAVITIES WITH A NUMERIC SYMBOL INDICATES CLOSED TERMINAL LOCATIONS
BLANK CAVITIES INDICATES OPEN TERMINAL HOLE LOCATIONS

DATE: 19JUL2005	BY: VESTAL	REV: 1	APPD: TYCO ELECTRONICS
DATE: 19JUL2005	BY: COBLE	REV: 2	APPD: TYCO ELECTRONICS
DATE: 19JUL2005	BY: COBLE	REV: 3	APPD: TYCO ELECTRONICS
DIMENSIONS: 0 P/LC 80.3 1 P/LC 80.3 2 P/LC 80.1 3 P/LC 80.1		MATERIAL: FINISH: 81*	
CUSTOMER DRAWING		SCALE: 2:1	