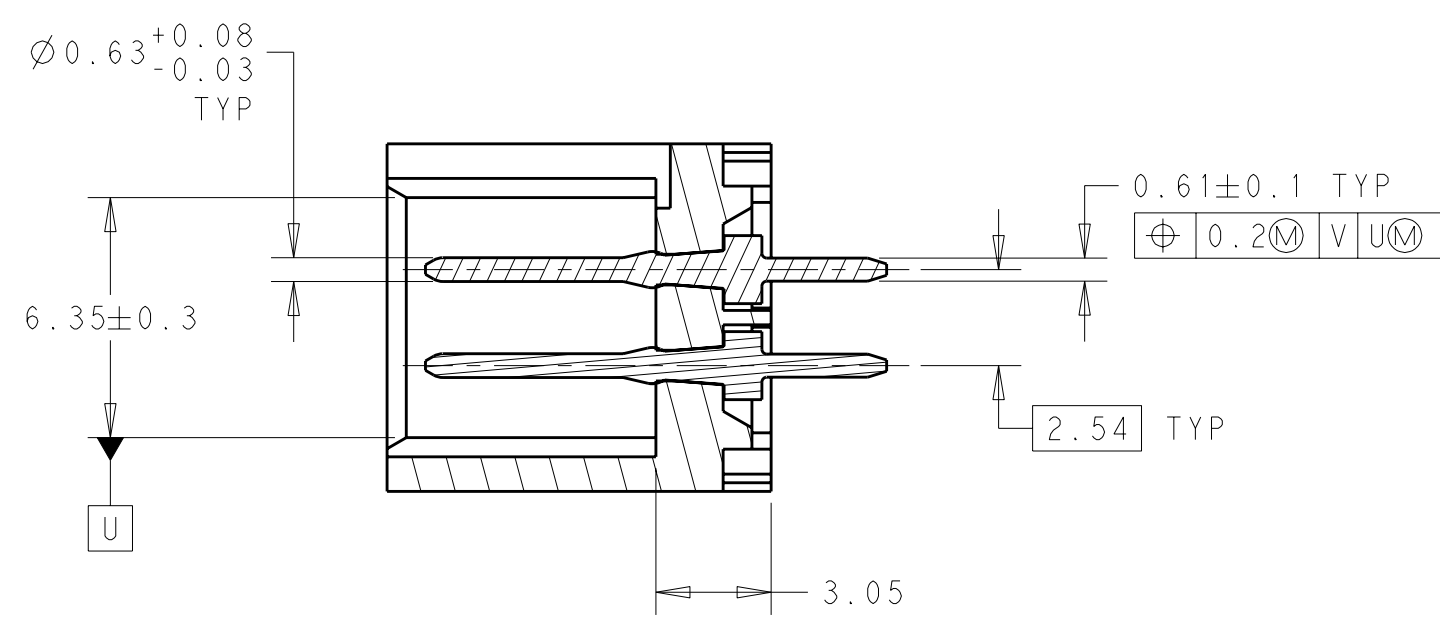
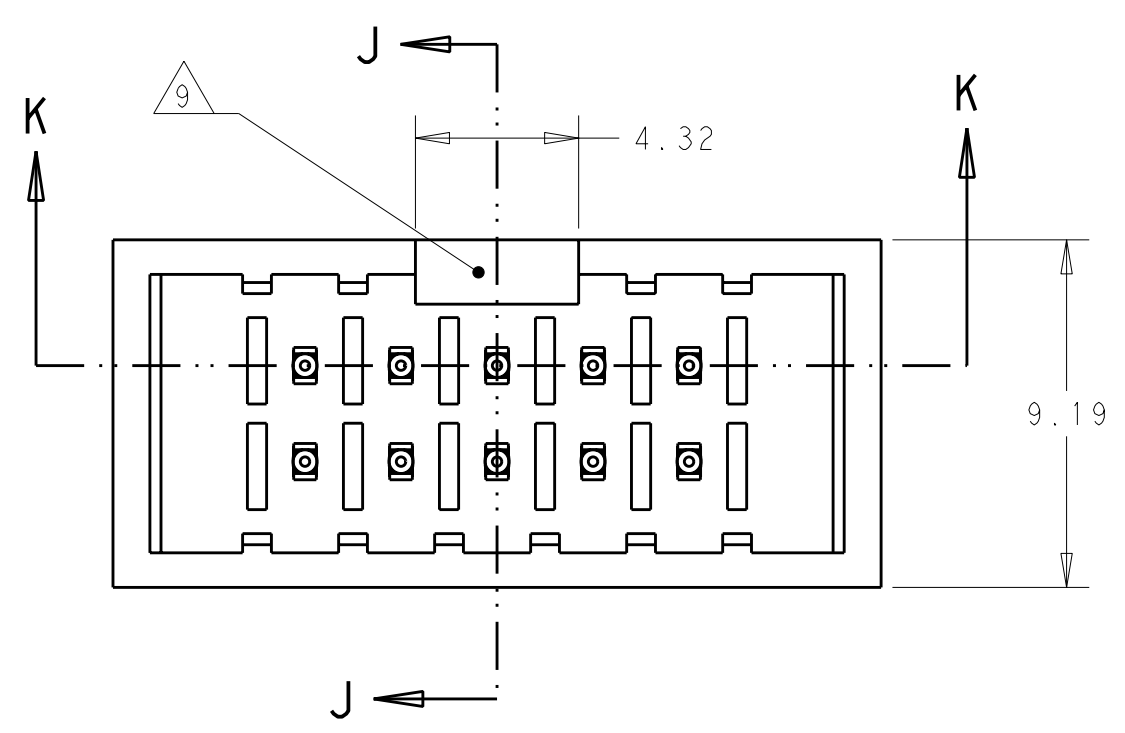
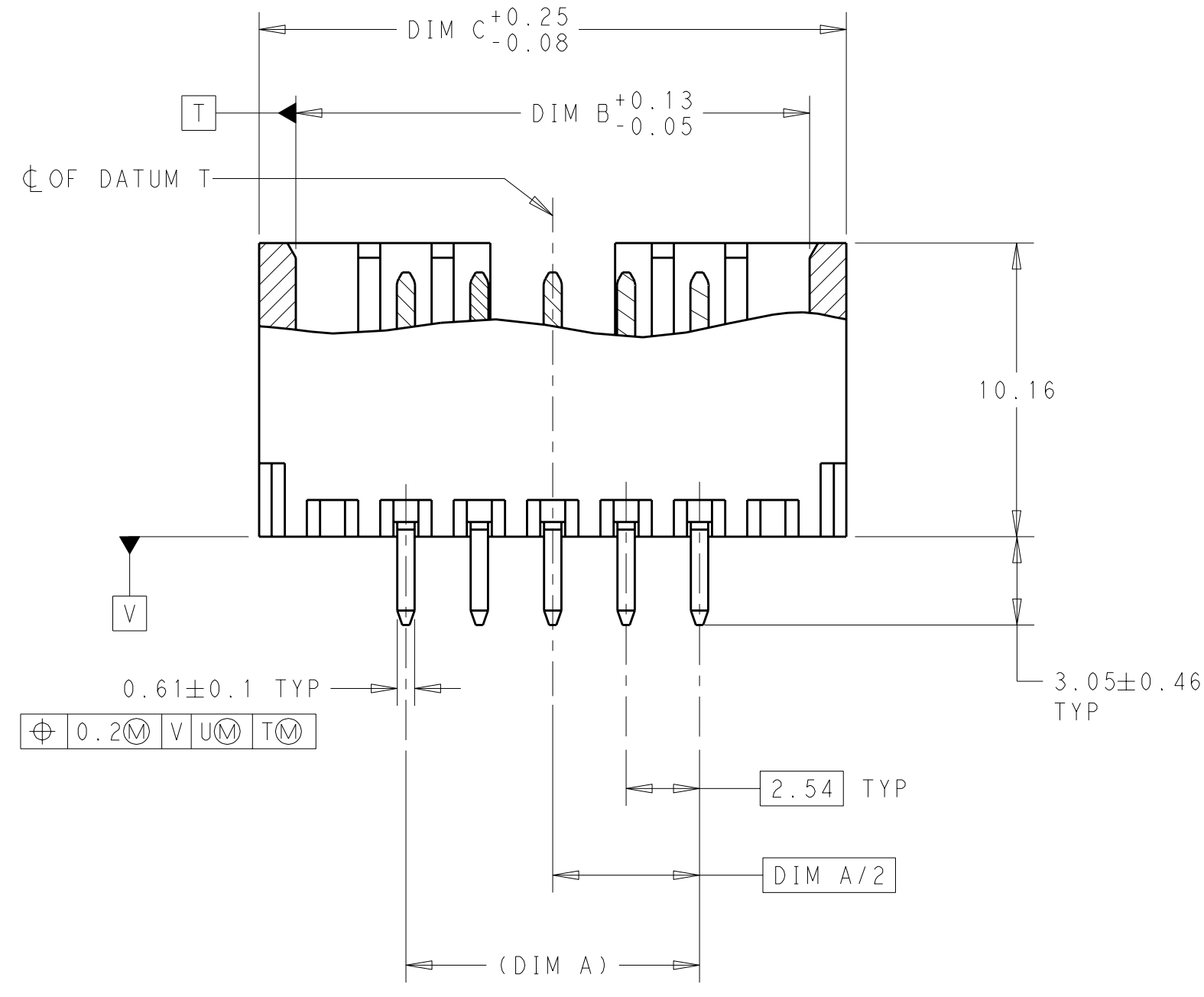


THIS DRAWING IS UNPUBLISHED. RELEASED FOR PUBLICATION 20
 © COPYRIGHT 20 BY - ALL RIGHTS RESERVED.

| LOC | DIST | REVISIONS | | | | | |
|-----|------|-----------|-----|---------------------------|-----------|-----|------|
| GP | 00 | P | LTR | DESCRIPTION | DATE | DWN | APVD |
| | | | U | REDRAWN PER ECO-12-007497 | 30MAY2012 | CJV | SLB |



SECTION J-J



SECTION K-K

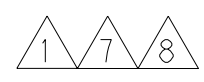
- ① HOUSING MATERIAL: PBT, GLASS FILLED, UL94V-0 RATED, BLACK.
- ② HOUSING MATERIAL: PBT, GLASS FILLED, UL94V-0 RATED, GRAY.
- ③ HOUSING MATERIAL: PPS, GLASS FILLED, UL94V-0 RATED, BROWN.
- 4. CONTACT MATERIAL: BRASS.
- ⑤ CONTACT FINISH: 0.76 μm MIN GOLD OVER 1.27 μm MIN NICKEL ON MATING SURFACES, 3 μm MIN BRIGHT TIN OVER 1.27 μm MIN NICKEL ON SOLDER TAIL.
- ⑥ CONTACT FINISH: 0.38 μm MIN GOLD OVER 1.27 μm MIN NICKEL ON MATING SURFACES, 3 μm MIN BRIGHT TIN OVER 1.27 μm MIN NICKEL ON SOLDER TAIL.
- ⑦ CONTACT FINISH: 0.2 μm MIN GOLD OVER 1.27 μm MIN NICKEL ON MATING SURFACES, 3 μm MIN BRIGHT TIN OVER 1.27 μm MIN NICKEL ON SOLDER TAIL.
- ⑧ OBSOLETE.
- ⑨ COMPANY LOGO APPROXIMATELY WHERE SHOWN

| | | | | |
|--|--|----------------------------------|---|-----------------------|
| THIS DRAWING IS A CONTROLLED DOCUMENT. DIMENSIONING AND TOLERANCING PER ASME Y14.5M-2009 | | DWN C. VALENTINE 30MAY2012 | TE Connectivity | |
| DIMENSIONS: mm | | CHK S. BOLASH 30MAY2012 | | |
| TOLERANCES UNLESS OTHERWISE SPECIFIED: | | APVD S. BOLASH 30MAY2012 | NAME HEADER ASSEMBLY, VERTICAL, LOW PROFILE, AMP-LATCH | |
| 0 PLC ±- 1 PLC ±0.2 2 PLC ±0.13 3 PLC ±0.005 4 PLC ±0.0005 ANGLES ± FINISH | | PRODUCT SPEC 108-20038 | RESTRICTED TO | |
| SEE TABLE | | APPLICATION SPEC | SIZE A200779 | CAGE CODE C-281271 |
| SEE TABLE | | WEIGHT - | DRAWING NO - | REV U |
| CUSTOMER DRAWING | | | SCALE 5:1 | SHEET 1 OF 2 |

THIS DRAWING IS UNPUBLISHED. RELEASED FOR PUBLICATION 20
 © COPYRIGHT 20 BY - ALL RIGHTS RESERVED.

| LOC | DIST | REVISIONS | | | | | |
|-----|------|-----------|-----|-------------|------|-----|------|
| GP | 00 | P | LTR | DESCRIPTION | DATE | DWN | APVD |
| | | - | | SEE SHEET 1 | | | |

| 10 | 281271-3 | 10.16 | 17.78 | 20.32 | |
|--------|-------------|-------|-------|-------|-------|
| 14 | 281272-3 | 15.24 | 22.86 | 25.40 | |
| 16 | 281273-3 | 17.78 | 25.40 | 27.94 | |
| 20 | 281274-3 | 22.86 | 30.48 | 33.02 | |
| 26 | 281275-3 | 30.48 | 38.10 | 40.64 | |
| 34 | 281276-3 | 40.64 | 48.26 | 50.80 | |
| 40 | 281277-3 | 48.26 | 55.88 | 58.42 | |
| 50 | 281278-3 | 60.96 | 68.58 | 71.12 | |
| 60 | 281836-3 | 73.66 | 81.28 | 83.82 | |
| NO POS | PART NUMBER | A | B | C | NOTES |



| 10 | 281271-2 | 10.16 | 17.78 | 20.32 | |
|--------|-------------|-------|-------|-------|-------|
| 14 | 281272-2 | 15.24 | 22.86 | 25.40 | |
| 16 | 281273-2 | 17.78 | 25.40 | 27.94 | |
| 20 | 281274-2 | 22.86 | 30.48 | 33.02 | |
| 26 | 281275-2 | 30.48 | 38.10 | 40.64 | |
| 34 | 281276-2 | 40.64 | 48.26 | 50.80 | |
| 40 | 281277-2 | 48.26 | 55.88 | 58.42 | |
| 50 | 281278-2 | 60.96 | 68.58 | 71.12 | |
| 60 | 281836-2 | 73.66 | 81.28 | 83.82 | |
| NO POS | PART NUMBER | A | B | C | NOTES |



| 10 | 1-281271-1 | 10.16 | 17.78 | 20.32 | |
|--------|-------------|-------|-------|-------|-------|
| 14 | 1-281272-1 | 15.24 | 22.86 | 25.40 | |
| 16 | 1-281273-1 | 17.78 | 25.40 | 27.94 | |
| 20 | 1-281274-1 | 22.86 | 30.48 | 33.02 | |
| 26 | 1-281275-1 | 30.48 | 38.10 | 40.64 | |
| 34 | 1-281276-1 | 40.64 | 48.26 | 50.80 | |
| 40 | 1-281277-1 | 48.26 | 55.88 | 58.42 | |
| 50 | 1-281278-1 | 60.96 | 68.58 | 71.12 | |
| 60 | 1-281836-1 | 73.66 | 81.28 | 83.82 | |
| NO POS | PART NUMBER | A | B | C | NOTES |



| 10 | 281271-1 | 10.16 | 17.78 | 20.32 | |
|--------|-------------|-------|-------|-------|-------|
| 14 | 281272-1 | 15.24 | 22.86 | 25.40 | |
| 16 | 281273-1 | 17.78 | 25.40 | 27.94 | |
| 20 | 281274-1 | 22.86 | 30.48 | 33.02 | |
| 26 | 281275-1 | 30.48 | 38.10 | 40.64 | |
| 34 | 281276-1 | 40.64 | 48.26 | 50.80 | |
| 40 | 281277-1 | 48.26 | 55.88 | 58.42 | |
| 50 | 281278-1 | 60.96 | 68.58 | 71.12 | |
| 60 | 281836-1 | 73.66 | 81.28 | 83.82 | |
| NO POS | PART NUMBER | A | B | C | NOTES |



| 10 | 281271-5 | 10.16 | 17.78 | 20.32 | |
|--------|-------------|-------|-------|-------|-------|
| 14 | 281272-5 | 15.24 | 22.86 | 25.40 | |
| 16 | 281273-5 | 17.78 | 25.40 | 27.94 | |
| 20 | 281274-5 | 22.86 | 30.48 | 33.02 | |
| 26 | 281275-5 | 30.48 | 38.10 | 40.64 | |
| 34 | 281276-5 | 40.64 | 48.26 | 50.80 | |
| 40 | 281277-5 | 48.26 | 55.88 | 58.42 | |
| 50 | 281278-5 | 60.96 | 68.58 | 71.12 | |
| 60 | 281836-5 | 73.66 | 81.28 | 83.82 | |
| NO POS | PART NUMBER | A | B | C | NOTES |



| | | | |
|---|--|----------------------------------|--|
| THIS DRAWING IS A CONTROLLED DOCUMENT. DIMENSIONING AND TOLERANCING PER ASME Y14.5M-2009 | | DWN C. VALENTINE 30MAY2012 | TE Connectivity NAME HEADER ASSEMBLY, VERTICAL, LOW PROFILE, AMP-LATCH |
| DIMENSIONS: mm | | CHK S. BOLASH 30MAY2012 | |
| TOLERANCES UNLESS OTHERWISE SPECIFIED: 0 PLC ± 1 PLC ±0.2 2 PLC ±0.13 3 PLC ±0.005 4 PLC ±0.0005 ANGLES ± FINISH | | APVD S. BOLASH 30MAY2012 | PRODUCT SPEC 108-20038 |
| MATERIAL SEE TABLE | | APPLICATION SPEC - | SIZE A200779 |
| WEIGHT - | | RESTRICTED TO - | DRAWING NO C-281271 |
| CUSTOMER DRAWING | | SCALE 5:1 | SHEET 2 OF 2 |
| | | REV U | |