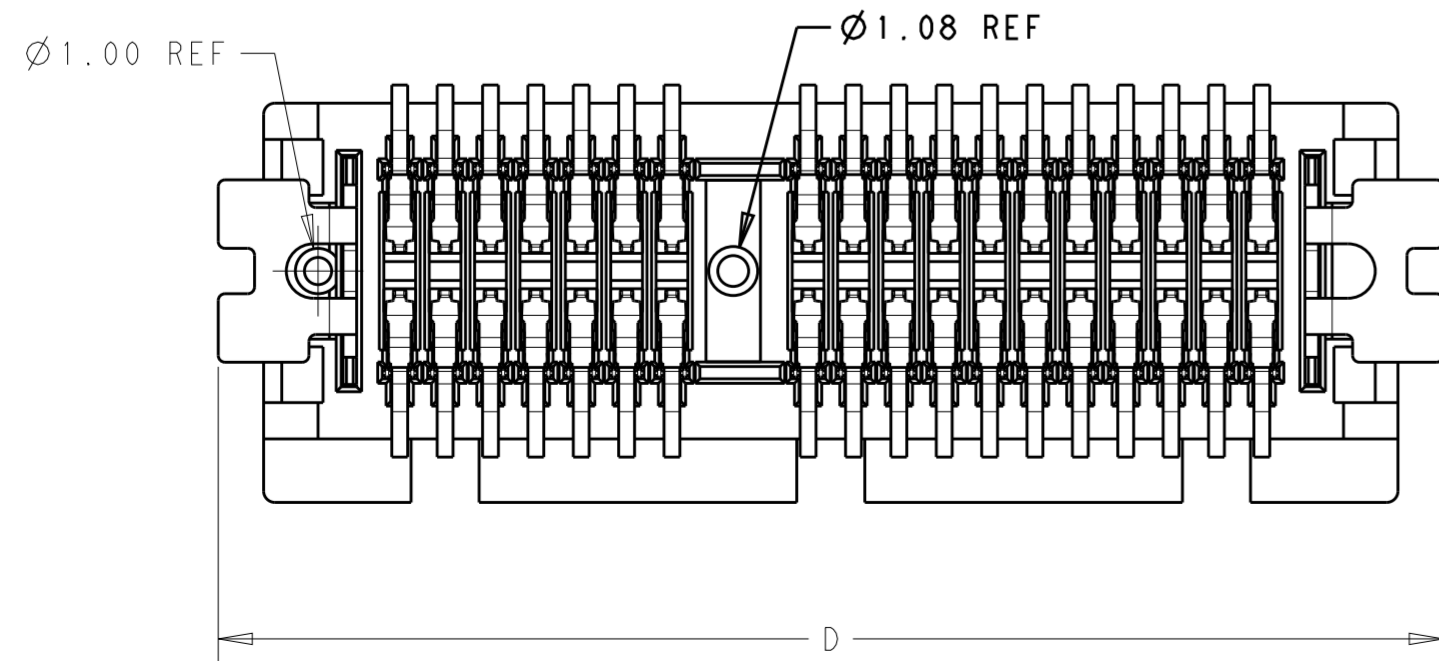
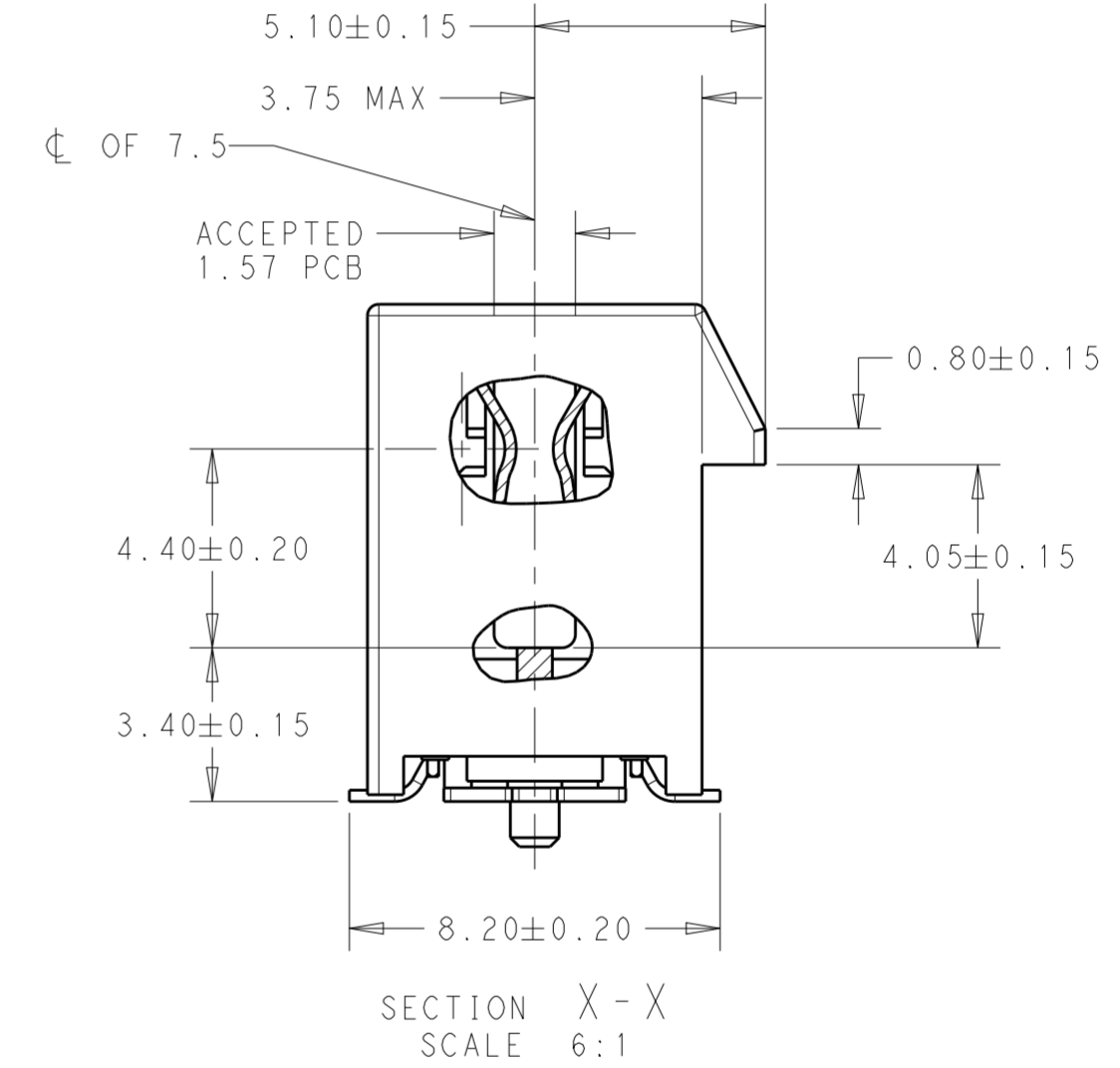
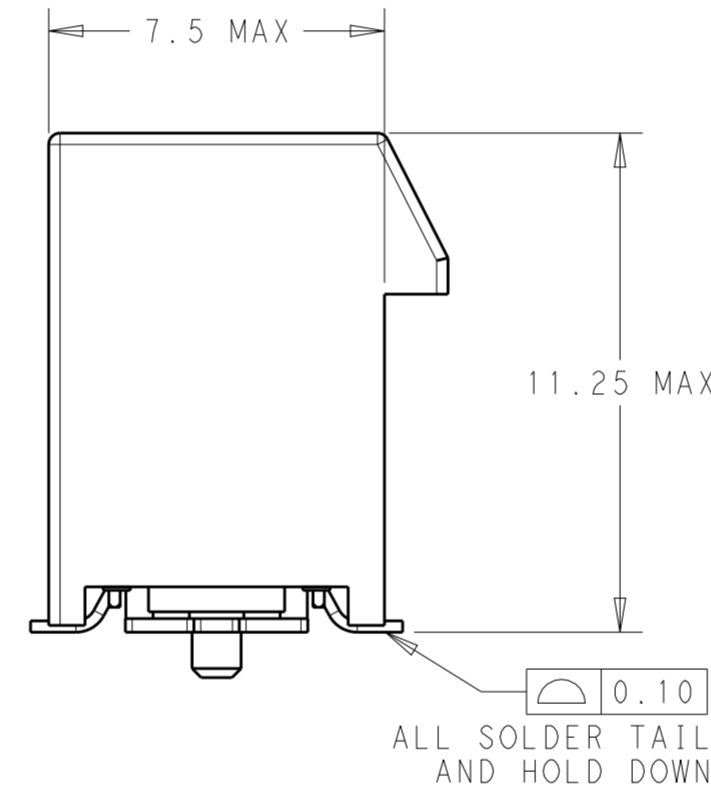
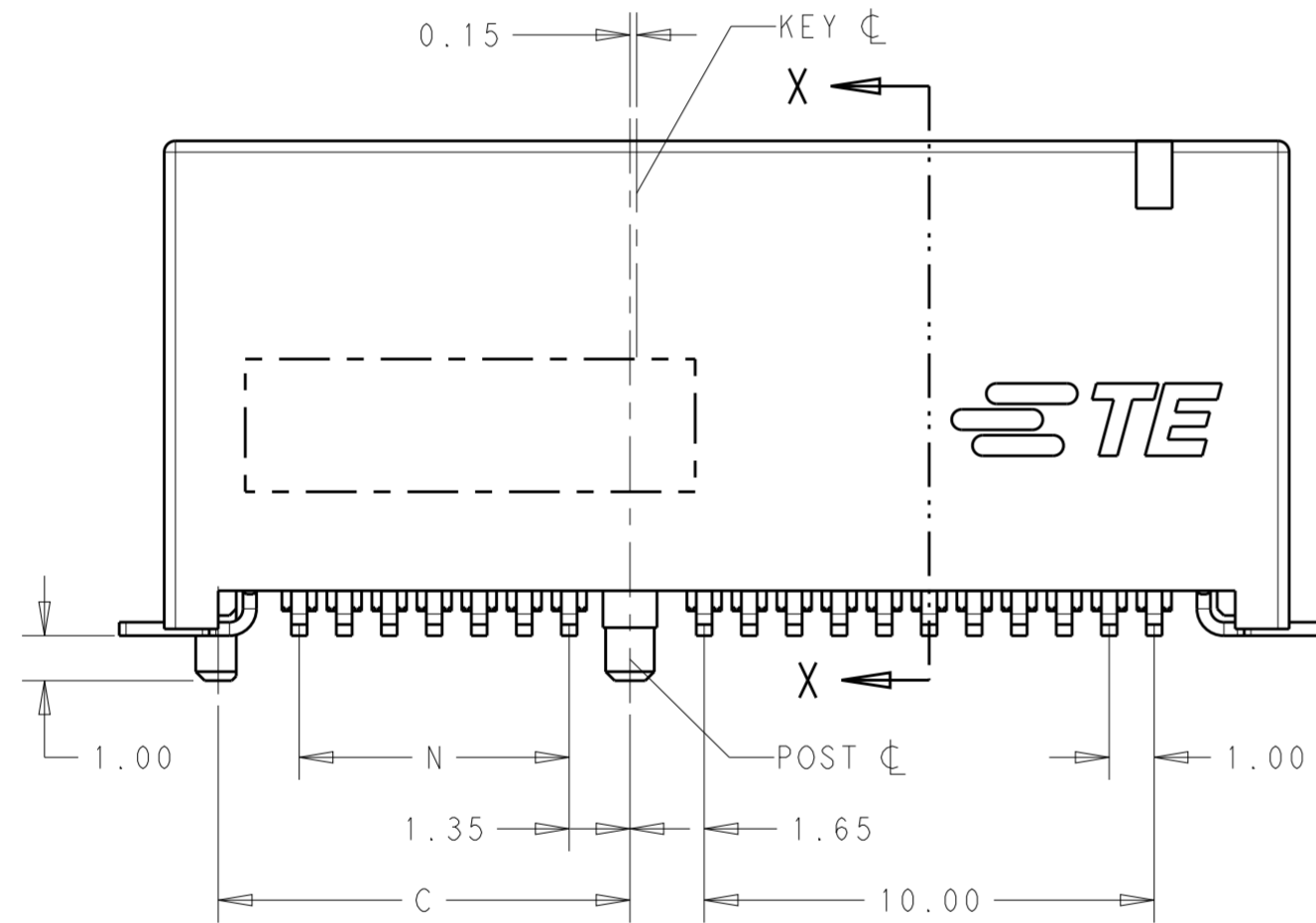
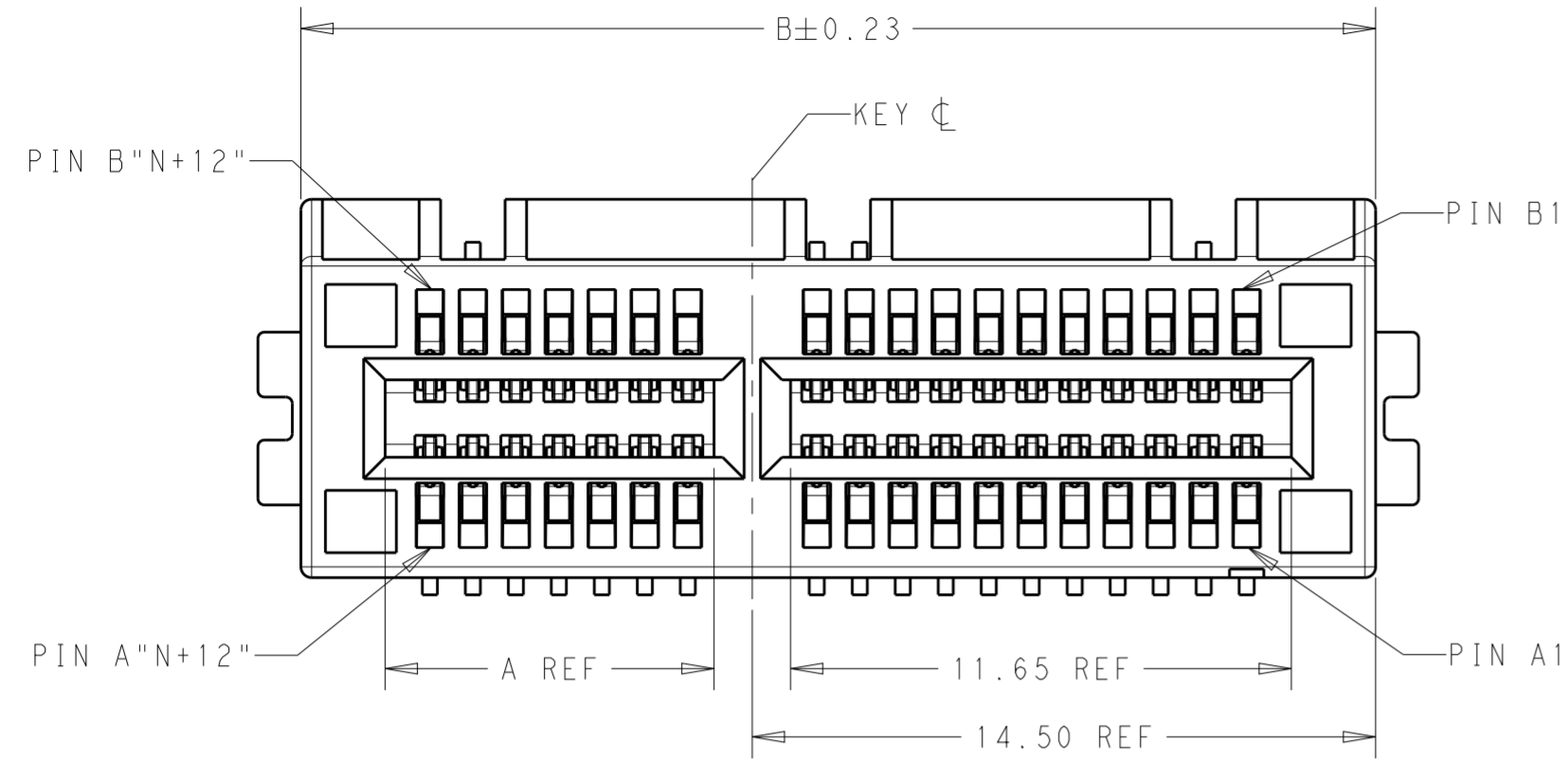


THIS DRAWING IS UNPUBLISHED. RELEASED FOR PUBLICATION 20  
 © COPYRIGHT 20 BY - ALL RIGHTS RESERVED.

REVISIONS				
P	LTR	DESCRIPTION	DATE	APVD
C		REVISED PER ECO-19-013185	22AUG2019	SY HL

NOTES:

- 1 MATERIAL:  
HOUSING: LCP UL94V-0; BLACK  
CONTACT: COPPER ALLOY  
HOLD DOWN: BRASS
- 2 FINISH:  
(SEE TABLE)um GOLD PLATING ON CONTACT AREA.  
2.54um MATTE-TIN PLATING ON SOLDER TAIL AREA.  
1.27um NICKEL UNDERPLATING OVERALL.
- 3 PARTS WITH POS 36 ARE NOT TOOLED


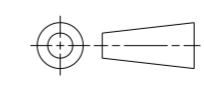


THIS DRAWING IS A CONTROLLED DOCUMENT.		DWN FRED LIU 12 JUN 2018	TE Connectivity	
DIMENSIONS: mm		CHK HOPE LU 12 JUN 2018		
TOLERANCES UNLESS OTHERWISE SPECIFIED:		APVD HOPE LU 12 JUN 2018	NAME PCI EXPRESS CARD EDGE CONNECTOR	
0 PLC	$\pm$	PRODUCT SPEC	SIZE	CAGE CODE
1 PLC	$\pm 0.3$	APPLICATION SPEC	A200779	C-2337939
2 PLC	$\pm 0.20$	WEIGHT	SCALE	SHEET
3 PLC	$\pm 0.050$	CUSTOMER DRAWING	3:1	1 OF 4
4 PLC	$\pm$			REV C
ANGLES	$\pm$			
FINISH	$\pm$			

THIS DRAWING IS UNPUBLISHED. RELEASED FOR PUBLICATION 20  
 © COPYRIGHT 20 BY - ALL RIGHTS RESERVED.

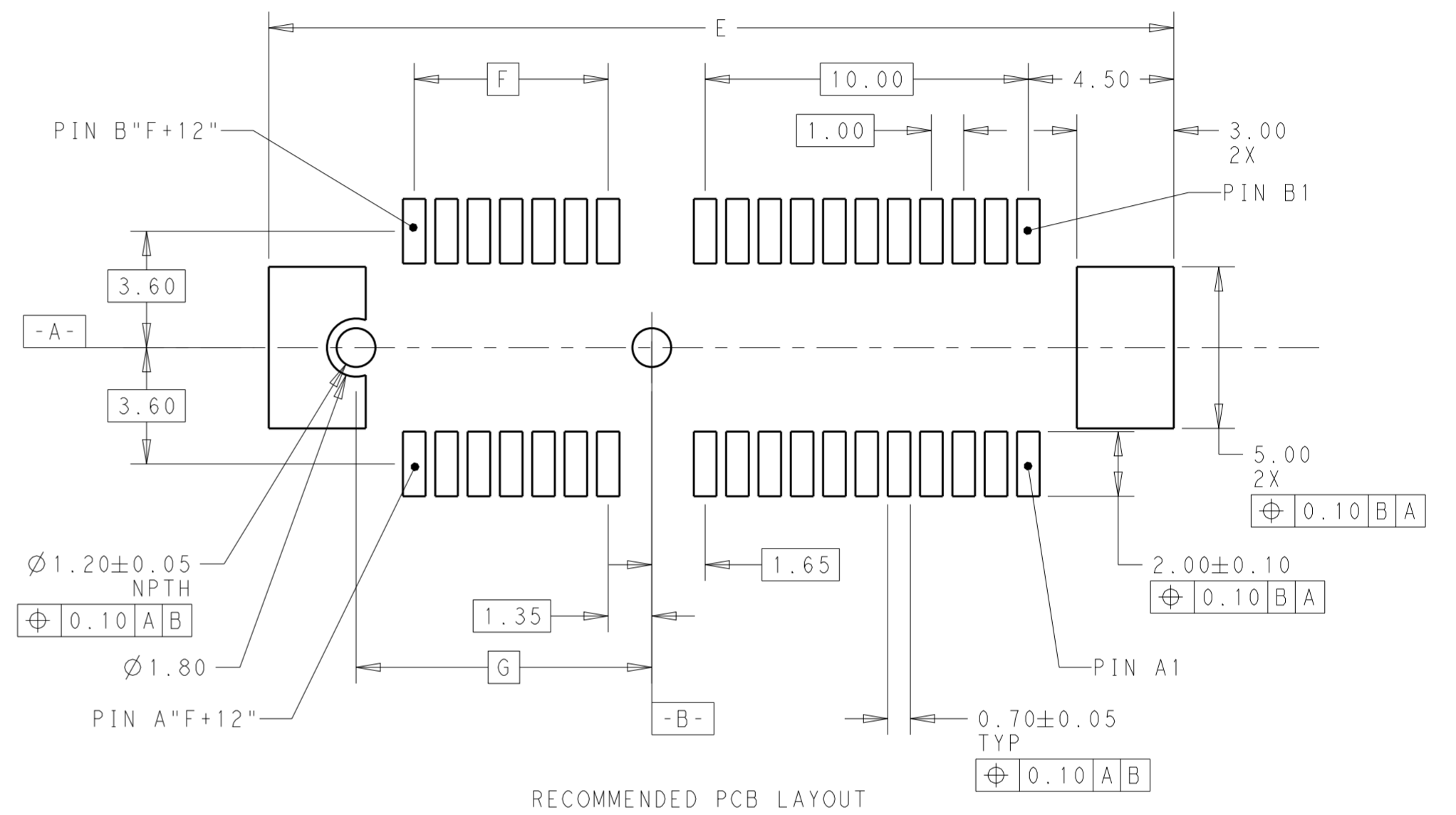
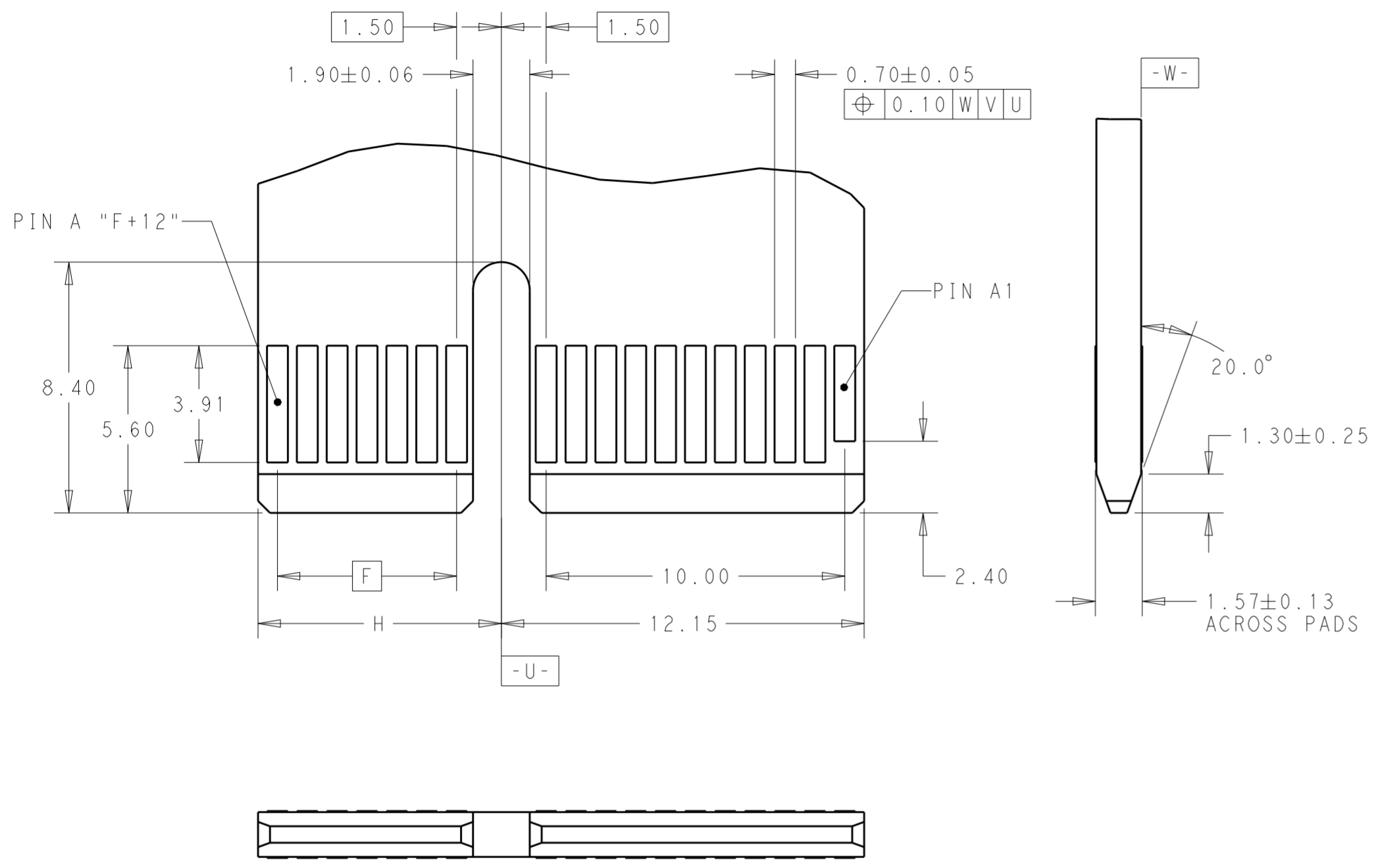
REVISIONS				
P	LTR	DESCRIPTION	DATE	APVD
-		SEE SHEET 1	-	-

108-60121	30u"	45.0	10	44.5	91	70	73.15	89	71.65	164	7-2337939-4
	30u"	86.5	7.0	44.5	91	70	73.15	89	71.65	164	5-2337939-8
	30u"	53.5	7.0	28	58	37	40.15	56	38.65	98	5-2337939-7
	30u"	36.5	7.0	19.5	41	20	23.15	39	21.65	64	5-2337939-6
	30u"	22.5	7.0	12.5	27	6	9.15	25	7.65	36	5-2337939-5
	30u"	10.0	10.0	44.5	91	70	73.15	89	71.65	164	5-2337939-4
	30u"	10.0	10.0	28	58	37	40.15	56	38.65	98	5-2337939-3
	30u"	10.0	10.0	19.5	41	20	23.15	39	21.65	64	5-2337939-2
	30u"	10.0	10.0	12.5	27	6	9.15	25	7.65	36	5-2337939-1
108-60121-1	15u"	86.5	7.0	44.5	91	70	73.15	89	71.65	164	4-2337939-8
	15u"	53.5	7.0	28	58	37	40.15	56	38.65	98	4-2337939-7
	15u"	36.5	7.0	19.5	41	20	23.15	39	21.65	64	4-2337939-6
	15u"	22.5	7.0	12.5	27	6	9.15	25	7.65	36	4-2337939-5
	15u"	10.0	10.0	44.5	91	70	73.15	89	71.65	164	4-2337939-4
	15u"	10.0	10.0	28	58	37	40.15	56	38.65	98	4-2337939-3
	15u"	10.0	10.0	19.5	41	20	23.15	39	21.65	64	4-2337939-2
	15u"	10.0	10.0	12.5	27	6	9.15	25	7.65	36	4-2337939-1
	G/F	86.5	7.0	44.5	91	70	73.15	89	71.65	164	3-2337939-8
	G/F	53.5	7.0	28	58	37	40.15	56	38.65	98	3-2337939-7
	G/F	36.5	7.0	19.5	41	20	23.15	39	21.65	64	3-2337939-6
	G/F	22.5	7.0	12.5	27	6	9.15	25	7.65	36	3-2337939-5
	G/F	10.0	10.0	44.5	91	70	73.15	89	71.65	164	3-2337939-4
G/F	10.0	10.0	28	58	37	40.15	56	38.65	98	3-2337939-3	
G/F	10.0	10.0	19.5	41	20	23.15	39	21.65	64	3-2337939-2	
G/F	10.0	10.0	12.5	27	6	9.15	25	7.65	36	3-2337939-1	
108-60121	30u"		NA	44.5	91	70	73.15	89	71.65	164	2-2337939-4
	30u"		NA	28	58	37	40.15	56	38.65	98	2-2337939-3
	30u"		NA	19.5	41	20	23.15	39	21.65	64	2-2337939-2
	30u"		NA	12.5	27	6	9.15	25	7.65	36	2-2337939-1
108-60121-1	15u"		NA	44.5	91	70	73.15	89	71.65	164	6-2337939-4
	15u"		NA	28	58	37	40.15	56	38.65	98	6-2337939-3
	15u"		NA	19.5	41	20	23.15	39	21.65	64	6-2337939-2
	15u"		NA	12.5	27	6	9.15	25	7.65	36	6-2337939-1
	G/F		NA	44.5	91	70	73.15	89	71.65	164	2337939-4
	G/F		NA	28	58	37	40.15	56	38.65	98	2337939-3
	G/F		NA	19.5	41	20	23.15	39	21.65	64	2337939-2
G/F		NA	12.5	27	6	9.15	25	7.65	36	2337939-1	
PRODUCT SPEC	GOLD PLATING	W	V	J	D	N	C	B	A	POS.	PART NUMBER
		MYLAR SIZE (PAGE 4)									

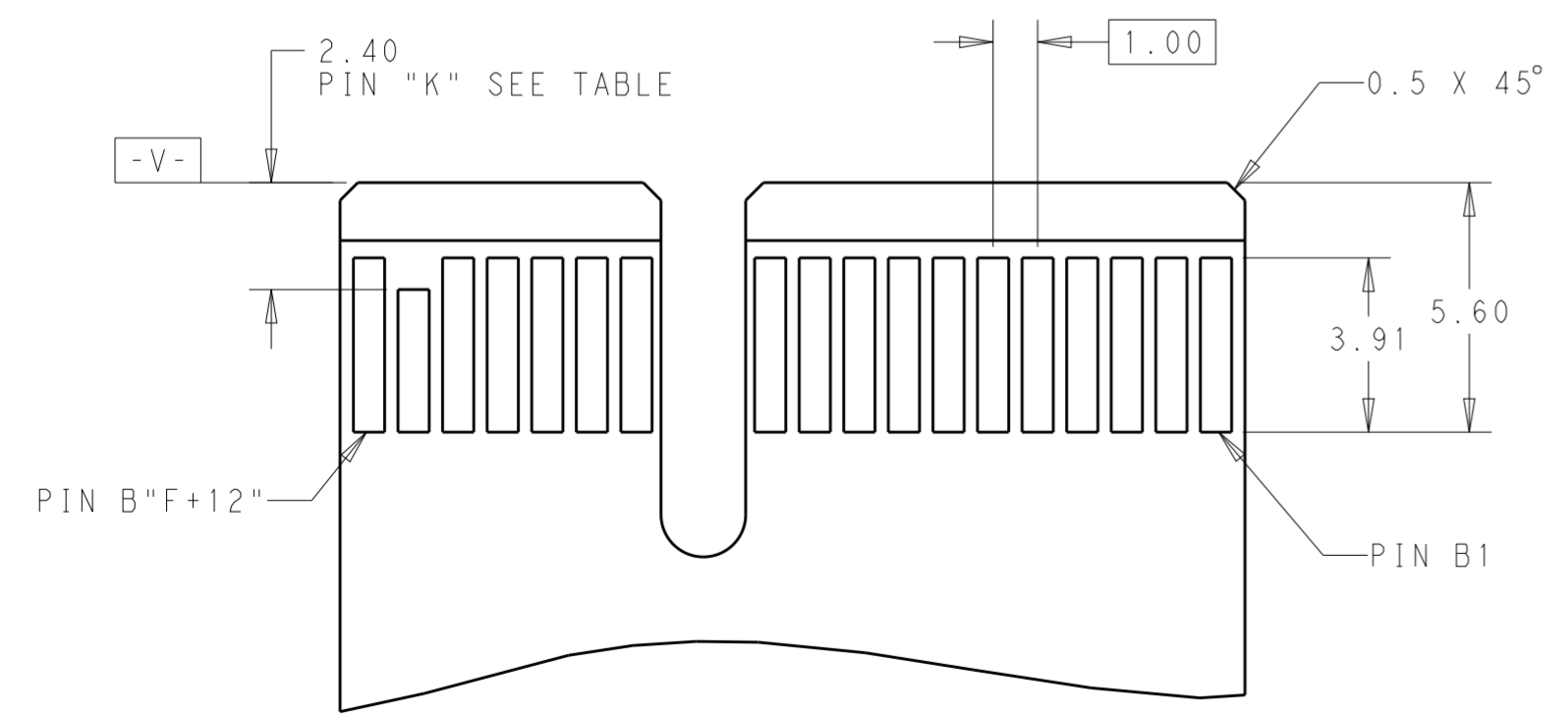
THIS DRAWING IS A CONTROLLED DOCUMENT.		DWN FRED LIU 12JUN2018	 TE Connectivity	
DIMENSIONS: mm		CHK HOPE LU 12JUN2018		
TOLERANCES UNLESS OTHERWISE SPECIFIED:		APVD HOPE LU 12JUN2018	NAME PCI EXPRESS CARD EDGE CONNECTOR	
		PRODUCT SPEC SEE TABLE	RESTRICTED TO	
MATERIAL		APPLICATION SPEC	SIZE A200779	CAGE CODE C-2337939
		WEIGHT	DRAWING NO	
		CUSTOMER DRAWING	SCALE 3:1	SHEET 2 OF 4
			REV C	

THIS DRAWING IS UNPUBLISHED. RELEASED FOR PUBLICATION 20  
 © COPYRIGHT 20 BY - ALL RIGHTS RESERVED.

REVISIONS					
P	LTR	DESCRIPTION	DATE	DWN	APVD
-	-	SEE SHEET 1	-	-	-



RECOMMENDED PCB LAYOUT



ADD-IN CARD EDGE-FINGER DIMENSION

164	92.00	70	73.15	72.15	A1,B17,B31,B48,B81
98	59.00	37	40.15	39.15	A1,B17,B31,B48
64	42.00	20	23.15	22.15	A1,B17,B31
36	28.00	6	9.15	8.15	A1,B17
POS.	DIM. E	DIM. F	DIM. G	DIM. H	"K"

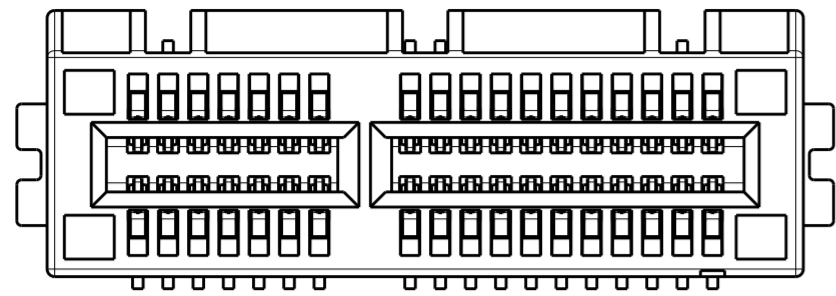
THIS DRAWING IS A CONTROLLED DOCUMENT.

DWN FRED LIU 12JUN2018	 TE Connectivity <b>PCI EXPRESS CARD EDGE CONNECTOR</b>					
CHK HOPE LU 12JUN2018						
APVD HOPE LU 12JUN2018						
NAME						
DIMENSIONS: mm	TOLERANCES UNLESS OTHERWISE SPECIFIED: 0 PLC ± 1 PLC ±0.3 2 PLC ±0.20 3 PLC ±0.050 4 PLC ± ANGLES ± FINISH	PRODUCT SPEC - APPLICATION SPEC - WEIGHT -	SIZE A200779	CAGE CODE C-2337939	DRAWING NO - SCALE 3:1	RESTRICTED TO -
MATERIAL -	CUSTOMER DRAWING	SCALE 3:1	SHEET 3	OF 4	REV C	

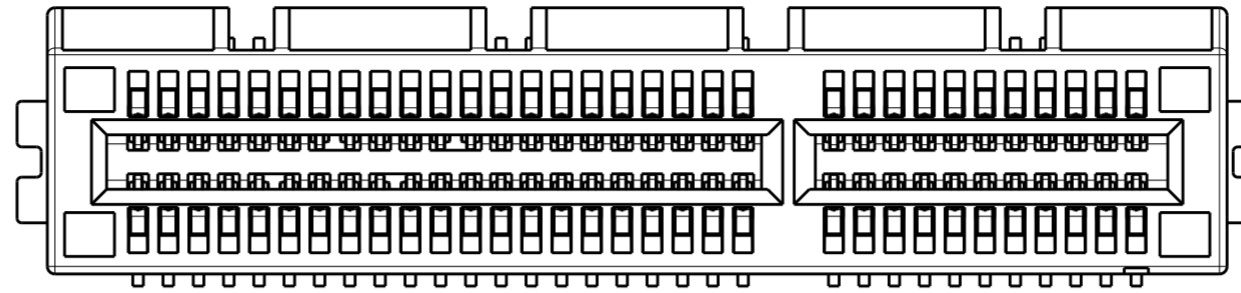
THIS DRAWING IS UNPUBLISHED. RELEASED FOR PUBLICATION 20  
 © COPYRIGHT 20 BY - ALL RIGHTS RESERVED.

REVISIONS				
P	LTR	DESCRIPTION	DATE	APVD
-	-	SEE SHEET 1	-	-

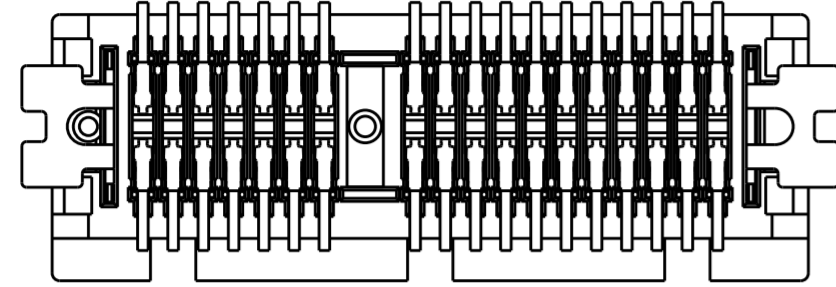
FRONT VIEW



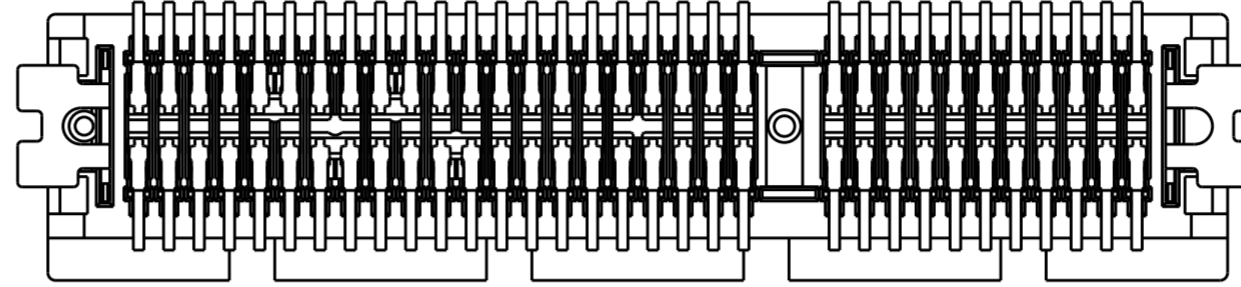
FRONT VIEW



REAR VIEW



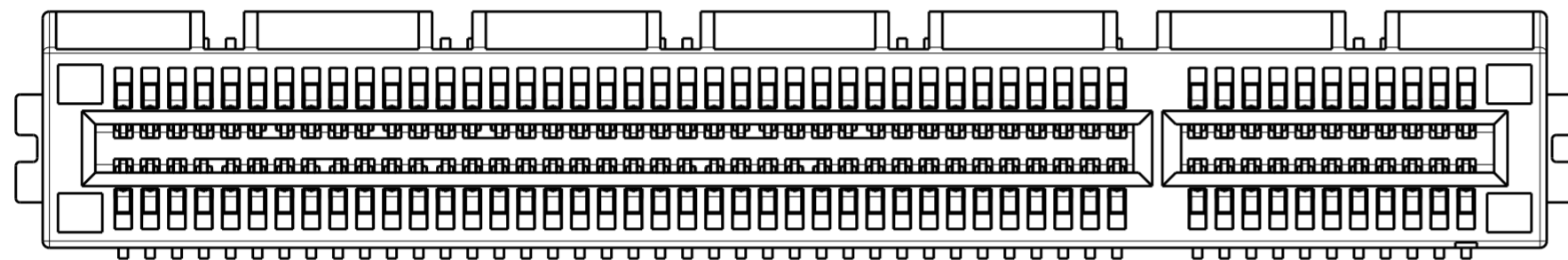
REAR VIEW



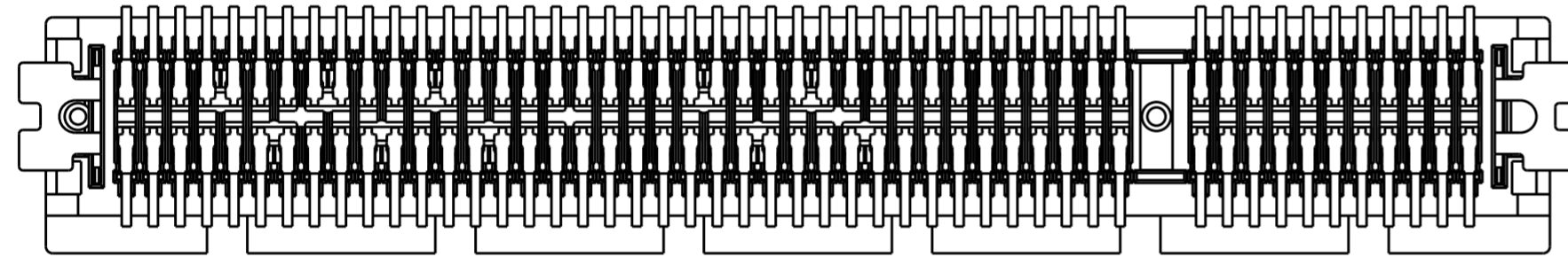
36POS AS SHOWN

64POS AS SHOWN

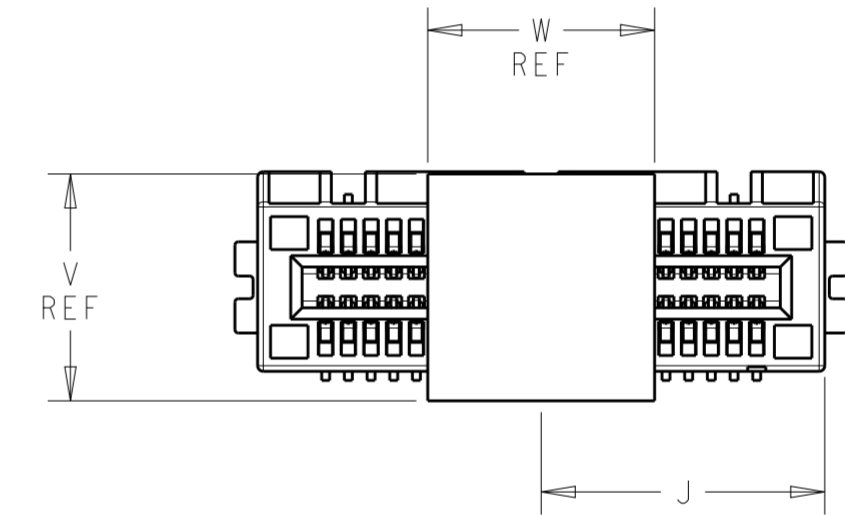
FRONT VIEW



REAR VIEW

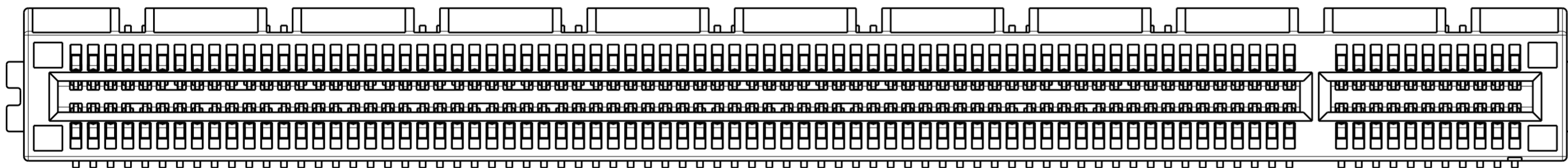


98POS AS SHOWN

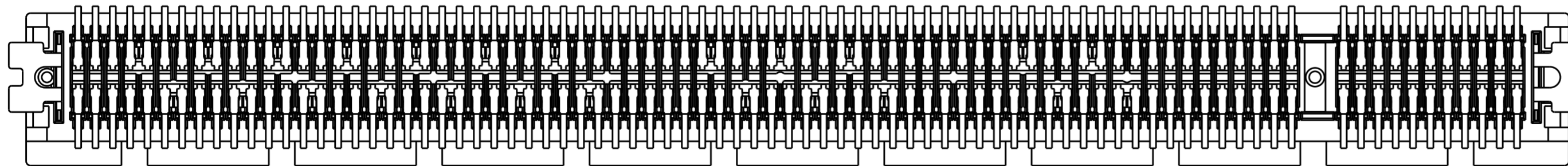


MYLAR SIZE

FRONT VIEW



REAR VIEW



164POS AS SHOWN

THIS DRAWING IS A CONTROLLED DOCUMENT.		DWN FRED LIU 12 JUN 2018	TE Connectivity	
DIMENSIONS: mm		CHK HOPE LU 12 JUN 2018		
		APVD HOPE LU 12 JUN 2018	NAME PCI EXPRESS CARD EDGE CONNECTOR	
TOLERANCES UNLESS OTHERWISE SPECIFIED:		PRODUCT SPEC	RESTRICTED TO	
0 PLC ±		APPLICATION SPEC	SIZE	CAGE CODE
1 PLC ±0.3		WEIGHT	A200779	DRAWING NO
2 PLC ±0.20		CUSTOMER DRAWING	C-2337939	SCALE
3 PLC ±0.050		SCALE	3:1	SHEET
4 PLC ±		SCALE	3:1	4 OF 4
ANGLES ±		SCALE	3:1	REV
FINISH ±		SCALE	3:1	C