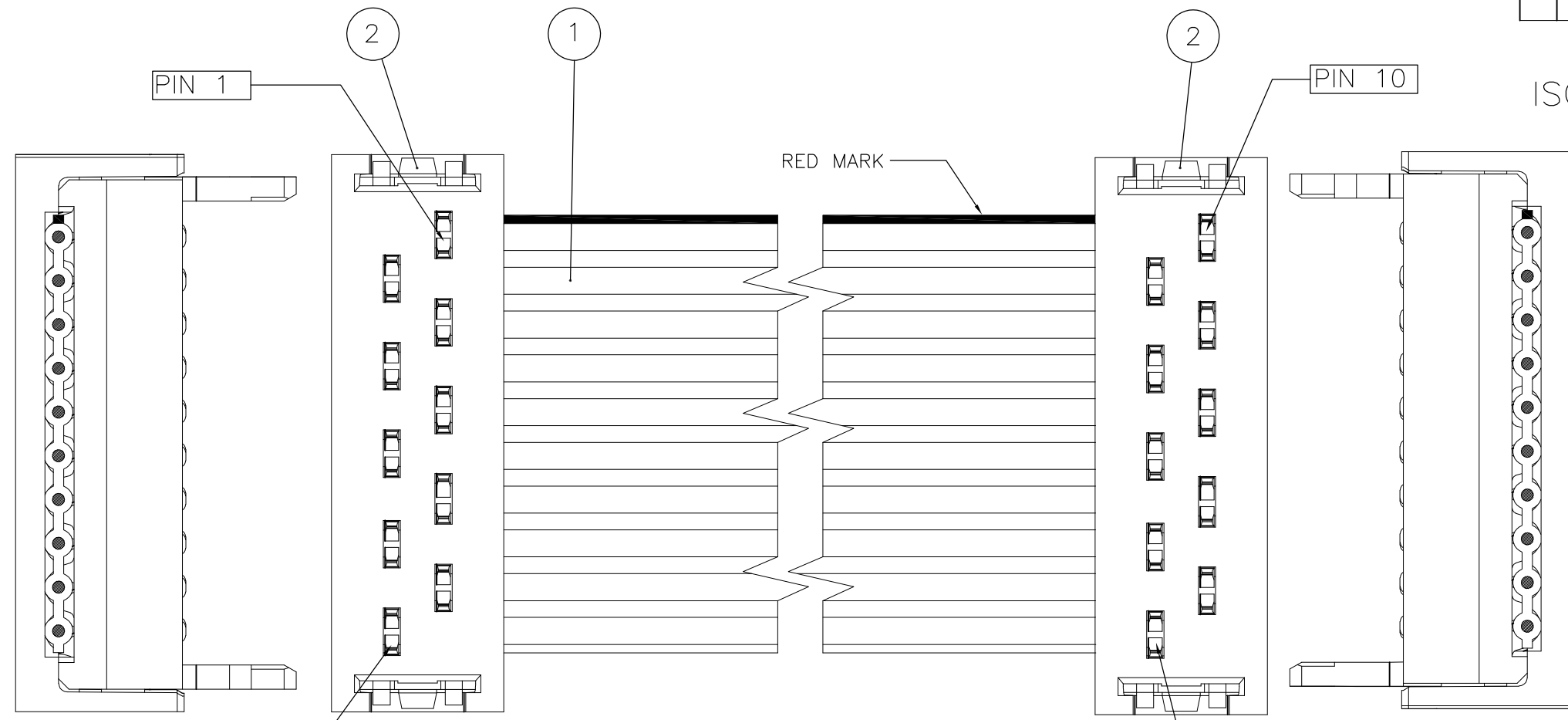
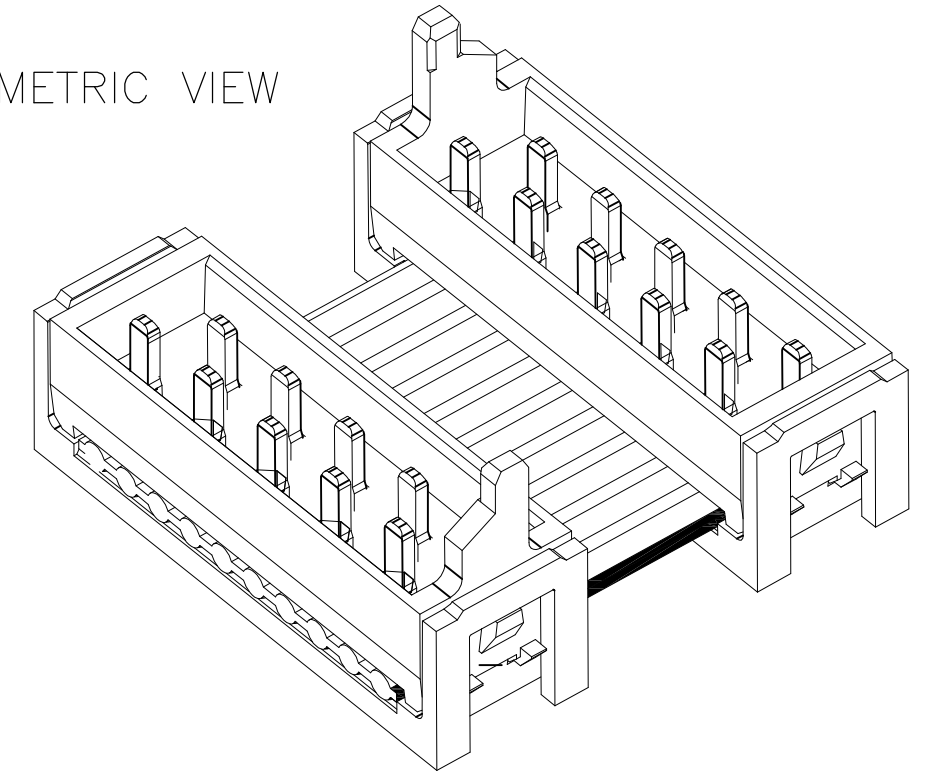


THIS DRAWING IS UNPUBLISHED. RELEASED FOR PUBLICATION
 © COPYRIGHT - By - ALL RIGHTS RESERVED.

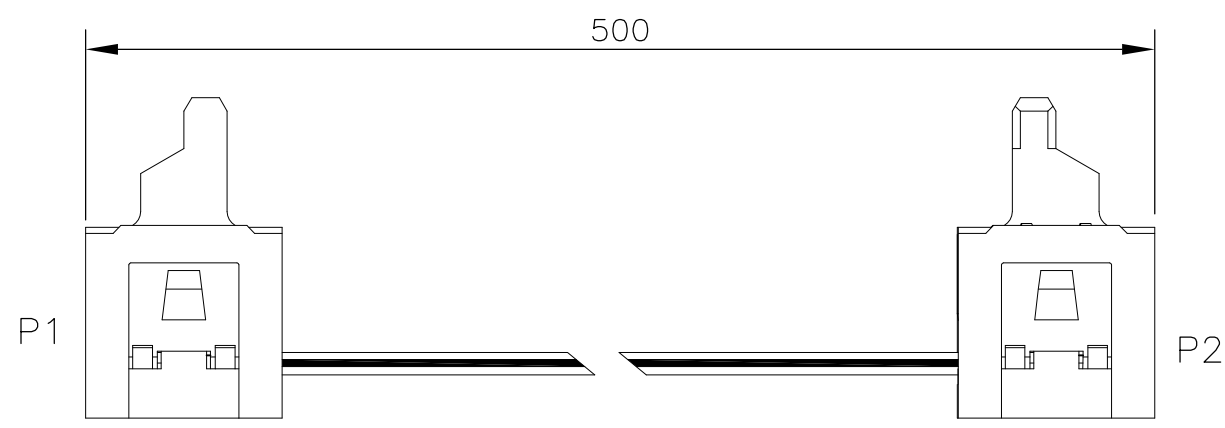
REVISIONS				
P	LTR	DESCRIPTION	DATE	APVD
A		NEW DRAWING	26APR2016	JRN BVH



ISOMETRIC VIEW



CUSTOMER P/N	TE P/N
	2303241-1



QTY	UOM	DESCRIPTION	ITEM
2	PC	MICRO MATCH 10 POS CONNECTOR ¹	2
1	PC	10P. FLAT RIBBON CABLE 28 AWG, 7/36 STRD	1

THIS DRAWING IS A CONTROLLED DOCUMENT.	
DIMENSIONS: mm	TOLERANCES UNLESS OTHERWISE SPECIFIED:
	0 PLC ± -
	1 PLC ± -
	2 PLC ± -
	3 PLC ± -
	4 PLC ± -
	ANGLES ± -
MATERIAL	FINISH
-	-

DWN J R NANDAN 26APR2016	STE TE Connectivity			
CHK B.VELDHOVEN 26APR2016				
APVD B.VELDHOVEN 26APR2016	NAME CA 500MM 10 POS. MOW-MOW M-M VALUE LINE			
PRODUCT SPEC	SIZE	CAGE CODE	DRAWING NO	RESTRICTED TO
APPLICATION SPEC	A3	-	C-2303241	-
WEIGHT	CUSTOMER DRAWING		SCALE NTS	SHEET 1 OF 1
			REV A	