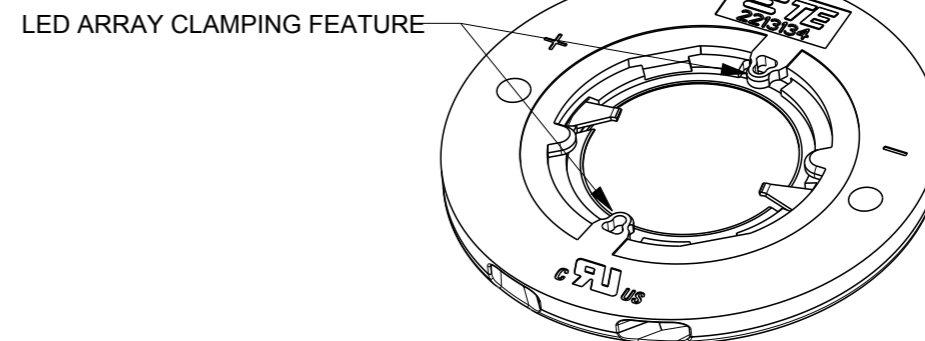
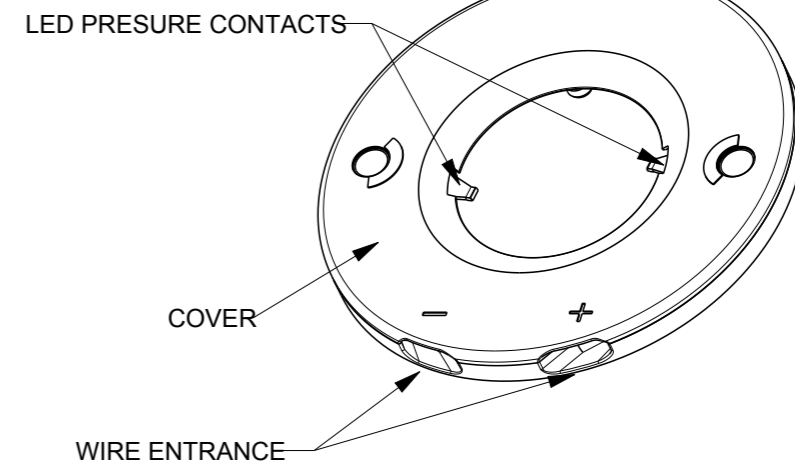
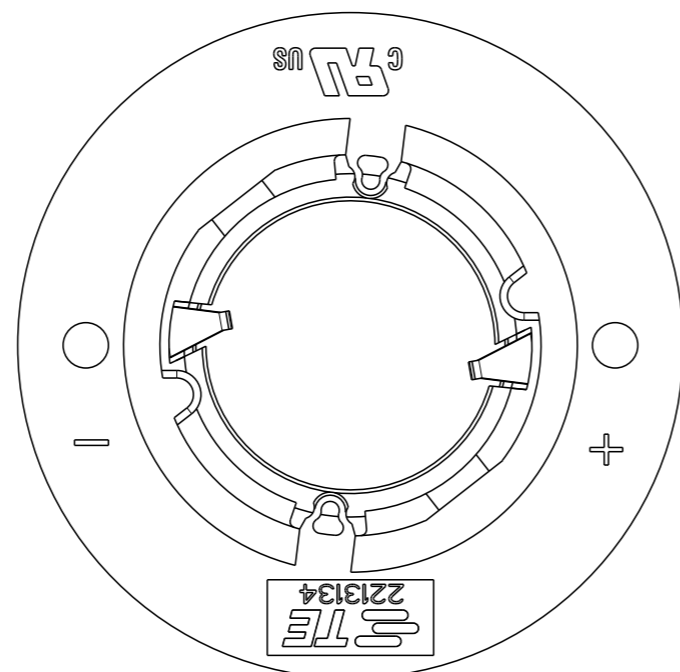
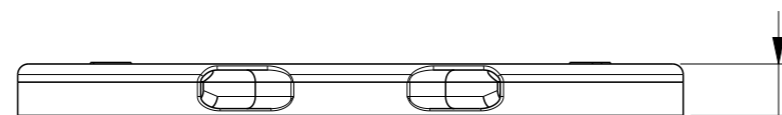
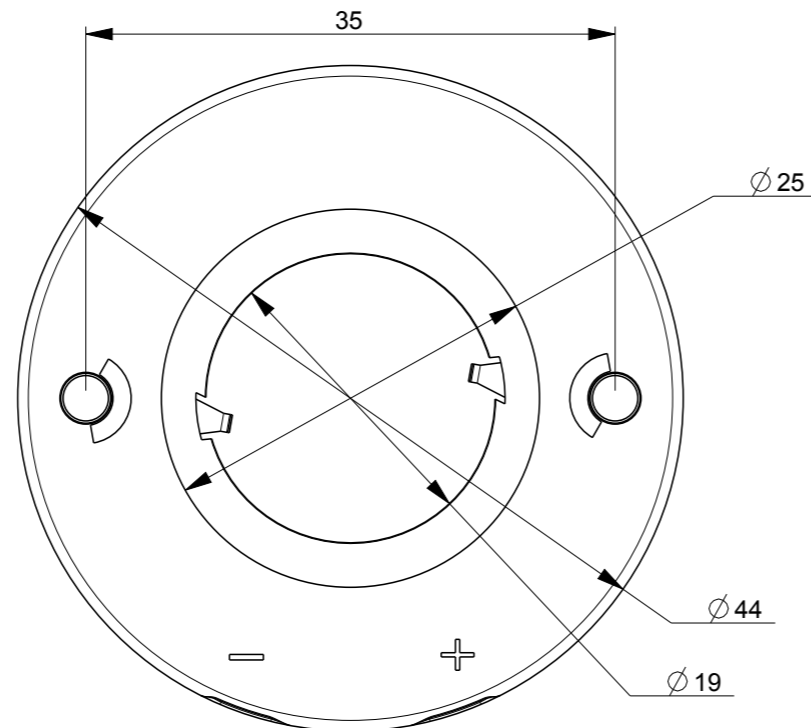


THIS DRAWING IS UNPUBLISHED. RELEASED FOR PUBLICATION
 © COPYRIGHT- BY TYCO ELECTRONICS CORPORATION. ALL RIGHTS RESERVED.

LOC	DIST	REVISIONS					
		P	LTR	DESCRIPTION	DATE	DWN	APVD
H	-		1	INITIATE	09AUG2012	JK	JK
			2	ADDED TEXT	28NOV2012	JK	JK
			3	ADDED INFO	15MAR2013	JK	JK

NOTES:

1. MATERIALS:
HOUSING: GLASS FILLED PBT
COLOR : NATURAL/WHITE
CONTACTS: SILVER PLATED COPPER ALLOY
2. FOR SOLID AND STRANDED WIRE AWG22-18
3. COMPLIES WIT DIRECTIVE 2002/95/EC (ROHS)
4. M3 SCREW TO BE USED FOR MOUNTING
5. LED HOLDER SUITABLE FOR LUXEON-K 12 AND 16 UP



2213134-1 AS SHOWN

Z50 LED HOLDER LOW PROFILE

PARTNUMBER	DESCRIPTION
2213134-2	Z50 LED HOLDER STANDARD PROFILE
2213134-1	Z50 LED HOLDER LOW PROFILE

THIS DRAWING IS A CONTROLLED DOCUMENT.

DIMENSIONS:	TOLERANCES UNLESS OTHERWISE SPECIFIED:
mm	0 PLC ±
	1 PLC ±
	2 PLC ±
	3 PLC ±
	4 PLC ±
	ANGLES ±
MATERIAL	FINISH

DWN	09-AUG-2012
CHK	JK
APVD	J.V.D.KROGT
APVD	O.LEIJNSE
PRODUCT SPEC	108-133008
APPLICATION SPEC	114-32048
WEIGHT	-

<p>TE Connectivity</p>			
<p>Z50 LED HOLDER FOR LUXEON-K LED ARRAY 12 AND 16 UP</p>			
NAME	SIZE	CAGE CODE	DRAWING NO
	A3	00779	C-C-2213134
RESTRICTED TO	SCALE	SHEET	OF
-	-	1	2
		REV	3

PRELIMINARY PART
 NOT RELEASED FOR PRODUCTION
 THIS PRODUCT HAS NOT COMPLETED
 VALIDATION TESTING

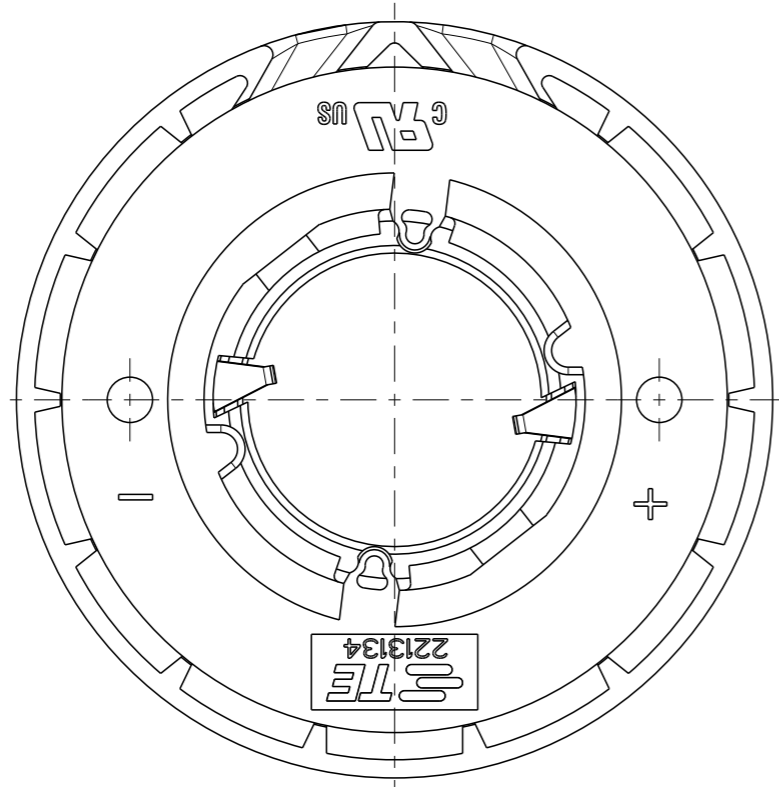
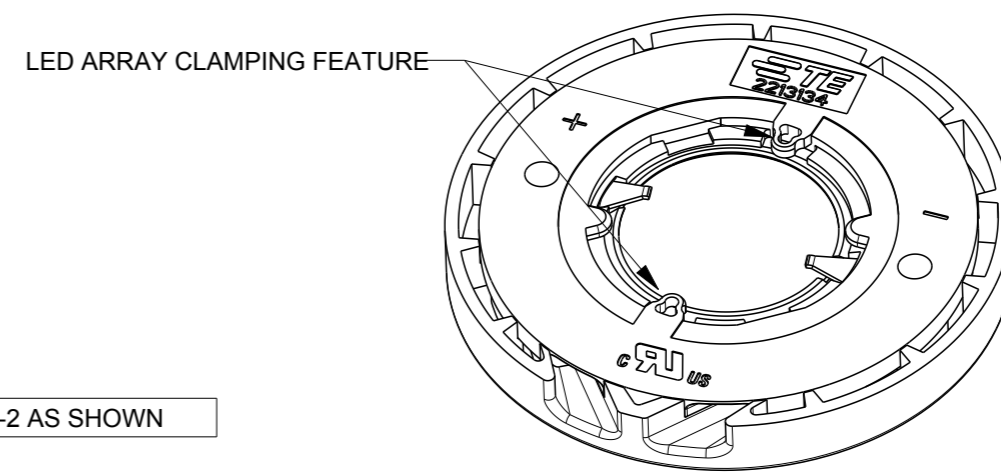
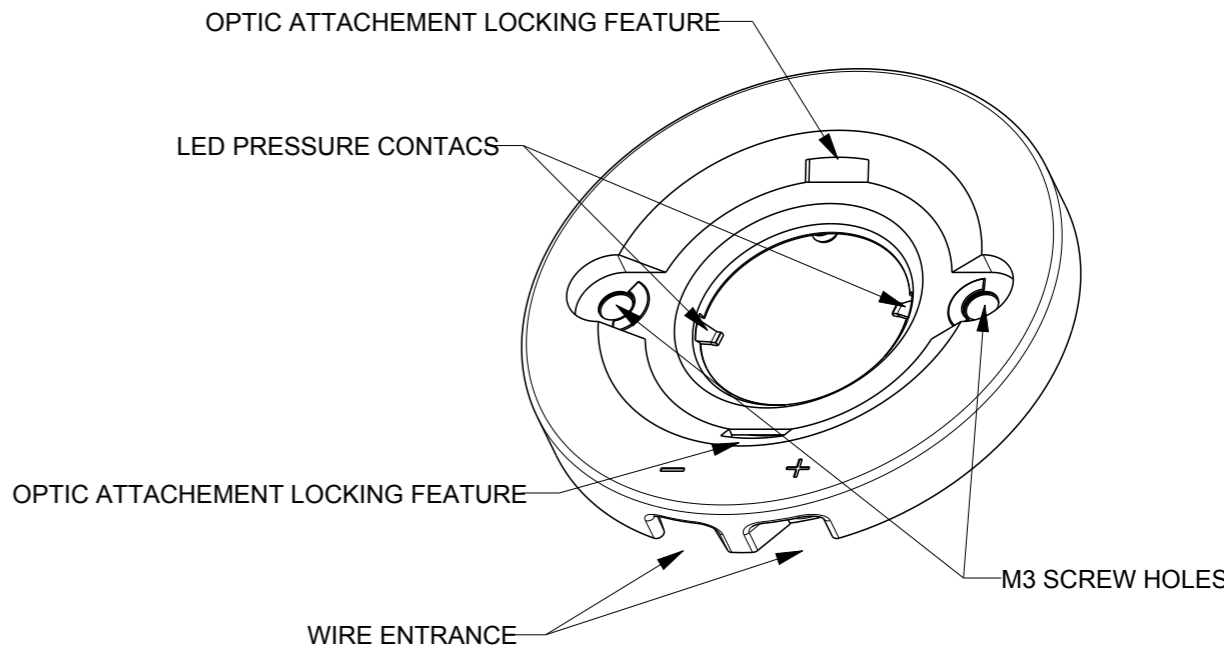
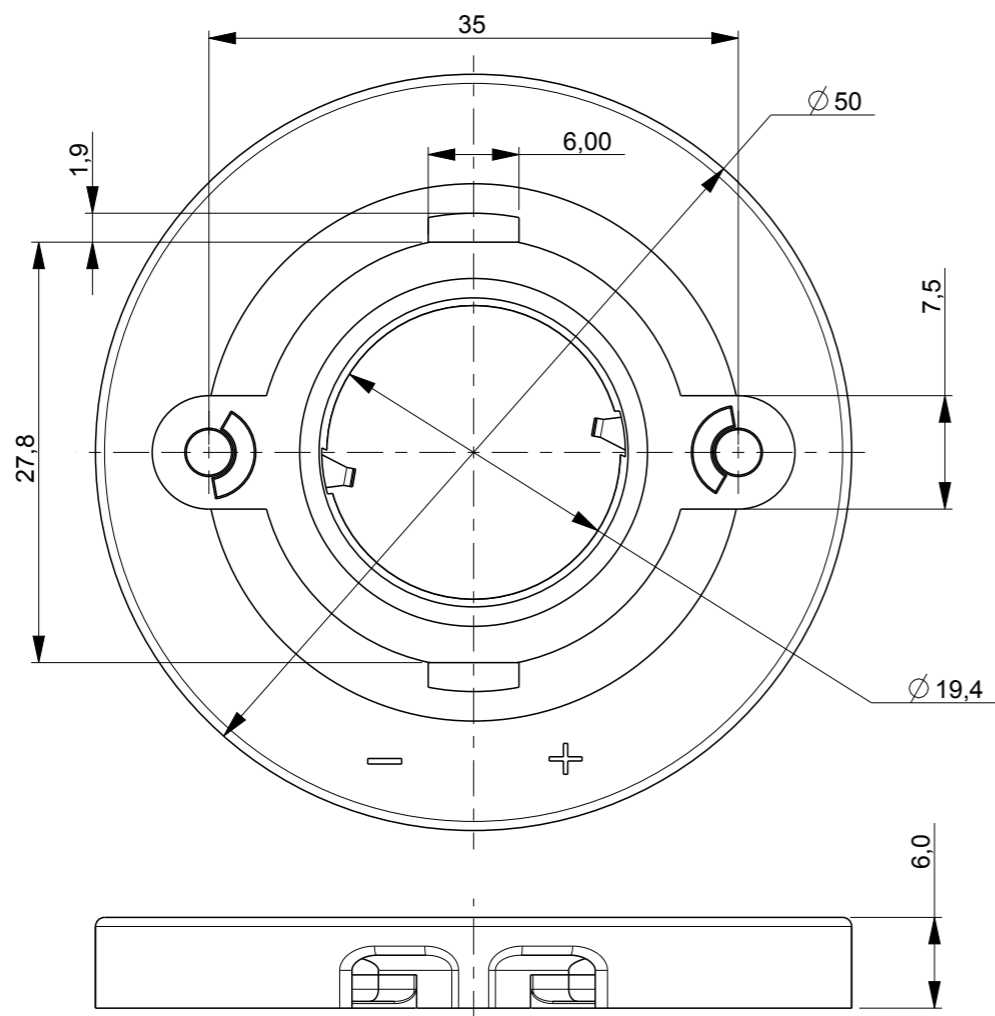
SCALE 2:1

THIS DRAWING IS UNPUBLISHED.

RELEASED FOR PUBLICATION

© COPYRIGHT- BY TYCO ELECTRONICS CORPORATION. ALL RIGHTS RESERVED.

LOC	DIST	REVISIONS					
H	-	P	LTR	DESCRIPTION	DATE	DWN	APVD
			-	SEE SHEET 1	-	-	-



2213134-2 AS SHOWN

Z50 LED HOLDER STANDARD PROFILE

SCALE 3:2

THIS DRAWING IS A CONTROLLED DOCUMENT.		DWN JK 09-AUG-2012	TE Connectivity	
DIMENSIONS: mm		CHK J.V.D.KROGT 09AUG2012		
TOLERANCES UNLESS OTHERWISE SPECIFIED:		APVD O.LEIJNSE 09AUG2012	NAME	
0 PLC ±-		PRODUCT SPEC 108-133008	Z50 LED HOLDER FOR LUXEON-K LED ARRAY 12 AND 16 UP	
1 PLC ±-		APPLICATION SPEC 114-32048		
2 PLC ±-		WEIGHT -	SIZE A3	CAGE CODE 00779
3 PLC ±-		CUSTOMER DRAWING	DRAWING NO C-C-2213134	
4 PLC ±-			RESTRICTED TO -	
ANGLES ±-		SCALE -		SHEET 2 OF 2
FINISH -		REV 3		