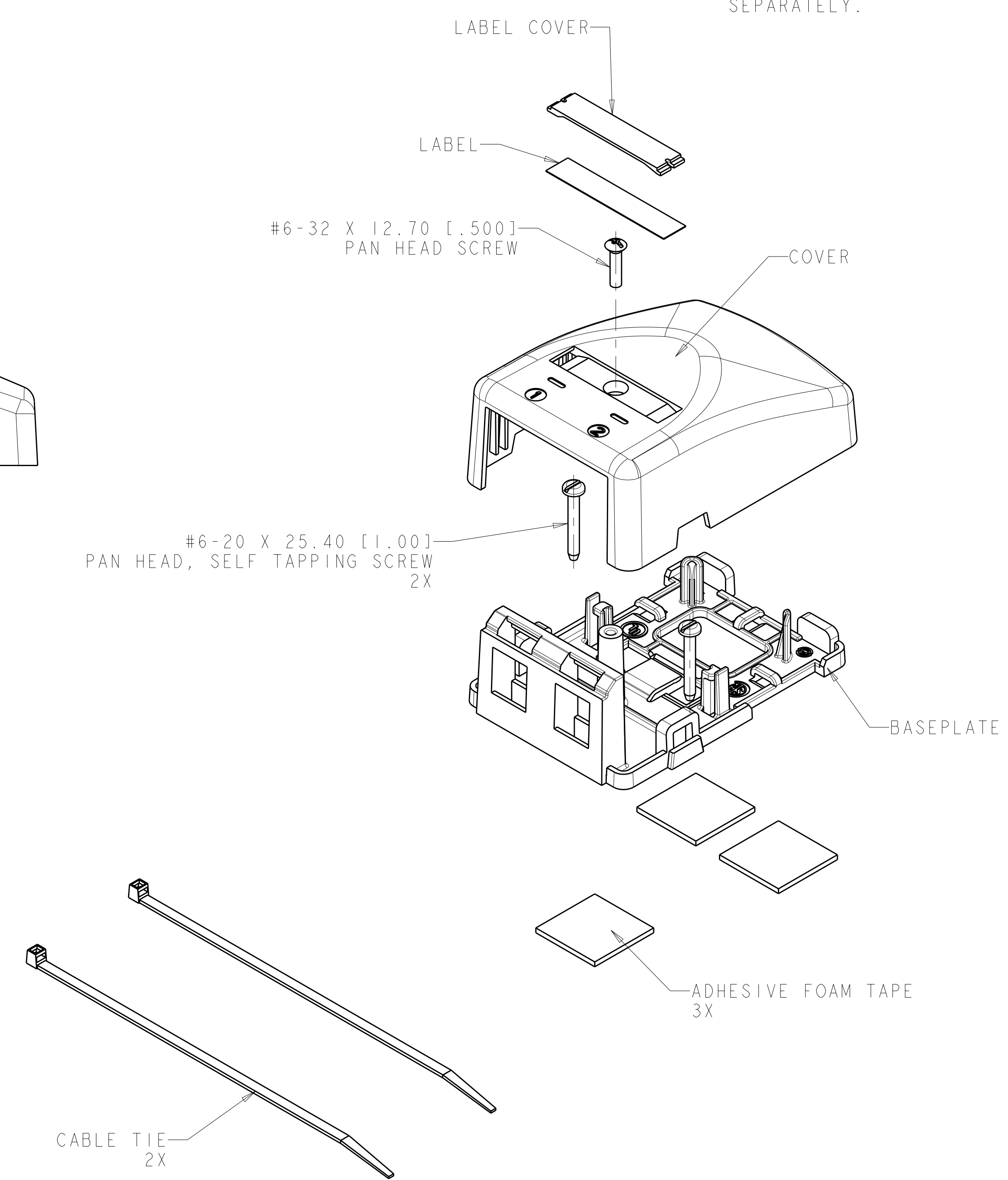
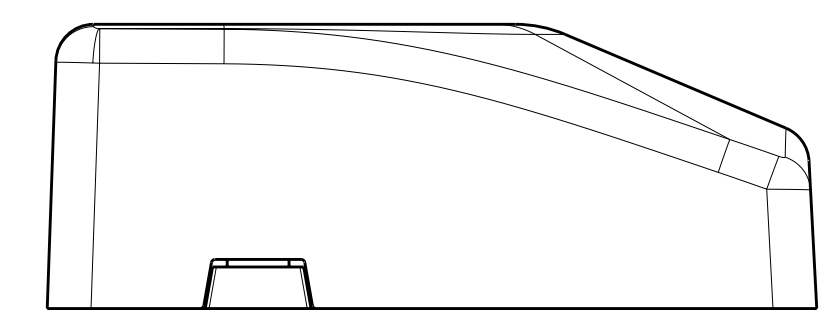
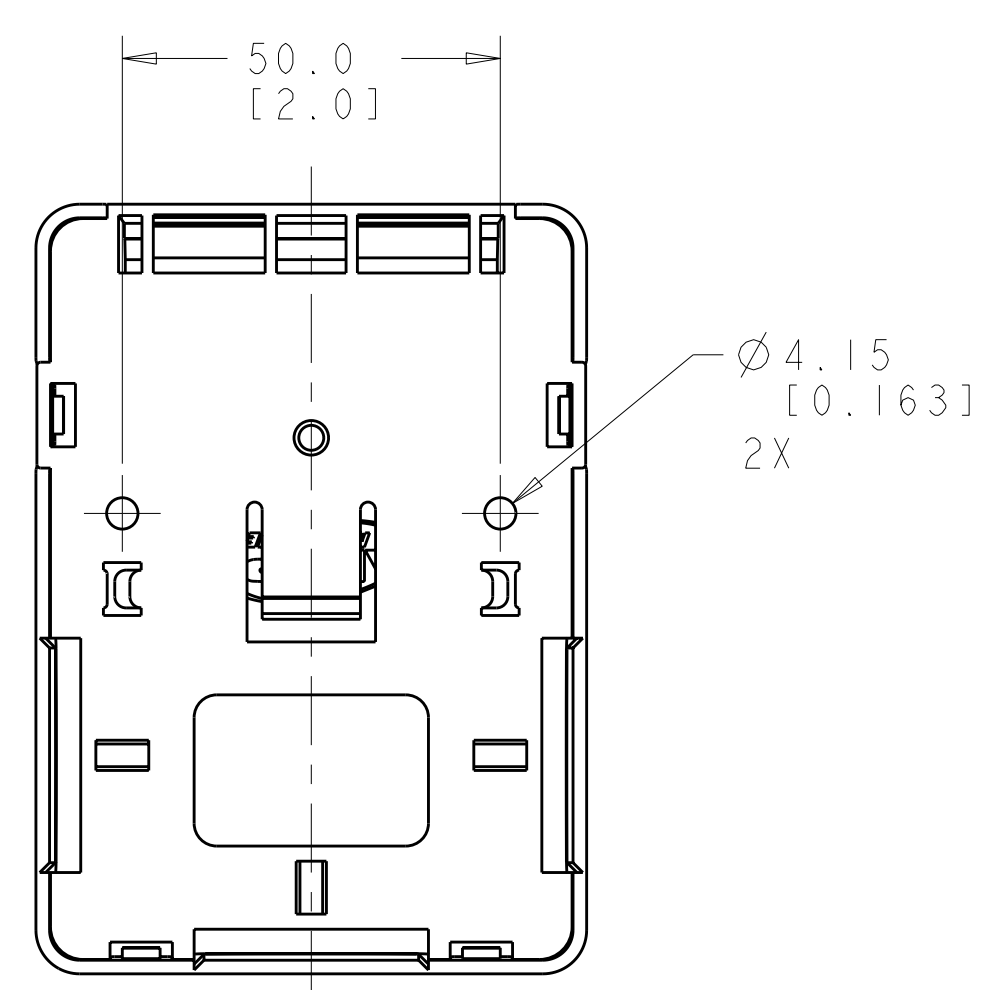
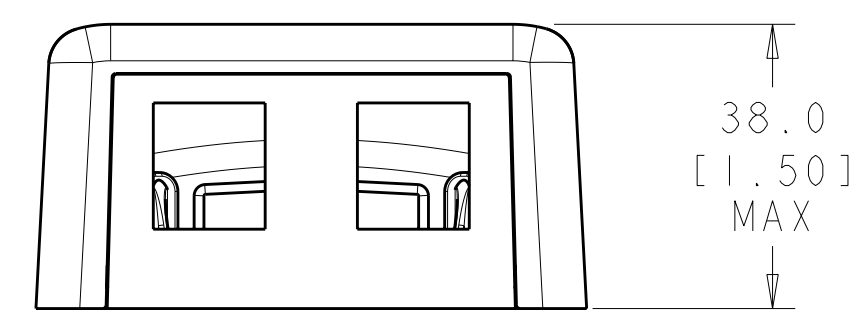
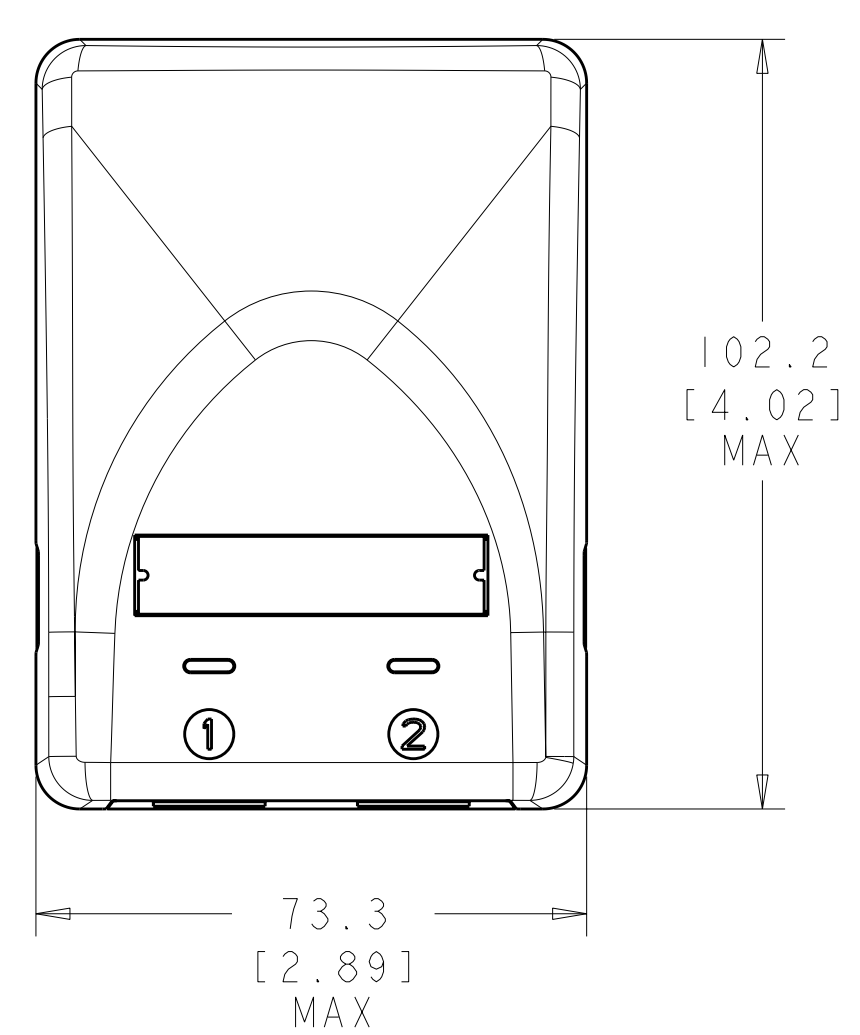


LOC	DIST	REVISIONS			
HM	00	REV	DATE	DWN	APVD
		A	RLSD; ECO-09-006765	16MAR2009	GG RA
		B	REV; ECO-10-012110	10JUN2010	GG RA



- △ MATERIAL: BASE AND COVER - POLYCARBONATE MOLDING COMPOUND. SEE TABLE FOR COLOR.
 LABEL COVERS - POLYCARBONATE MOLDING COMPOUND.
 LABELS - WHITE INDEX PAPER.
 SCREWS - ZINC PLATED CARBON STEEL.
 FOAM TAPE - POLYETHYLENE
 CABLE TIE - NYLON 6/6
- THIS KIT SHIPPED NOT ASSEMBLED.
 - ACCEPTS ANY COMBINATION OF SL-SERIES, AND AMP-TWIST MODULAR JACKS, MT-RJ OUTLET JACKS AND SL SERIES MULTI MEDIA INSERTS.
 - BASE ACCEPTS MAGNET FOR OPTIONAL MOUNTING TO METAL SURFACE. MAGNET (1933677-1) PURCHASED SEPARATELY.

ALPINE WHITE	1-1933668-3
ELECTRIC IVORY	1-1933668-1
NEMA GRAY	1933668-4
WHITE	1933668-3
BLACK	1933668-2
LIGHT ALMOND	1933668-1
COLOR	PART NUMBER

<small>THIS DRAWING IS UNPUBLISHED. RELEASED FOR PUBLICATION BY TYCO ELECTRONICS CORPORATION. ALL RIGHTS RESERVED.</small>		DWN J MCNEAL 08JUL2008 CHK S TOBEY 08JUL2008 APVD S TOBEY 08JUL2008	Tyco Electronics Harrisburg, PA 17105-3608
DIMENSIONS: mm [INCHES]	TOLERANCES UNLESS OTHERWISE SPECIFIED: 0 PLC ±. 1 PLC ±.25 2 PLC ±. 3 PLC ±. 4 PLC ±. ANGLES ±2° FINISH -	NAME KIT, 2 PORT SURFACE MOUNT MODULE PRODUCT SPEC - APPLICATION SPEC - WEIGHT - CUSTOMER DRAWING	SIZE CAGE CODE DRAWING NO RESTRICTED TO A 100779 C=1933668 - SCALE 1:2 SHEET 1 OF 1 REV B