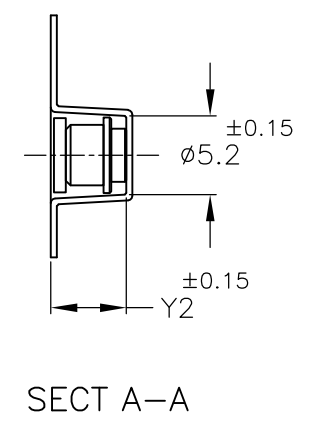
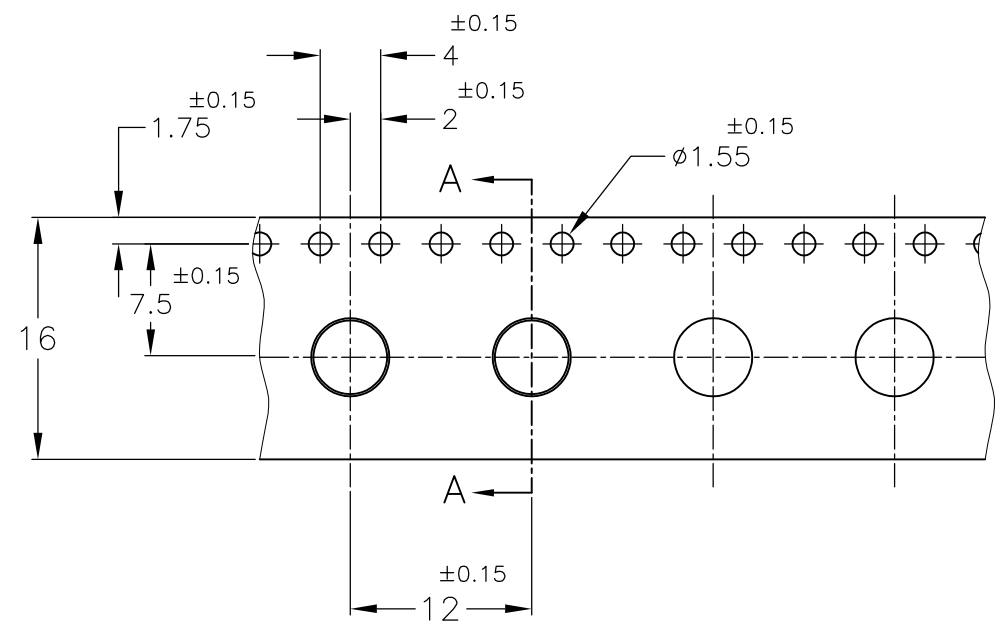
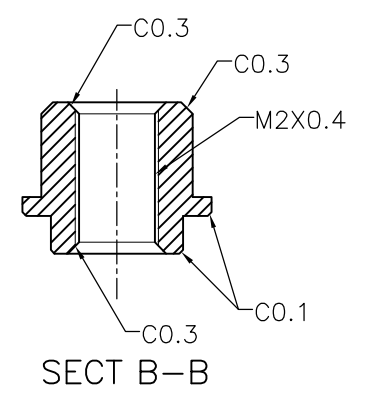
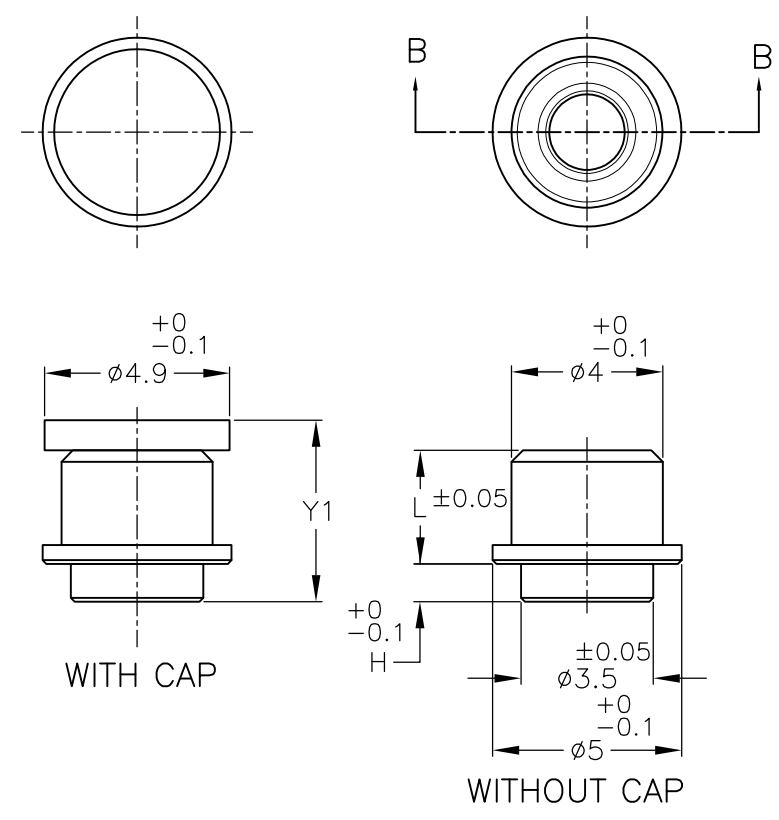


THIS DRAWING IS UNPUBLISHED. RELEASED FOR PUBLICATION SEP 2003.
 © COPYRIGHT 2003 By - ALL RIGHTS RESERVED.

LOC	DIST	REVISIONS					
		P	LTR	DESCRIPTION	DATE	DWN	APVD
J			C	REVISED PER ECR-14-002819	05MAR2014	I.T	W.H



EMBOSS PACKING
VIEW C

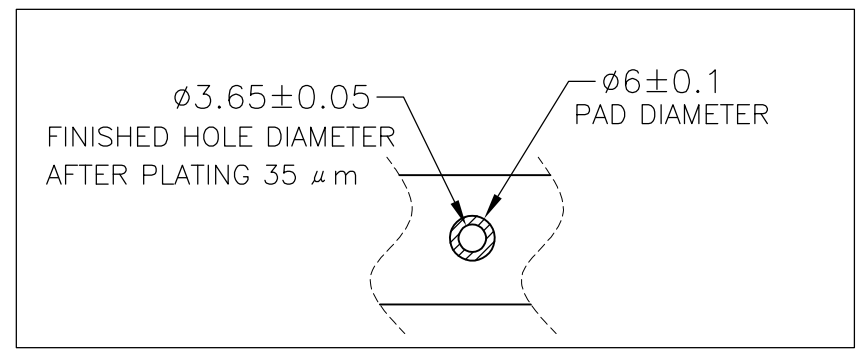


FIG. D RECOMMENDED PCB DESIGN

- 注記
1. 材料 : STUD : 黄銅
CAP : 46ナイロン
 2. 処理 : Ni 下地めっきの上に無光沢すずめっき
 3. 指示無きコーナーにバリ無きこと。
- △ FR-4, t=1.0REF

- NOTE
1. MATERIAL : STUD : BRASS
CAP : 46 NYLON
 2. FINISH : MATTE TIN PLATING AFTER Ni PLATING.
 3. NO BURR IS ALLOWED AT UNSPECIFIED CORNERS.
- △ FR-4, t=1.0REF

①	1000	5.8	5.6	0.6	4.2	1717786-5
②	1200	4.6	4.4	0.6	3.0	1717786-4
③						
④	800	9.0	8.8	1	7.0	1717786-2
⑤	1000	5.0	4.8	1	3.0	1717786-1
	PACKAGE	Y2	Y1	H	L	P/NO.

THIS DRAWING IS A CONTROLLED DOCUMENT.

DIMENSIONS: 単位: 耗 MM	TOLERANCES UNLESS OTHERWISE SPECIFIED: 一般公差	DWN H.TAKASU 16SEP03	TE Connectivity			
0 PLC ± 0.3 1 PLC ± 0.3 2 PLC ± 0.1 3 PLC ± 4 PLC ±	ANGLES ± 1	CHK K.KODAIRA 16SEP03				
MATERIAL 材料 SEE TABLE	FINISH 仕上	APVD K.KODAIRA 16SEP03	NAME 名称 EMBOSS PACKAGE, MDC-STUD			
		PRODUCT SPEC 製品規格	SIZE	CAGE CODE	DRAWING NO 番号	RESTRICTED TO
		APPLICATION SPEC 取付適用規格	A3	00779	C-1717786	-
		WEIGHT	CUSTOMER DRAWING			SCALE 尺度 NTS
			SHEET 1 OF 2			REV C

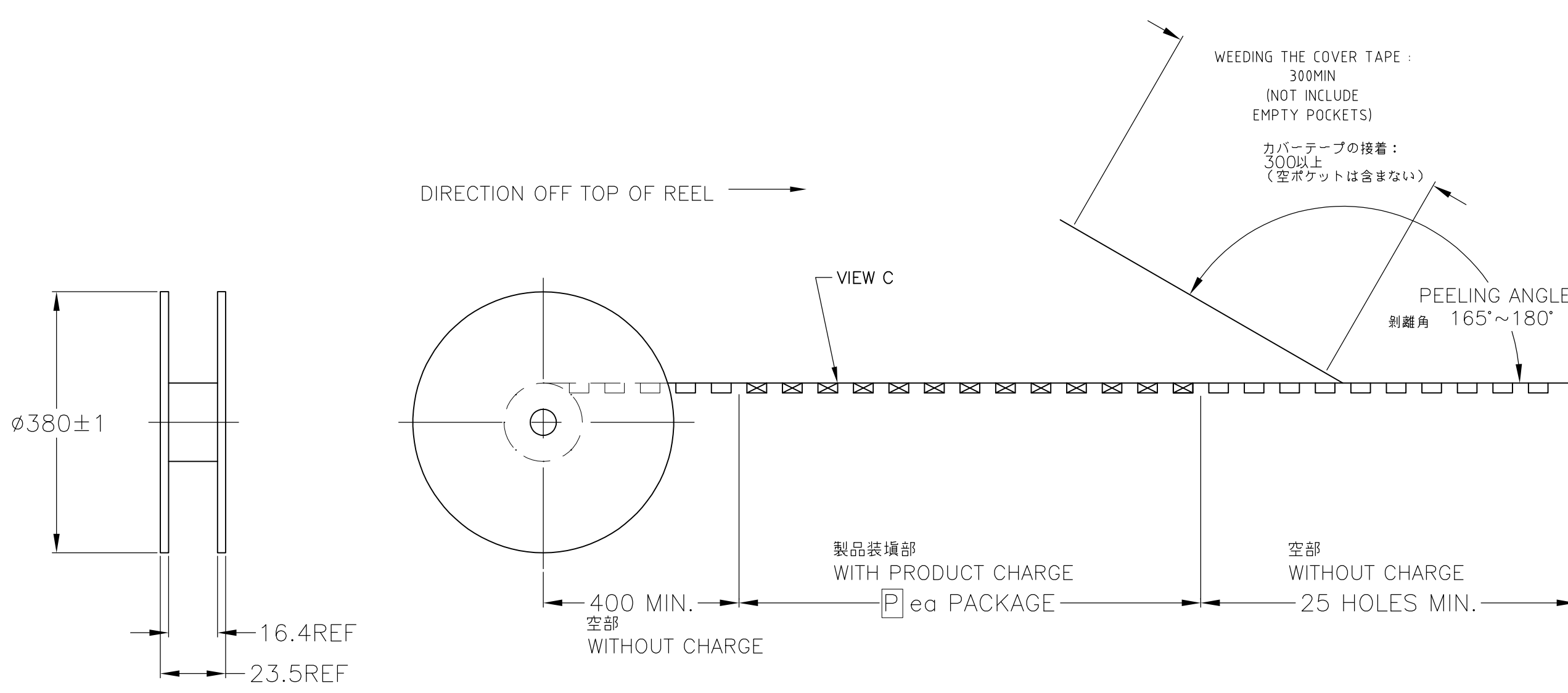
THIS DRAWING IS UNPUBLISHED.


RELEASED FOR PUBLICATION SEP 01 .

© COPYRIGHT 2003 By -

ALL RIGHTS RESERVED.

LOC	DIST	REVISIONS					
J		P	LTR	DESCRIPTION	DATE	DWN	APVD
		-		SEE SHEET 10F2	-	-	-



THIS DRAWING IS A CONTROLLED DOCUMENT.		DWN H.TAKASU 16SEP2003	 TE Connectivity		
DIMENSIONS: 単位: 耗 MM		CHK K.KODAIRA 16SEP2003			
TOLERANCES UNLESS OTHERWISE SPECIFIED: 一般公差		APVD K.KODAIRA 16SEP2003	NAME 名称 EMBOSS PACKAGE, MDC-STUD		
0 PLC ± 0.3 1 PLC ± 0.3 2 PLC ± 0.1 3 PLC ± 4 PLC ± ANGLES ± 1		PRODUCT SPEC 製品規格	SIZE A3		
MATERIAL 材料 SEE TABLE		APPLICATION SPEC 取付適用規格	CAGE CODE 00779	DRAWING NO 番号 C-1717786	RESTRICTED TO -
		WEIGHT	SCALE 尺度 NTS		SHEET 2 OF 2
		CUSTOMER DRAWING	REV C		