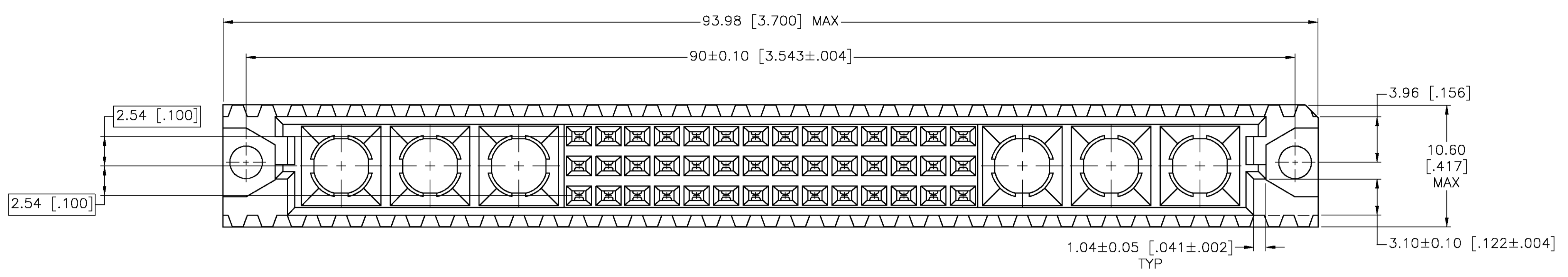
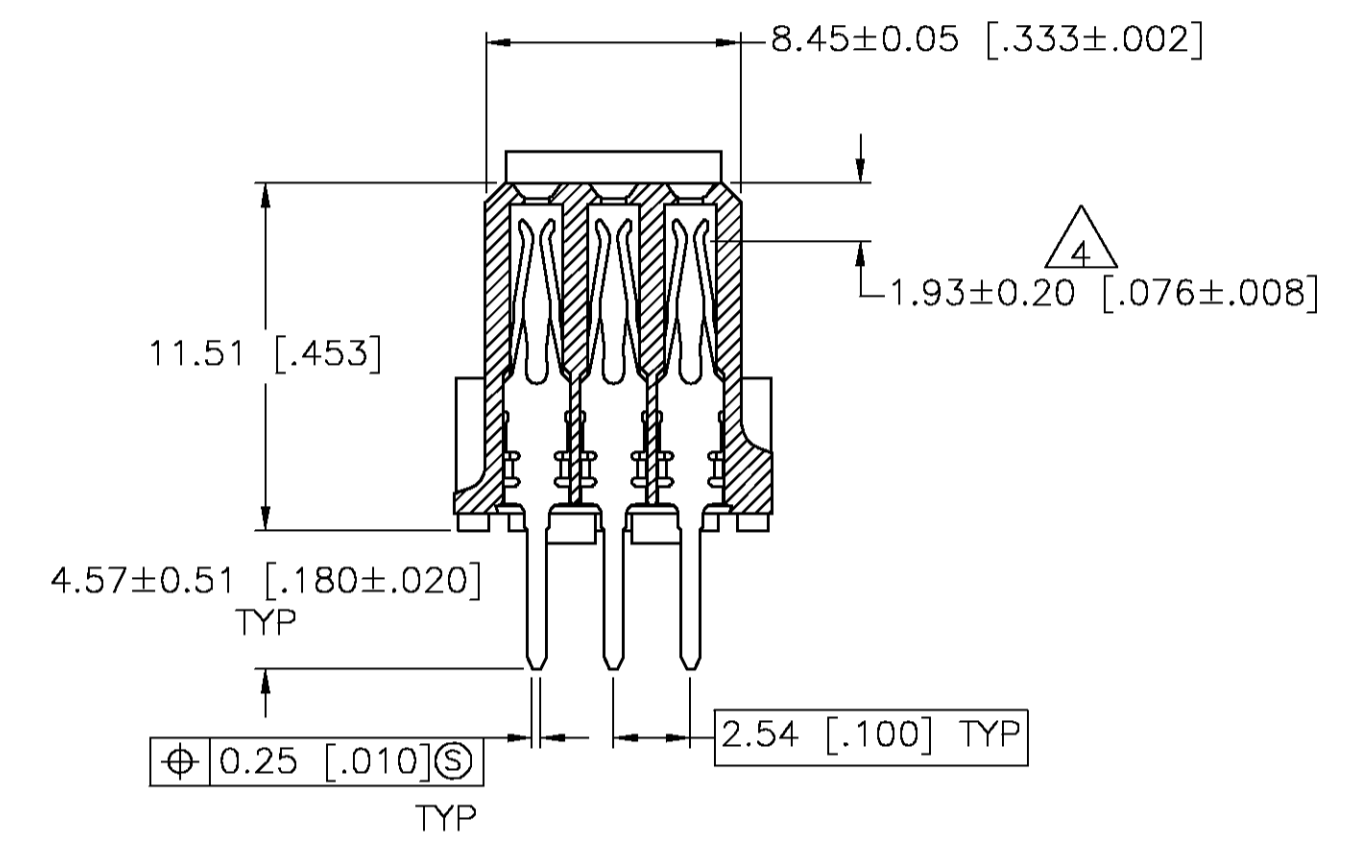
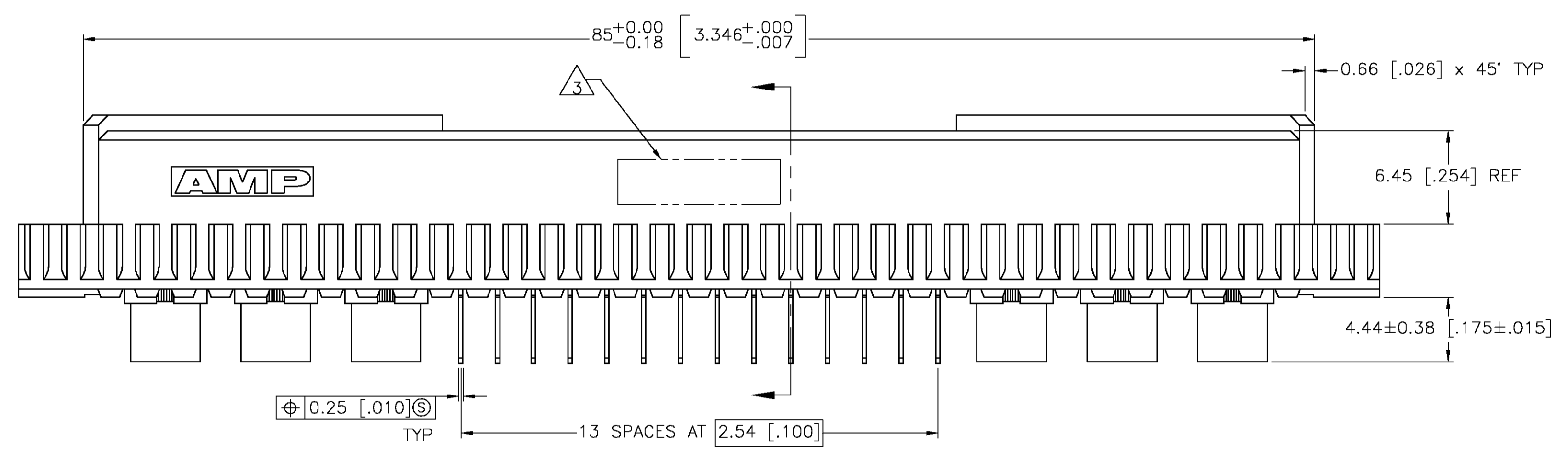


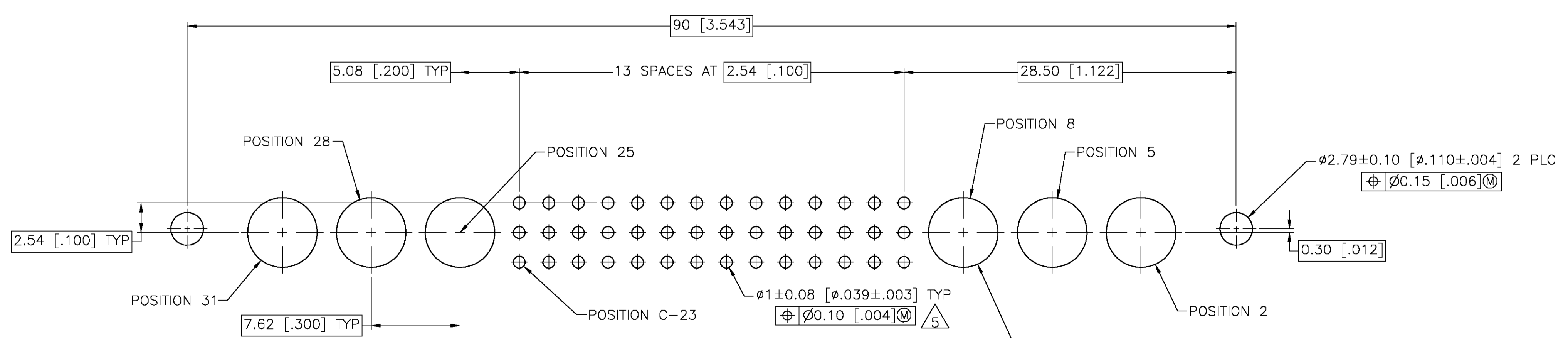
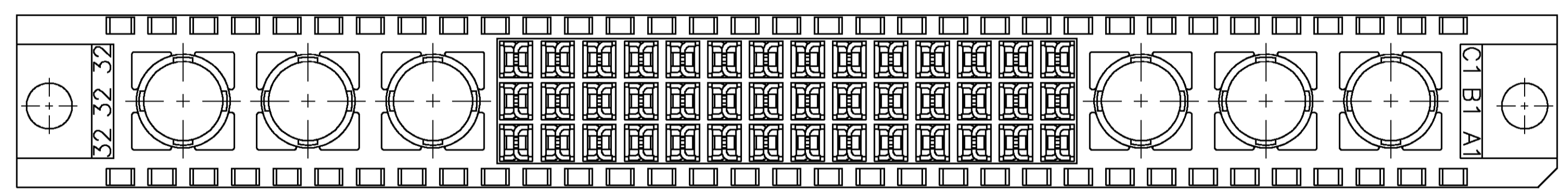
LOC		DIST		REVISIONS			
AD	00	F	LTR	DESCRIPTION	DATE	DN	APD
		O	REV PER EC	OS12-0251-04	17MAY04	NK	AS



- 1 HOUSING: GLASS-FILLED POLYESTER, GRAY.
SIGNAL CONTACT: PHOSPHOR BRONZE.
POWER CONTACT: COPPER ALLOY.
- 2 SIGNAL CONTACT: DIN 41612 CLASS 1 IN CONTACT AREA.
TIN-LEAD ON TAILS.
POWER CONTACT: DIN 41612 CLASS 1 IN CONTACT AREA.
- 3 PART NUMBER, DATE CODE IDENTIFICATION, CSA LOGO HOT STAMPED THIS APPROXIMATE AREA. OPPOSITE SIDE SHOWN.
- 4 CONTACT POINT, SIGNAL CONTACT.
- 5 RECOMMENDED HOLE SIZE FOR MANUAL APPLICATION OF CONNECTOR ONTO PC BOARD.



POWER CONTACT REMOVED FOR CLARITY



PC BOARD LAYOUT

148686-1
PART NUMBER

THIS DRAWING IS A CONTROLLED DOCUMENT.		DIN 9 CARBO 23FEB04		Tyco Electronics Corporation Harrisburg, Pa 17105-3608	
DIMENSIONS: mm [INCHES]		GIK A SHARPE 23FEB04		APD A SHARPE 23FEB04	
TOLERANCES UNLESS OTHERWISE SPECIFIED:		PRODUCT SPEC		NAME: RECEPTACLE ASSEMBLY, EUROCARD, TYPE M, 42 + 6	
0 PLC ± -		APPLICATION SPEC		SIZE: A1	
1 PLC ± -		WEIGHT		CAGE CODE: 00779	
2 PLC ± -		CUSTOMER DRAWING		DRAWING NO: 148686	
3 PLC ± -		SCALE: 4:1		SHEET 1 OF 1	
4 PLC ± -		REV: 0		REV: 0	
ANGLES ± -					
FINISH					