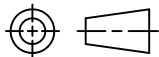




DRAWN E.SIMPSON	APPROVAL B. TOEPFER	DATE 05-26-05	SCALE 1:1
--------------------	------------------------	------------------	--------------

CUSTOMER
TYCO_ELECTRONICS_STANDARD

TOLERANCE UNLESS SPECIFIED OTHERWISE	0.X = +/- 0.XX = +/- 0.XXX = +/- ANGLES = +/-
---	--


 DO NOT SCALE THIS DRAWING

CHANGES			
REV.	DATE	CO	APP.
	08-19-05	RELEASE EDS	B.T.
	28APR2010	ECR-10-008018	BT

ELECTRICAL CHARACTERISTICS: (ALL DATA APPLIES @ 23°C UNLESS OTHERWISE SPECIFIED)

COIL DATA:

NOMINAL VOLTAGE:	24 VDC
OPERATE VOLTAGE:	15.6 VDC MAXIMUM
RELEASE VOLTAGE:	2.4 VDC MINIMUM
COIL RESISTANCE:	360 OHMS +/- 10%
OPERATE TIME:	10 mSEC. MAXIMUM EXCLUDING BOUNCE
RELEASE TIME:	13 mSEC. MAXIMUM EXCLUDING BOUNCE
TEMPERATURE RANGE:	OPERATING -40°C TO +85°C

CONTACT DATA: (CONTACT DATA IS FORMATTED N.O./N.C.)

CONTACT ARRANGEMENT:	1 FORM C (SPDT)
CONTACT MATERIAL:	AgSnO (SILVER TIN-OXIDE)
CONTACT MILLIVOLT DROP:	200mv @ 35A ON N.O. CONTACTS (AFTER SWITCHING) 250mv @ 20A ON N.C. CONTACTS (AFTER SWITCHING)
MAXIMUM MAKE CURRENT:	90A/30A (LAMP) @ 16 VDC
MAXIMUM BREAK CURRENT:	40A/30A @ 16 VDC RESISTIVE
MAXIMUM CONTINUOUS CURRENT:	40A/30A @ 23°C , 35A/20A @ 85°C
INITIAL BREAKDOWN CURRENT	500V RMS CONTACTS TO COIL

EXPECTED LIFE: 100,000 OPERATIONS, 40 A, 14 VDC RESISTIVE ON NORMALLY OPEN CONTACT

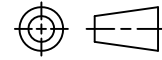
MECHANICAL CHARACTERISTICS:

EXPECTED LIFE:	10 MILLION OPERATIONS, NO CONTACT LOAD
TERMINALS	BRASS, UNPLATED

DRAWN E.SIMPSON	APPROVAL B. TOEPFER	DATE 05-26-05	SCALE 1:1
--------------------	------------------------	------------------	--------------

CUSTOMER
TYCO_ELECTRONICS_STANDARD

TOLERANCE 0.X = +/-
 UNLESS 0.XX = +/-
 SPECIFIED 0.XXX = +/-
 OTHERWISE ANGLES = +/-



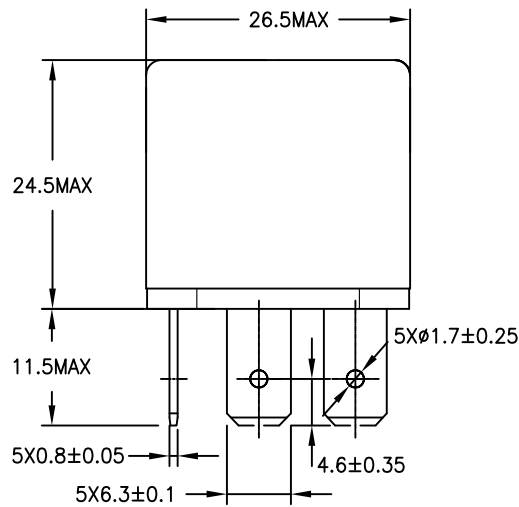
DO NOT SCALE THIS DRAWING

REV B

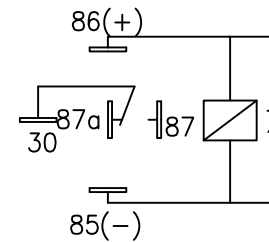
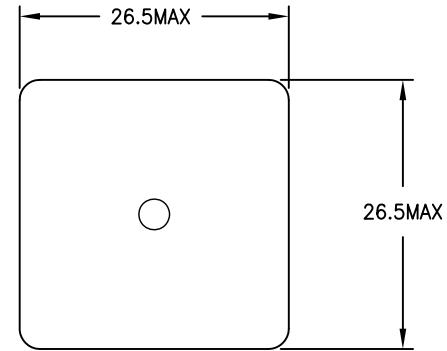
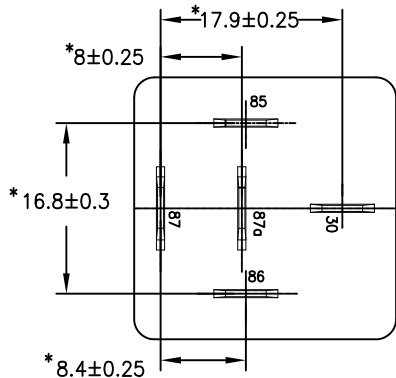
MILLIMETERS

MARKING TO INCLUDE:

TYCO ELECTRONICS NAME, TYCO ELECTRONICS PART NUMBER, SCHEMATIC,
 COIL VOLTAGE, COUNTRY OF ORIGIN, AND DATE CODE



K
K ASPECT



SCHEMATIC DRAWING
(BOTTOM VIEW)

* TERMINAL LOCATIONS
APPLY AT THE BASE
OF THE TERMINALS