

Surface-Mount Headers, .050 [1.27] Centers, Board-to-Board

Double Row, Vertical



Photo 109793

Material and Finish:

Housing—Glass filled, black thermoplastic, 94V-0 rated

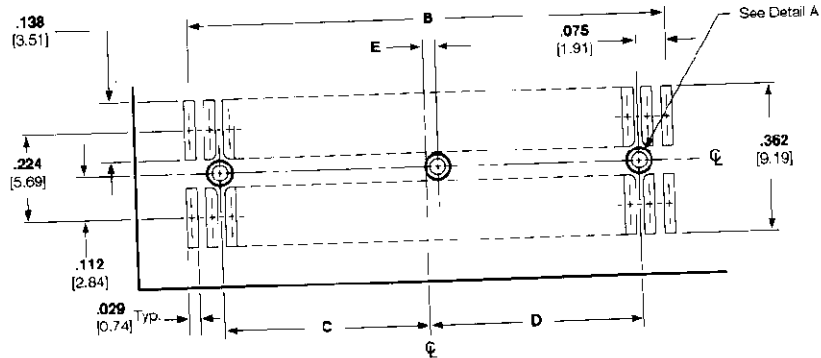
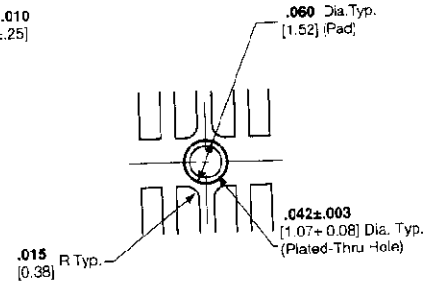
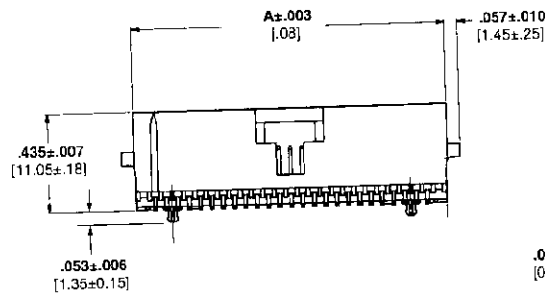
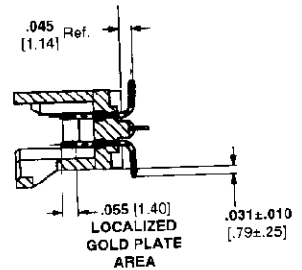
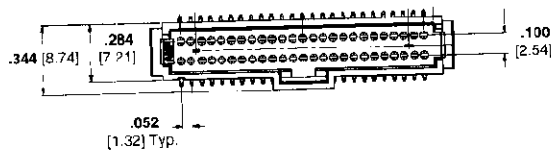
Contacts—Phosphor bronze, plated .000030 (0.00076) gold in mating area, .000150 (0.00381) tin-lead on solder tail, with entire contact under-plated .000050 (0.00127) nickel

Holddown—Copper alloy, plated .000150 tin-lead over .000050 (0.00127) nickel

Technical Documents (page 70):

Product Specification 108-1393

Application Specification
114-25035



Recommended PC Board Layout

No. of Positions	Dimensions					Part Numbers	
	A	B	C	D	E	Pkg in Tube	Pkg in Tape & Reel*
10	.380 9.65	.200 5.08	—	.025 0.64	—	104549-1	146351-6
12	.430 10.92	.250 6.35	—	—	—	1-104549-1	—
20	.630 16.00	.450 11.43	.150 3.81	.150 3.81	—	104549-2	146351-2
24	.730 18.54	.550 13.97	.200 5.08	.200 5.08	—	104549-3	146351-4
30	.880 22.35	.700 17.78	.275 6.99	.275 6.99	—	104549-5	146351-5
40	1.130 28.70	.950 24.13	.400 10.16	.400 10.16	—	104549-6	146351-1
50	1.380 35.05	1.200 30.48	.525 13.34	.525 13.34	.025 0.64	104549-7	146351-3
60	1.630 41.40	1.450 36.83	.650 16.51	.650 16.51	.000	104549-8	146351-7
80	2.130 54.10	1.950 49.53	.900 22.86	.900 22.86	.000	104549-9	146351-8
100	2.630 66.80	2.450 62.23	1.150 29.21	1.150 29.21	.000	1-104549-0	146351-9

*Parts packaged in tape and reel without hold downs and with vacuum pick and place button