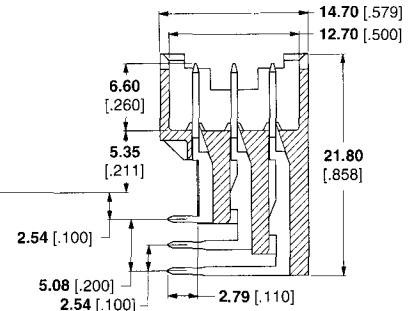
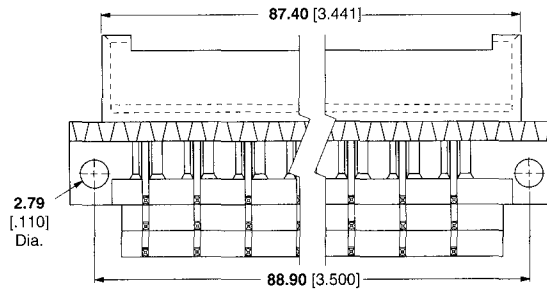
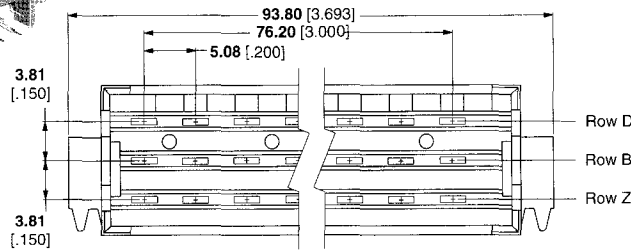
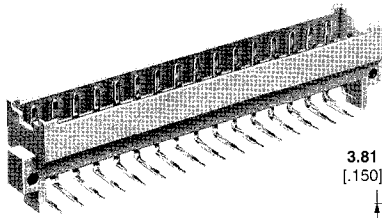


Type F Right Angle Pin Assemblies with Solder Posts



Material

Housing — Glass filled polymer
Contacts — Copper alloy

Related Product Data

- DIN Performance Levels** — Page 6
- Performance Specifications** — Page 8
- Mateable Connectors** — Pages 37, 38, 40
- PC Board Hole Layout** — Page 61
- Accessories** — Pages 67-69
- Technical Documents** — Page 74:
DIN Specification 41612
IEC Specification 60603-2
Instruction Sheet 408-6784

Type F Assemblies

Standard Size

Number of Positions	Rows Loaded	DIN Level	Part Number	
			—	MFBL*Z32
48	Z,B,D	II	2-164045-4	—
		III	2-164045-8	—
32	Z,B	III	—	188250-8
32	Z,D	II	2-164306-4	—

* MFBL (Make First/Break Last)