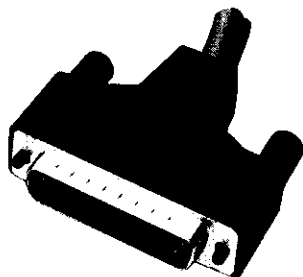


HDE-20 Shielding Hardware Enclosure Kits

Plug



Each kit contains:

- Connector
- Inner shield
- Outer shield
- Enclosure
- Two jackscrews

Ferrules must be purchased separately.

Material and Finish:

Connector Shell—Steel, tin plated

Connector Insert—94V-0 rated thermoplastic, black

Shield—Steel, tin plated

Enclosure—PVC, black

Jackscrews—Zinc alloy

Contacts—Phosphor bronze

Contact Finish—Duplex plated:

A—000030 [0.00076] gold on mating end, tin-lead on termination end, with entire contact nickel underplated

B—Gold flash on mating end, tin-lead on termination end, with entire contact nickel underplated

Related Product Data:

Contact Arrangements—page 41

Performance Characteristics—page 42

Application Tooling—pages 126-128

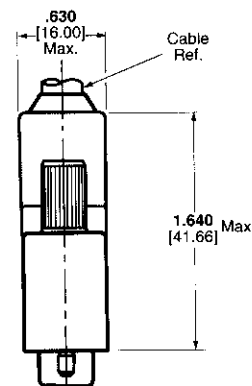
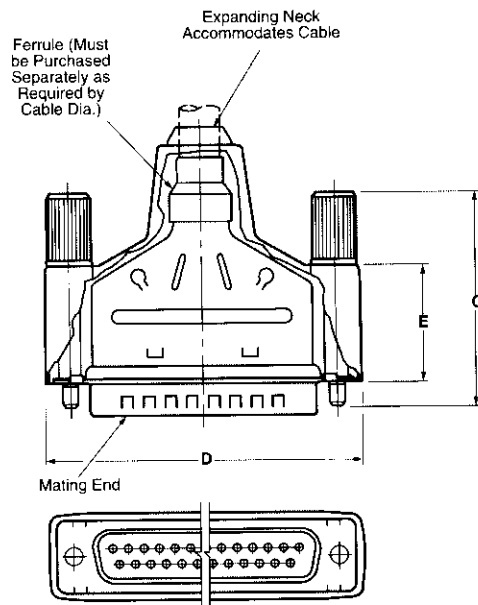
Mateable Connectors:

HDP—pages 95-102

HD-20 Board Mount—pages 55-72, 83-90, 92-94

Mating Hardware—pages 151-155, 158, 160

Mating/Panel Mounting—page 43



Technical Documents:

Product Specifications—

108-40011

108-40030

Application Specifications—

114-40002

114-40003

114-40006

114-40008

Instruction Sheet—408-9172

Note: Instruction Sheets for AMP Tooling are packaged with the tooling. For additional information call the Tooling Assistance Center: **1-800-722-1111.**

Shell Size	No. of Contact Pos.	Dimensions			Recommended Cable Outer Dia. Range	Max. Inner Cable Bundle Dia.†	Contact Finish (Plating Code)	Kit Part Numbers			Shielding Enclosure Expansion Tool	
		C	D	E				Contact I.D. No. 1 for 30-26 AWG [0.05-0.15mm ²]	Contact I.D. No. 2 for 26-22 AWG [0.15-0.4mm ²]	Contact I.D. No. 3 for 22-20 AWG [0.4-0.6mm ²]	Cable O.D. (Max.)	Part No.
								Plug	Plug	Plug		
1	9	1.640 41.66	1.355 34.42	.630 16.00	.190-.330 4.83-8.38	.330 8.38	A	—	747944-2	—	.330 8.38	58241-4
								—	747944-5	—		
2	15	1.640 41.66	1.685 42.80	.630 16.00	.190-.330 4.83-8.38	.330 8.38	A	—	747946-2	—	.450 11.43	58241-1
								—	747946-5	—		
3	25	1.640 41.66	2.210 56.13	.630 16.00	.217-.435 5.51-11.05	.350 8.89	A	747948-1	747948-2	—	.572 14.52	58241-2
								747948-4	747948-5	747948-6		
4	37	2.010 51.05	2.865 72.77	.730 18.54	.338-.562 8.59-14.28	.450 11.43	A	747950-1	747950-2	—	.572 14.52	58241-2
								—	747950-5	—		

†Maximum cable diameter after jacket and braid removed.