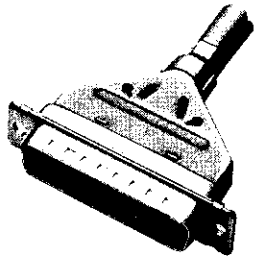
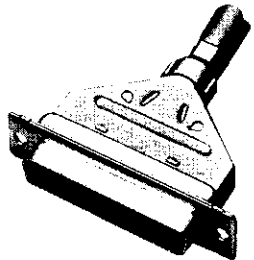


HDP-22 Crimp Snap-In Contact Connectors (Continued)

Basic Shielding Hardware Kits



Plug



Receptacle

Each kit contains:

- Connector
- Inner shield
- Outer shield

Contacts and ferrules must be purchased separately.

Material and Finish:

Connector Shell—Steel, tin plated

Connector Insert—94V-0 rated thermoplastic, black

Shields—Steel, tin plated

Related Product Data:

Contact Arrangements—page 41

Performance Characteristics—page 42

Contacts—page 114

Ferrules—page 113

Application Tooling—pages 113 & 114

Mateable Connectors—

pages 110 & 112

Mating Hardware—pages 151-155, 158, 160

Mating/Panel Mounting—page 43

Technical Documents:

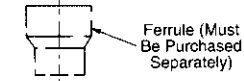
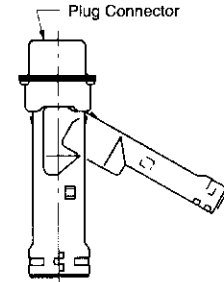
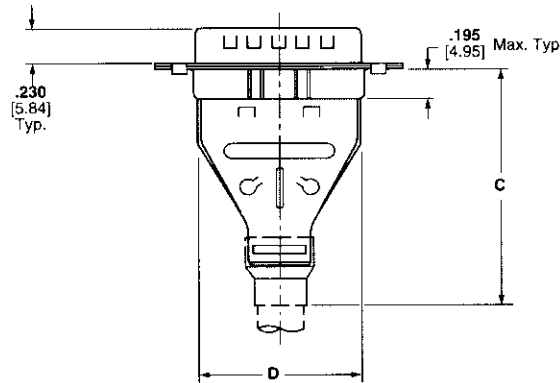
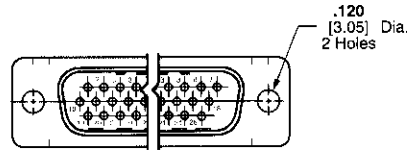
Application Specifications—114-10001

Product Specification—108-1268

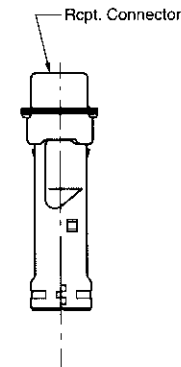
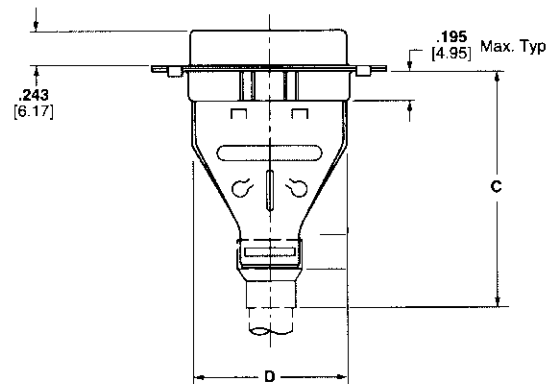
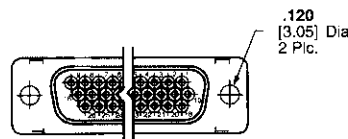
Instruction Sheet—408-9381, 408-9010

Note: Instruction Sheets for AMP Tooling are packaged with the tooling. For additional information call the Tooling Assistance Center: **1-800-722-1111**.

Plug



Receptacle



Shell Size	No. of Contact Positions	Dimensions		Recommended Cable Outer Dia. Range	Max. Inner Cable Bundle Dia.†	Kit Numbers	
		C	D			Plug	Receptacle
1	15	1.535 38.99	.700 17.78	.165-.455 4.19-11.56	.350 8.89	748468-1	748634-1
2	26	1.535 38.99	1.024 26.01	.165-.455 4.19-11.56	.350 8.89	748469-1	748635-1
3	44	1.535 38.99	1.576 40.03	.165-.455 4.19-11.56	.350 8.89	748470-1	748636-1
4	62	1.892 48.06	2.215 56.26	.338-.562 8.59-14.28	.450 11.43	748471-1	—
5	78	1.876 47.65	2.120 53.85	.338-.490 8.59-12.45	.450 11.43	748472-1	—

Notes: 1. Plugs accept size 22 DF pin contacts and receptacles accept size 22 DF socket contacts.
2. Components of the kits are shipped unassembled and bulk-packaged in quantities of 100 pieces.
†Maximum cable diameter after jacket and braid removed.

Cable Connectors