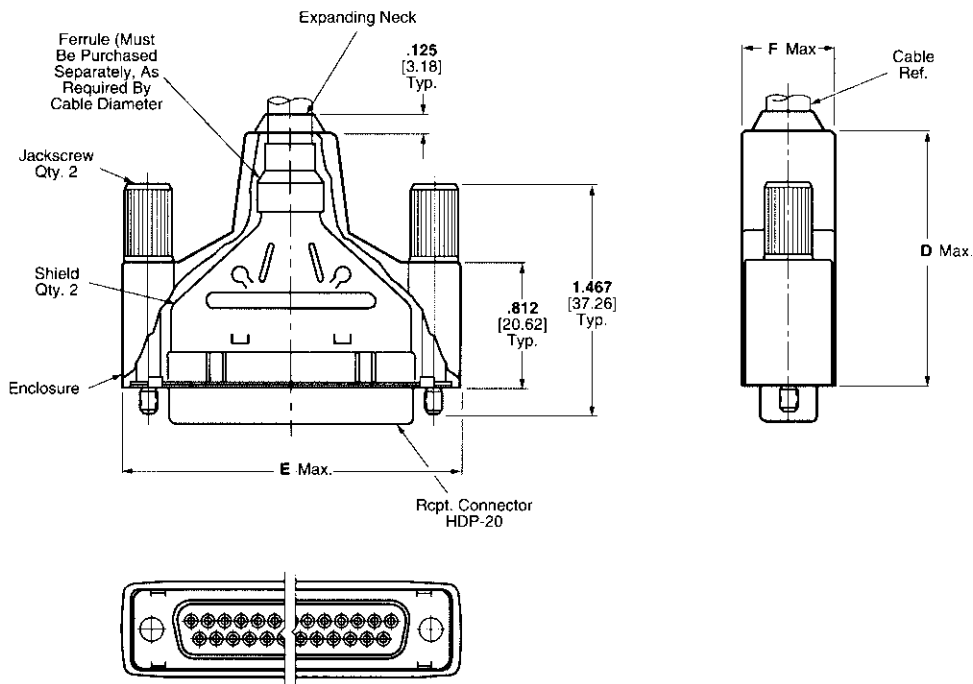
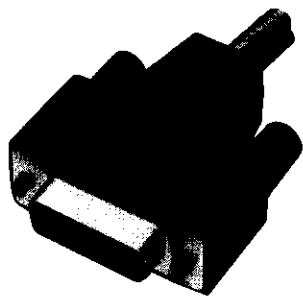


HDP-20 Shielding Hardware Enclosure Kits (Continued)

Receptacle



Cable Connectors

Shell Size	No. of Contact Positions	Dimensions			Recommended Cable Outer Diameter Range	Max. Inner Cable Bundle Dia.†	Insert Material	Kit Numbers		Shielding Enclosure Expansion Tool	
		D	E	F				Plug	Receptacle	Cable O.D. (Max.)	Part Number
1	9	1.660 42.16	1.355 34.42	.630 16.00	.190-.330 4.83-8.38	.330 8.38	94V-0	747952-1	747951-1	.330 8.38	58241-4
2	15	1.660 42.16	1.685 42.80	.630 16.00	.190-.330 4.83-8.38	.330 8.38	94V-0	747954-1	747953-1	.450 11.43	58241-1
3	25	1.660 42.16	2.210 56.13	.630 16.00	.217-.435 5.51-11.05	.350 8.89	94V-0	747956-1	747955-1	.572 14.52	58241-2
4	37	2.010 51.05	2.865 72.77	.730 18.54	.338-.562 8.59-14.28	.450 11.43	94V-0	747958-1	747957-1		
5	50	2.010 51.05	2.775 70.49	.730 18.54	.338-.562 8.59-14.28	.450 11.43	94V-0	747960-1	747959-1		

Notes: 1. Plugs accept size 20 DF pin contacts and receptacles accept size 20 DF socket contacts.
 2. Components of the kits are shipped unassembled and bulk-packaged in quantities of 100 pieces.
 †Maximum cable diameter after jacket and braid removed.