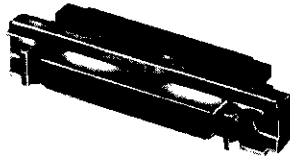
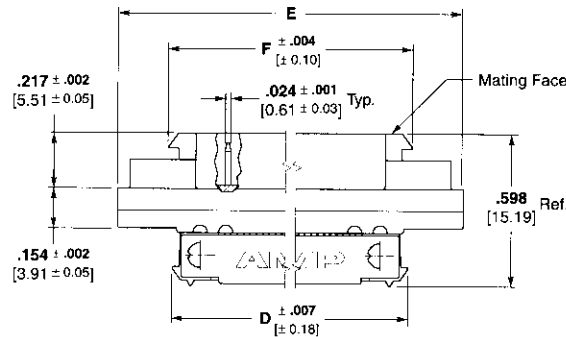
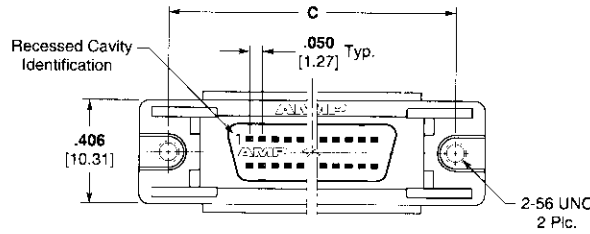


**AMPLIMITE .050 Series Panel Mount Plug Assemblies
With Rails, Latch Blocks, Series III**



Plug



AMPLIMITE .050 Series
Connectors, Series III

Materials:

Housing and Termination Covers—Thermoplastic, 94V-0 rated, black

Bracket—Zinc, plated nickel over copper

Contacts—Phosphor bronze, duplex plated .000030 [0.00076] min. gold on mating end, bright tin-lead in termination area, all nickel underplated

Recommended wire size—28 AWG [0.08-0.09mm²] or 30 AWG [0.05mm²], solid or 7 strand, with a .029-.036 [0.74-0.89] insulation diameter or .050 [1.27] centerline, 28 AWG [0.08-0.09mm²] stranded, PVC, flat ribbon cable.

Technical Documents:

Product Specifications—108-1228
Application Specifications—114-40029

Note: Extra pin contact protection is provided by rails, which facilitate a straight-out, unmating motion. A side-to-side rocking motion should not be used to disengage the connector system.

No. of Positions	Dimensions				Part Numbers
	C	D	E	F	
50	1.830	1.629	2.065	1.665	749878-5
	46.48	41.38	52.45	42.29	
68	2.280	2.079	2.515	2.115	749878-7
	57.91	52.81	63.88	53.72	
100	3.080	2.879	3.315	2.915	749878-9
	78.23	73.13	84.20	74.04	