

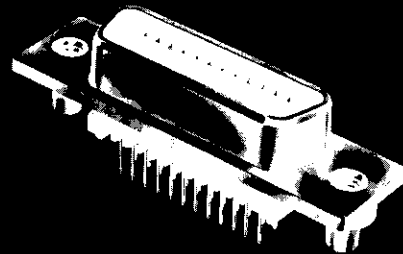
Shielded Vertical Mount Connectors

Material and Finish:

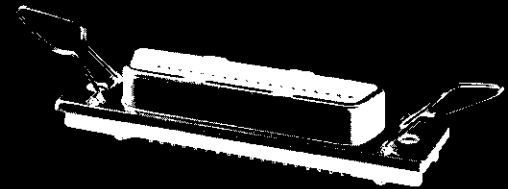
Housing—thermoplastic (black)

Terminals—selectively plated gold over nickel plated high strength copper alloy, tin plated tails

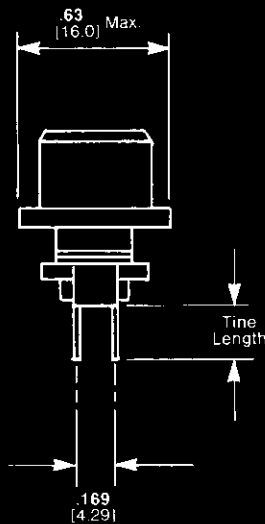
EMI Shield—nickel plated die casting



Screw Lock



Bail Lock



No. of Positions	Tine Length	Screw Lock		Bail Lock 4-40 Hole	Board Lock w/Bail Lock
		6-32 Hole	4-40 Hole		
24	.115	554501-1 ³	—	—	—
	2.92	—	—	—	—
36	.100	—	—	555757-2 ⁴	—
	2.54	—	—	—	—
50	.215	—	—	554145-4	—
	5.46	—	—	—	—
50	.115	—	—	554216-3 ²	—
	2.92	—	—	—	—
50	.180	—	—	—	569099-1 ⁵
	4.57	—	—	—	—
50	.215	—	554217-4 ¹	—	—
	5.46	—	—	—	—

¹SCSI applicable with use of Bail Lock Hardware Kit Part No. 554818-2.

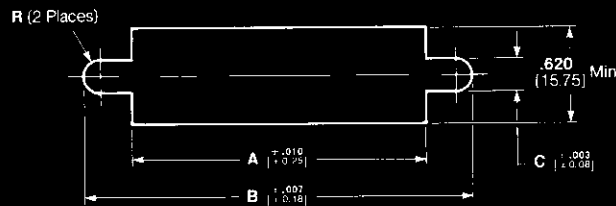
²SCSI applicable.

³Can be used with Interface Bus Applications per IEEE-488.

⁴Low-profile, stamped shield.

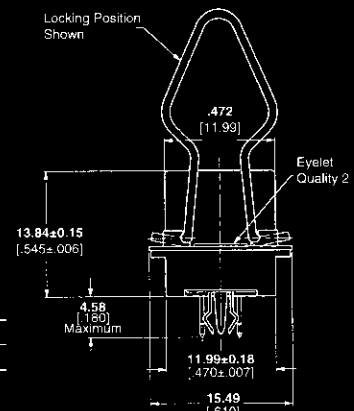
⁵See view A.

Recommended Panel Cutout for Preassembled and Metric Application per IEEE-488 (Rear Panel Mount Only)

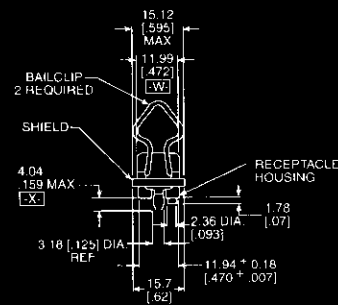


No. of Positions	Screw Lock			Bail Lock		
	A	B	C	A	B	C
24	1.575	1.994 ¹	.152 ¹	1.806	1.968	.126
	40.01	50.65	3.86	45.87	49.99	3.20
36	2.085	2.478	.126	2.316	2.478	.126
	52.96	62.94	3.20	58.83	62.94	3.20
50	2.700	3.072	.126	2.910	3.072	.126
	68.58	78.03	3.20	73.91	78.03	3.20

¹For IEEE-488 Metric Applications Dimension—B=2.036 [51.71] (Screw Lock Only), C=.192 [4.88].



View A
Low Profile



Standard