

## Ejector Assembly for Single Slot, Standard Height Pin Headers

### Left Button Ejector\*

Part Number 146019-1

#### Material and Finish:

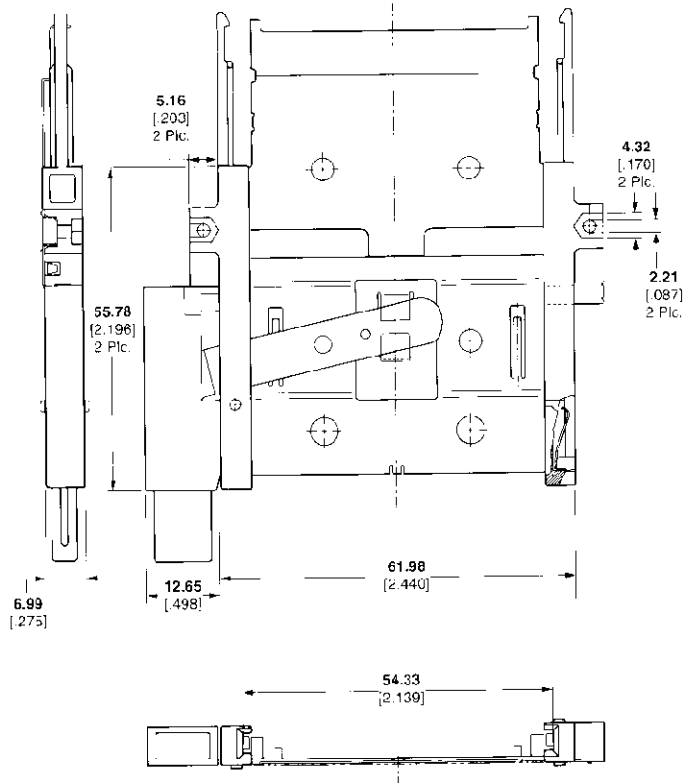
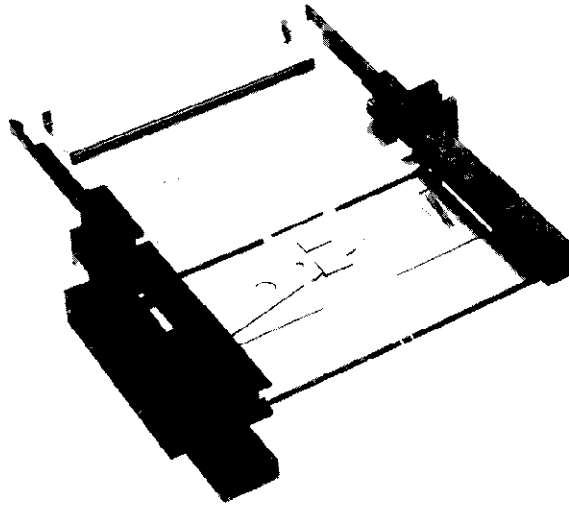
**Rails, Shroud and Button** — Liquid crystal polymer, black

**Ejector, Rail Plate and Lever** — Stainless steel

#### Related Product Data:

**Pin Headers Used With Ejector Assembly** — pages 17-19

\*For top board-mount applications. Also can be used as right button ejector for bottom board-mount applications.



**Notes:** Two size M2 [2-56 UNC] screws (Customer supplied) are required for fastening the ejector to the PC board.