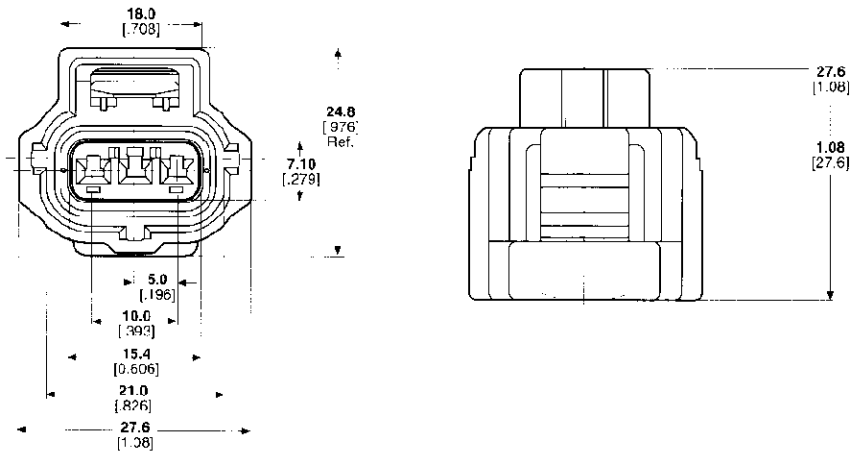


## SSC (Sealed Sensor Connector) System (Continued)

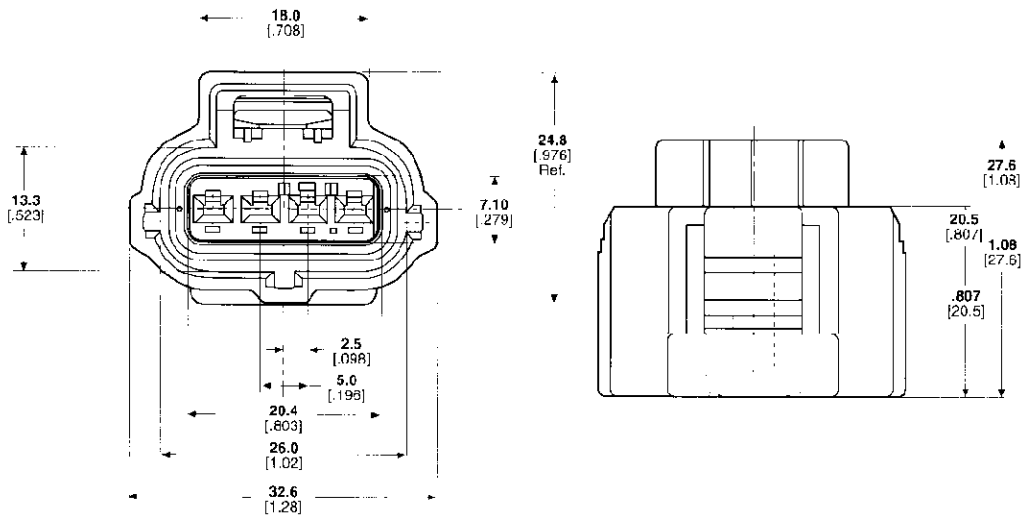
### Plug Assemblies (Continued)

#### Three Position



Part Number 184032-1  
Black

#### Four Position



Part Number 184046-1  
Black