

16mm Wide Body Vertical Pin Assemblies with Solder Leads and Compliant Press-Fit Leads

Material and Finish:

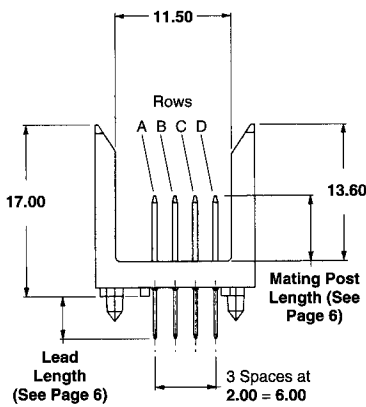
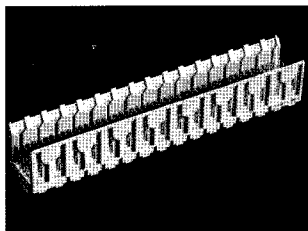
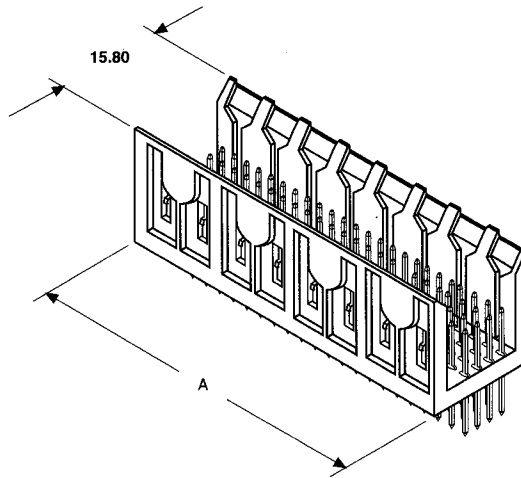
Housing — Liquid crystal polymer
Pin Contacts — Phosphor bronze, mating surface plating conforms to all testing specified for Telcordia Uncontrolled Environment, with entire contact underplated with 0.00127 min. nickel. See customer drawing for specific lead plating.

Related Product Data:

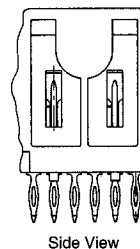
- Material Specifications** — page 27
- Performance/Test Level Data** — page 27
- Compliant Press-Fit Contact Specifications** — page 28
- Application Tooling** — page 29, 30

Technical Documents (page 2):

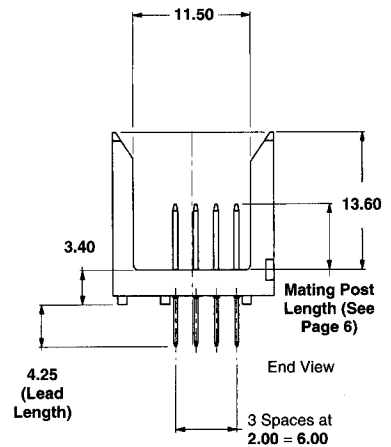
- Product Specification**
108-1441
- Application Specification**
114-1075
- Instruction Sheets**
408-6927, 408-9910, 408-9979
- Electrical Performance Report**
65476



Solder Leads



Side View



Compliant Press-Fit Leads

*For contact load variations (sequenced or select-load pins), use worksheets on pages 15 and 16 to define your requirements.