

Four Position 2x2

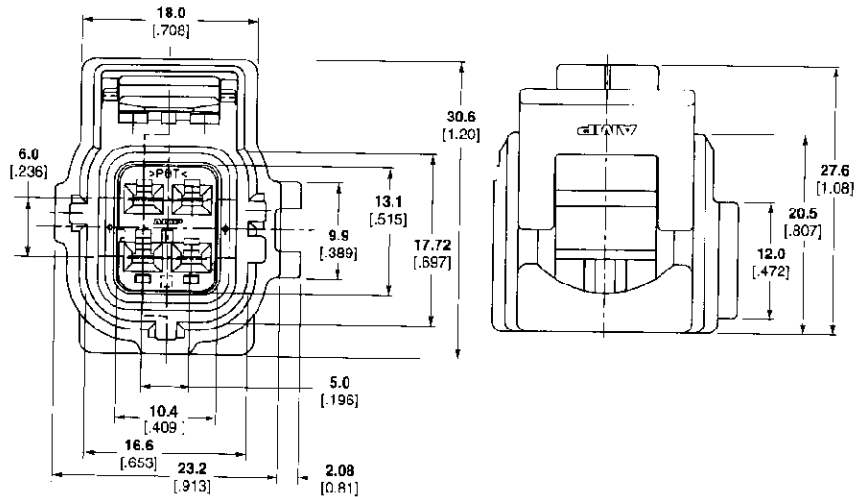
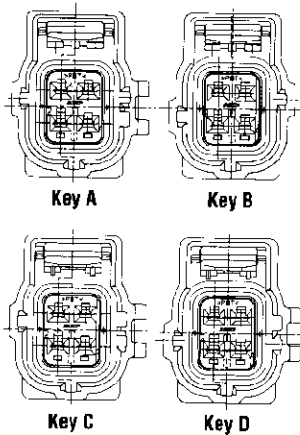
Plug Assemblies

Material and Finish:

Housing—Glass-filled PBT
 High Temp. 150°C
 Standard Temp. 125°C

Seal Ring—Silicone

Double-Lock Plate—FBT, yellow

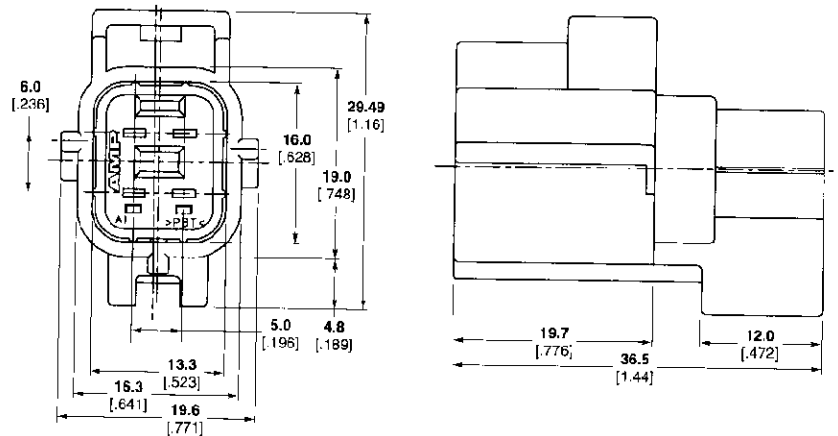
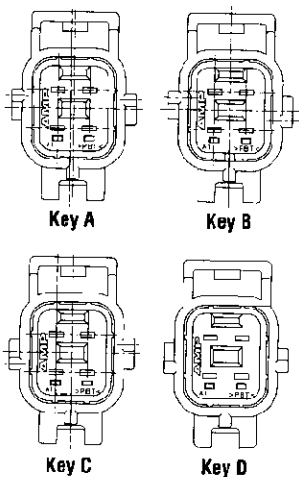


Cap Assemblies

Material:

Housing—Glass-filled PBT
 High Temp. 150°C
 Standard Temp. 125°C

Cap Lock Plate—PBT, yellow



Type	Keying	Color	Additional Notes	Part Number	Mating Half Part Number	Mating Half Part Number
Cap Assembly	A	Black	150°C Material	184246-1	184244-1	184248-1
Cap Assembly	B	Black	150°C Material	184254-1	184250-1	184252-1
Cap Assembly	C	Black	150°C Material	184305-1	184297-1	184301-1
Cap Assembly	D	Black	150°C Material	184307-1	184299-1	184303-1
Plug Assembly	A	Black	With Retainer Slot 150°C Material	184244-1	184246-1	—
Plug Assembly	A	Black	With CPA Without Retainer Slot 150°C Material	184248-1	184246-1	—
Plug Assembly	A	Black	Circuit #2 Blocked 150°C Material	184282-1	—	—
Plug Assembly	B	Black	With CPA Without Retainer Slot 150°C Material	184250-1	184254-1	—
Plug Assembly	B	Black	Circuit #2 Blocked 150°C Material	184284-1	—	—
Plug Assembly	B	Black	With CPA 150°C Material	184252-1	184254-1	—
Plug Assembly	C	Black	With Retainer Slot	184297-1	184305-1	—
Plug Assembly	C	Black	Without Retainer Slot	184301-1	184305-1	—
Plug Assembly	D	Black	With Retainer Slot	184299-1	184307-1	—
Plug Assembly	D	Black	Without Retainer Slot	184303-1	184307-1	—