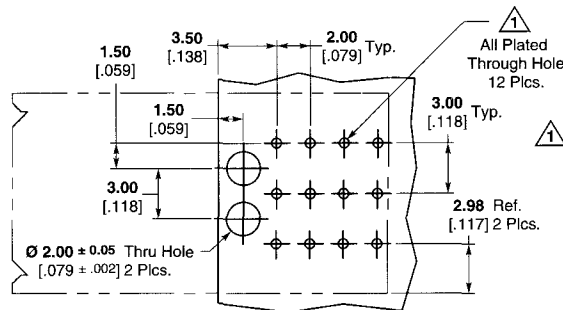
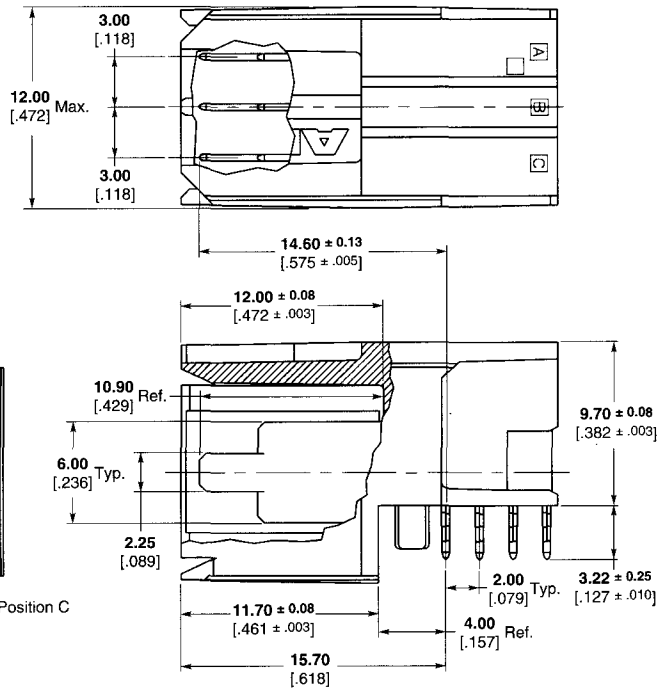
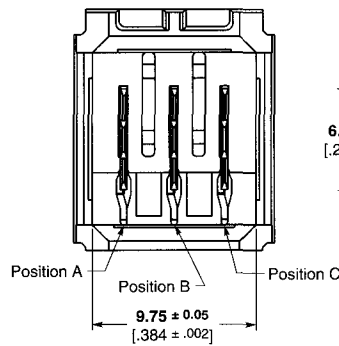
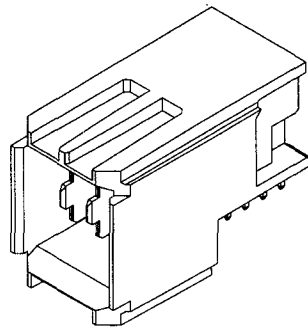


Power and Guide Hardware
(Continued)

**Universal Power Module
Right Angle Headers (3 Pos.)**

Material and Finish

Housing — polyester, natural color
Contacts — Copper alloy, plated 0.00127 [.000050] min. gold in mating area, 0.00050 [.000020] min. tin-lead on ACTION PIN post area, with entire contact underplated 0.00127 [.000050] min. nickel



All Plated Through Hole 12 Plcs.
 PCB Hole Dim.
 Drilled Hole = 0.7000 ± 0.025 [.02756 ± .0010]
 Finished Hole = 0.60 ± 0.05 [.024 ± .002]
 Cu Thickness = 0.375 ± 0.0125 [.0148 ± .00049]
 SnPb Thickness = 0.007 ± 0.003 [.0003 ± .0001]

Note: For finishes other than tin-lead, reference Application Specification 114-1103.

Recommended PC Board Hole Layout

Blade Length Dimensions			Standard *10A Right Angle Header Part Numbers	High Current *15A Right Angle Header Part Numbers
Position A	Position B	Position C		
10.90 [.429]	10.90 [.429]	10.90 [.429]	223961-1	5-223961-1
10.90 [.429]	9.30 [.366]	10.90 [.429]	223962-1	—
10.90 [.429]	9.30 [.366]	9.30 [.366]	223968-1	—
10.90 [.429]	7.68 [.302]	10.90 [.429]	223972-1	—
10.90 [.429]	7.68 [.302]	9.30 [.366]	223971-1	—
10.90 [.429]	7.68 [.302]	7.68 [.302]	223970-1	—
9.30 [.429]	10.90 [.429]	9.30 [.366]	223963-1	—
9.30 [.366]	10.90 [.429]	7.68 [.302]	223964-1	—
9.30 [.366]	9.30 [.366]	9.30 [.366]	223967-1	—
9.30 [.366]	—	9.30 [.366]	223975-1	—
9.30 [.366]	9.30 [.366]	7.68 [.302]	223981-1	—
9.30 [.366]	7.68 [.302]	9.30 [.366]	223965-1	—
7.68 [.302]	9.30 [.366]	7.68 [.302]	223983-1	—
7.68 [.302]	7.68 [.302]	9.30 [.366]	223980-1	—
7.68 [.302]	7.68 [.302]	7.68 [.302]	223974-1	5-223974-1

*Reference Product Specification 108-1651.

Note: For additional Power Module options reference Catalog 1773096, "Power Connectors and Interconnection Systems," or contact your Tyco Electronics Sales Representative.

1
Z-PACK HM-Zd Connector