

Receptacle Housings

Technical Features

No. of Positions:

40 Positions Assembly

Housing Material:

PBT GF

Wire Size Range:

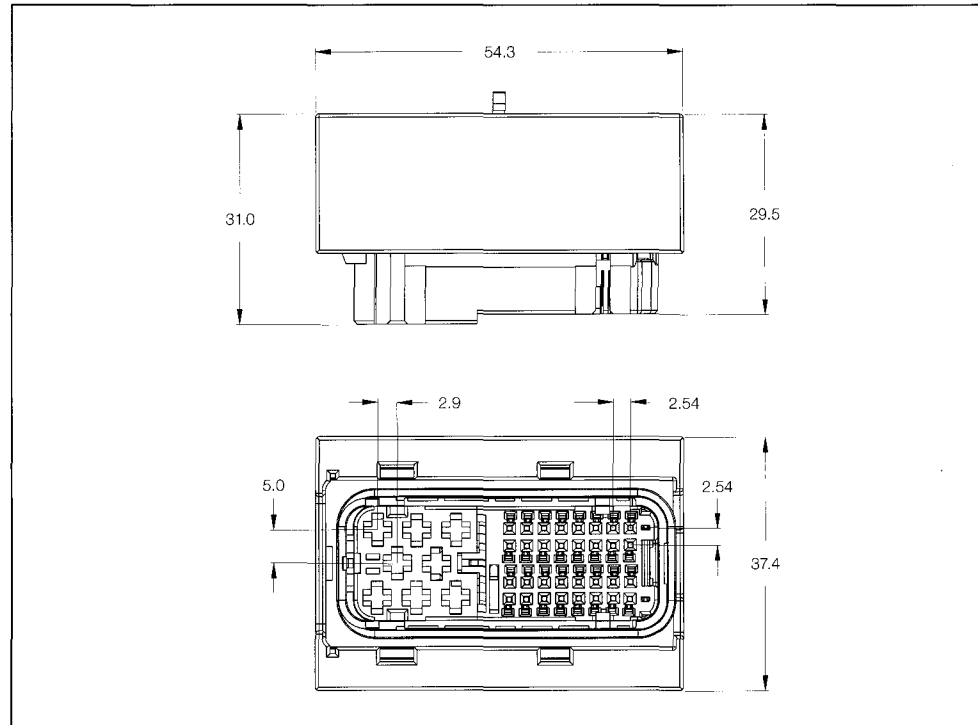
- 0.2–0.75 mm²
Micro Quadlok
- 0.2–2.5 mm²
Junior Power Timer

Product Specification:

108-5793

Application Specification:

411-78008



40 Position Receptacle Housing

No. of Pos.	Keying Options	Housing Color	Part Numbers							
			Receptacle Housing	Cover	Locking Device	Cover and Lever	Retainer Housing	Mating Tab Housing	Mating PCB Header Right-Angle	Mating PCB Header Vertical
40	–	–	1473252-1	–	–	1473255-1	368388-1	–	1241434	–