

Printed Circuit Board Headers

Technical Features

No. of Positions:

26 Positions

Housing Material:

PBT GF20

Material and Finish:

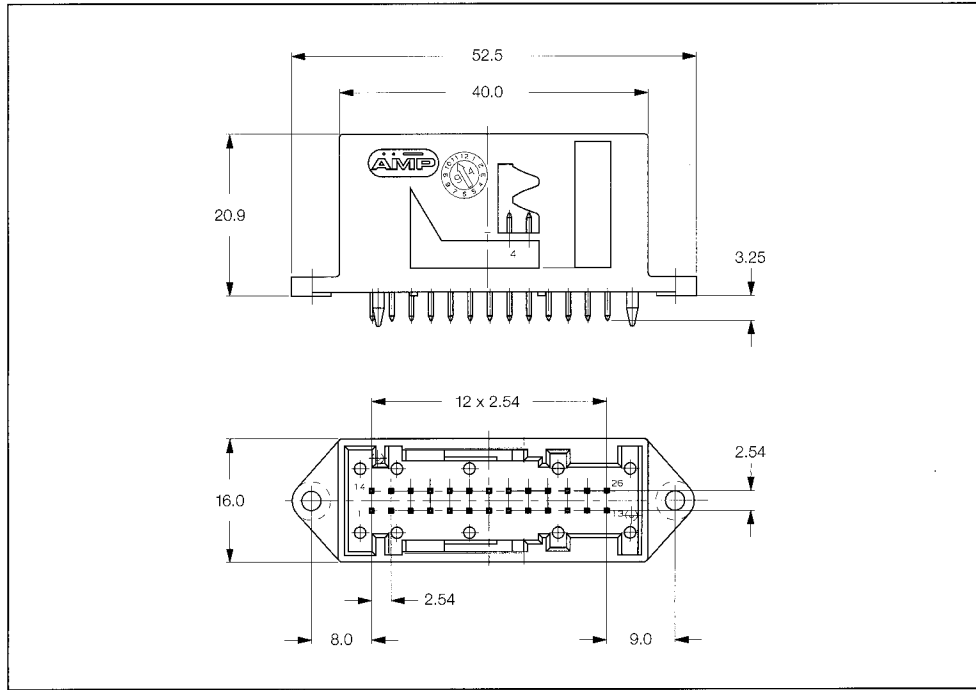
Tin, Gold over Nickel

Product Specification:

108-15106

Application Specification:

—



26 Position PCB Headers

No. of Pos.	Keying Options*	Housing Color	Part Numbers					
			PCB Header Right-Angle	PCB Header Vertical	Cover	Cover and Lever	Retainer Housing	Mating Counter Part
26	A-E	Yellow	—	185226-1				
	B-F	Blue	—	185226-2				
	A-E	Black	—	185226-3	—	—	—	185879
	B-F	White	—	185226-4				144934
	A-E	Black	—	1-185226-3				
	B-F	White	—	1-185226-4				

* For details, see drawing