

Printed Circuit Board Headers

Technical Features

No. of Positions:

18 Positions

Housing Material:

PET GF30

Material and Finish:

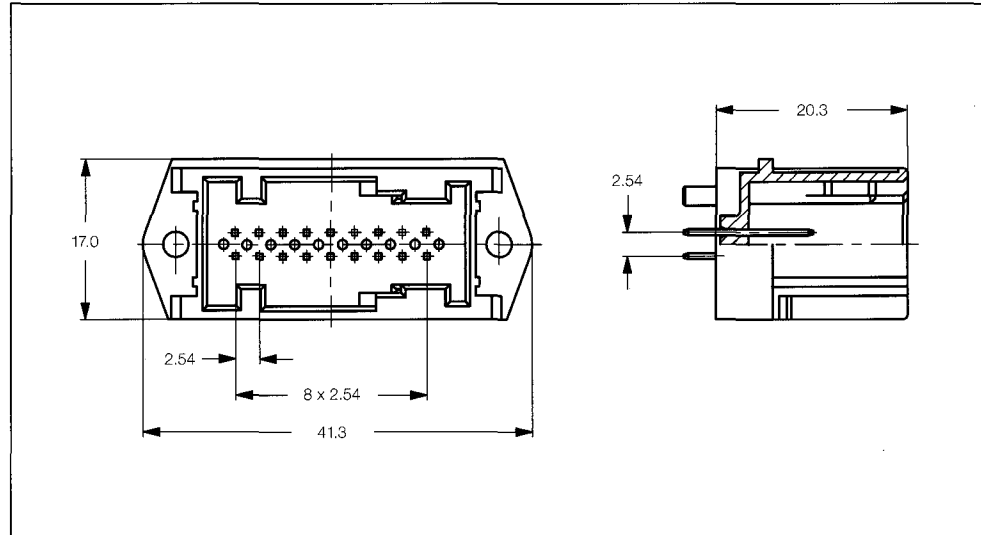
Sn over Ni, tin plated

Product Specification:

108-18030

Application Specification:

114-18021



18 Position PCB Headers

No. of Pos.	Keying Options	Housing Color	Part Numbers					
			PCB Header Right-Angle	PCB Header Vertical	Cover	Cover and Lever	Retainer Housing	Mating Receptacle Housing
18	A	Black	-	1-1355154-1				
	B	Natural	-	2-1355154-1	-	-	-	1355348
	B	Natural	-	3-1355154-1				