

Receptacle Housings

Technical Features

No. of Positions:

81 Positions Assembly for Junior Power Timer and Micro Quadlok

Housing Material:

PBT GF20

Wire Size Range:

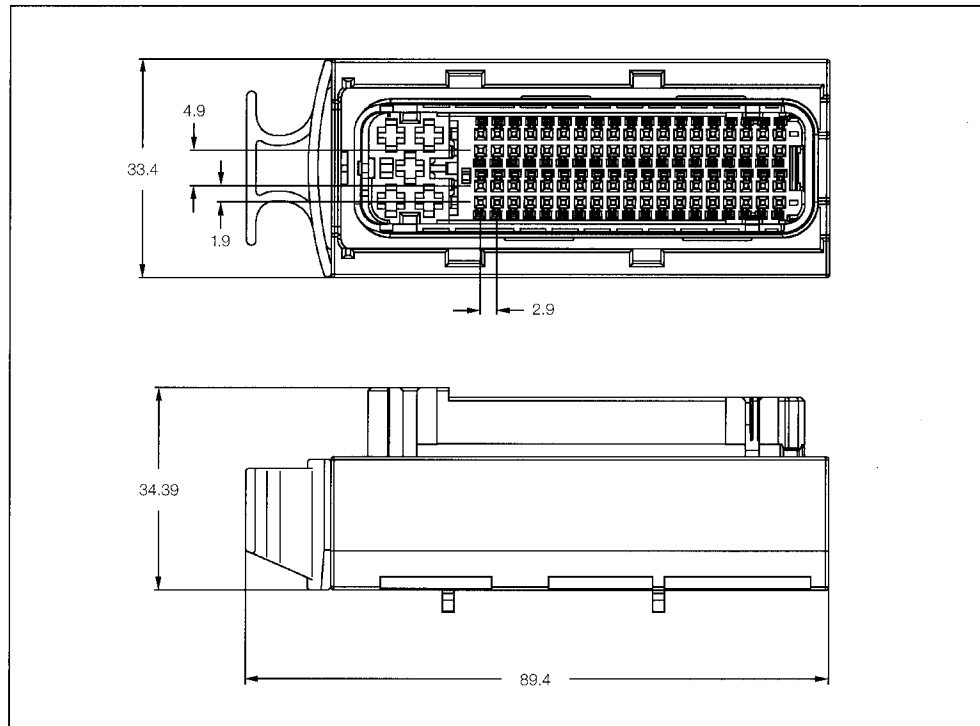
- 0.5–2.5 mm² Junior Power Timer
- 0.5–0.75 mm² Micro Quadlok

Product Specification:

108-61036

Application Specification:

114-18021-1



81 Position Receptacle Housings

No. of Pos.	Keying Options	Housing Color	Part Numbers							
			Receptacle Housing	Cover	Locking Device	Cover and Lever	Retainer Housing	Mating Tab Housing	Mating PCB Header Right-Angle Vertical	
81	-	Black	368376-1	368389-1	-	-	-	-	-	-
		Grey	368376-2	-	-	-	-	-	-	-
		White	368376-3	-	-	-	-	-	-	368146
		Blue	368376-4	-	-	-	-	-	-	-
		Yellow	-	-	-	-	-	368382-1	-	-