

Receptacle Housings

Technical Features

No. of Positions:

18 Positions (2 × 9)

Housing Material:

PA 66 GF

Wire Size Range:

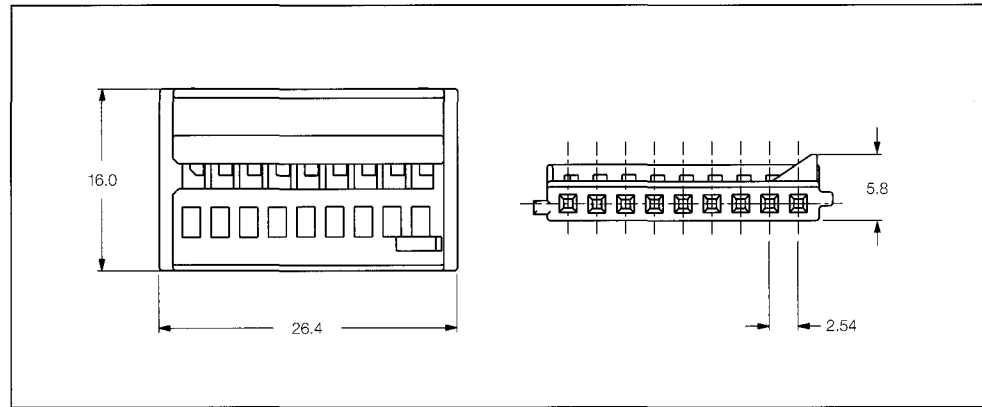
0.35–0.5 mm²

Product Specification:

108-20182

Application Specification:

411-20056



18 Position Receptacle Housings

No. of Pos.	Keying Options	Housing Color	Part Numbers							
			Receptacle Housing	Cover	Locking Device	Cover and Lever	Retainer Housing	Mating Tab Housing	Mating PCB Header Right-Angle	Mating PCB Header Vertical
18	A	Black (Frame)	-	-	-	284360-1	-	-	-	-
	B	Grey (Frame)	-	-	-	284360-2	-	-	-	-
	-	Black	284134-1	-	-	-	-	-	284522	284582
	-	Grey	284134-2	-	-	-	-	-	-	953466
	-	Blue	284134-3	-	-	-	-	-	-	-
-	-	Brown	284134-4	-	-	-	-	-	-	-

Technical Features

No. of Positions:

18 Positions Kit

Housing Material:

PA 66 GF

Wire Size Range:

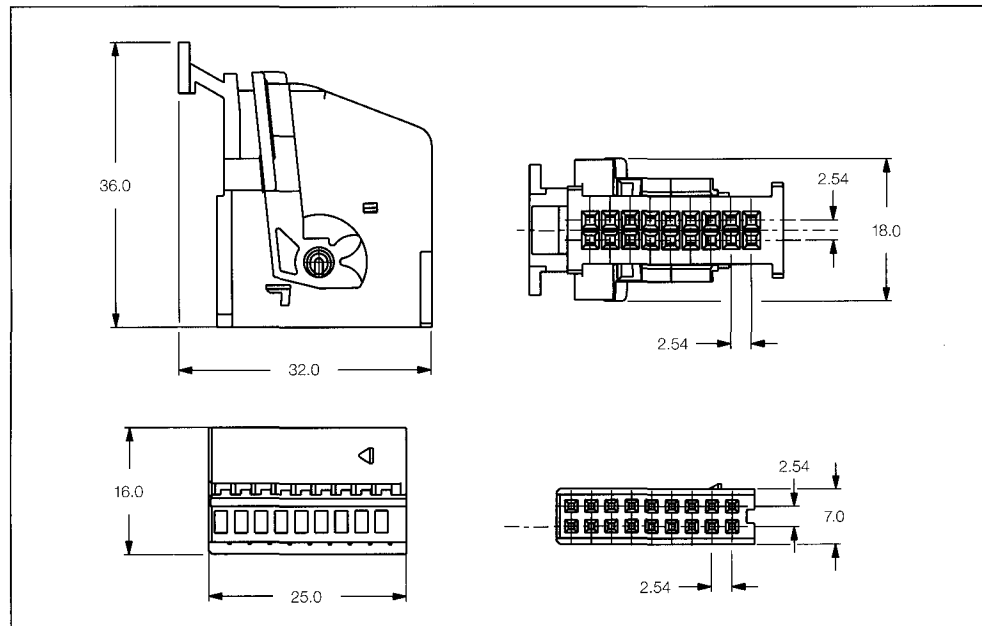
0.35–0.75 mm²

Product Specification:

108-20222

Application Specification:

411-15554



18 Position Receptacle Housings

No. of Pos.	Keying Options	Housing Color	Part Numbers							
			Receptacle Housing	Cover	Locking Device	Cover and Lever	Retainer Housing	Mating Tab Housing	Mating PCB Header Right-Angle	Mating PCB Header Vertical
18	A	Black	284666-1	-	-	-	-	-	-	-
	B	White	284666-2	-	-	-	-	-	-	-
	C	Brown	284666-3	-	-	-	-	-	-	-
	D	Blue	284666-4	-	-	-	-	-	-	-