

Receptacle Housings

Technical Features

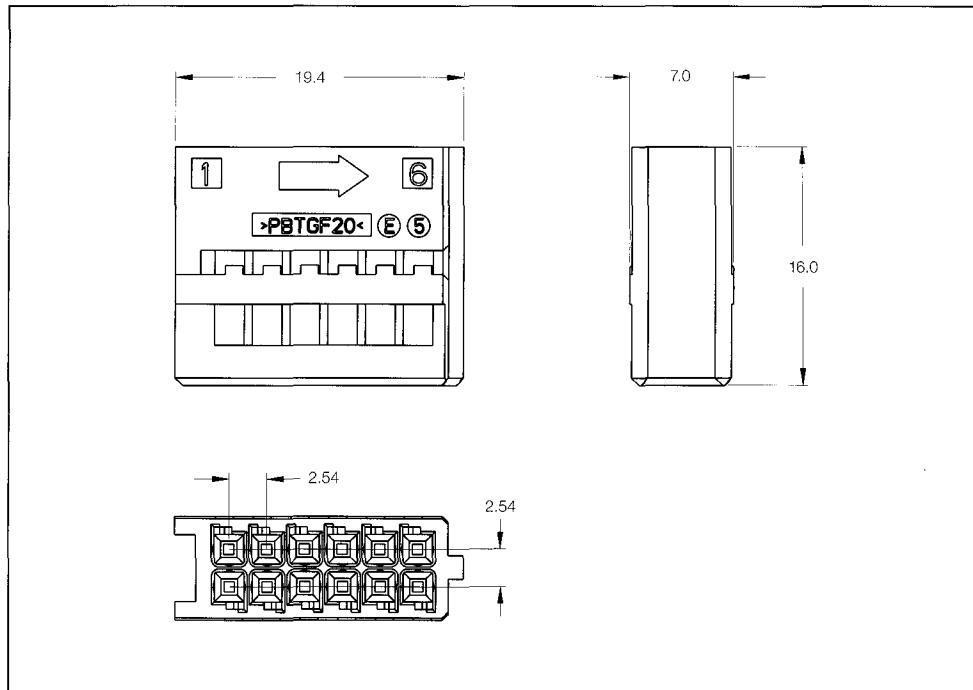
No. of Positions:
 12 Positions (1st Generation)

Housing Material:
 PBT GF20

Wire Size Range:
 0.35–0.75 mm²

Product Specification:
 108-15139

Application Specification:
 411-15565



12 Position Receptacle Housings

No. of Pos.	Keying Options	Housing Color	Part Numbers							
			Receptacle Housing	Cover	Locking Device	Cover and Lever	Retainer Housing	Mating Tab Housing	Mating PCB Header Right-Angle Vertical	
		Black	185300-1	-	144936-1	-				
		Brown	-	-	-	185341-1 (Wire Output 0°)				
		Blue	-	-	-	185341-2 (Wire Output 0°)				
12	-	Brown	-	-	-	185303-1 (Wire Output 45°)	-	-	185740	953130
		Blue	-	-	-	185303-2 (Wire Output 45°)			1379030	1379114
		Brown	-	-	-	185343-1 (Wire Output 90°)				
		Blue	-	-	-	185343-2 (Wire Output 90°)				