

Receptacle Housings

Technical Features

No. of Positions:

6 Positions

Housing Material:

PBT

Wire Size Range:

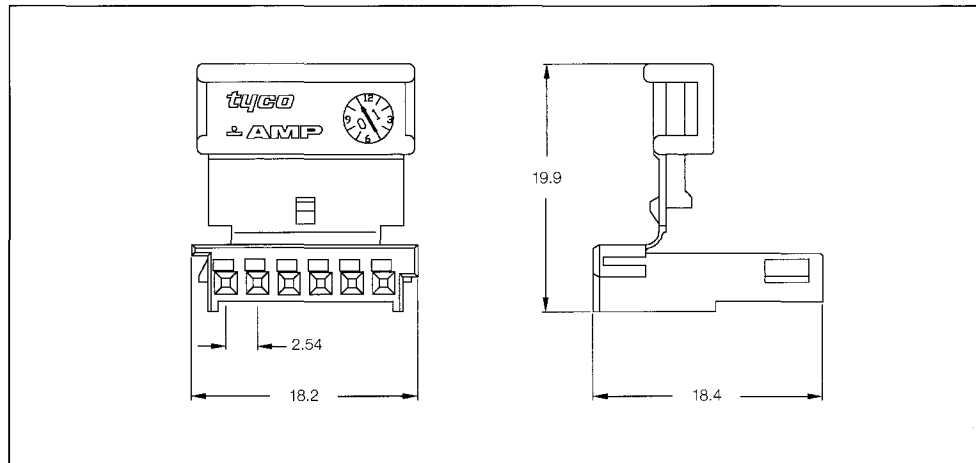
0.2–0.75 mm²

Product Specification:

108-61030

Application Specification:

114-18030



6 Position Receptacle Housings

No. of Pos.	Keying Options	Housing Color	Part Numbers								
			Receptacle Housing	Cover	Locking Device	Cover and Lever	Retainer Housing	Mating Tab Housing	Mating PCB Header Right-Angle	Mating PCB Header Vertical	
6	Z	Black	936289-2	-	-	-	-	-	-	936287	-
	Z	Natural	936289-5	-	-	-	-	-	-	-	-

Technical Features

No. of Positions:

6 Positions

Housing Material:

PBT GF20

Wire Size Range:

0.35–0.75 mm²

Product Specifications:

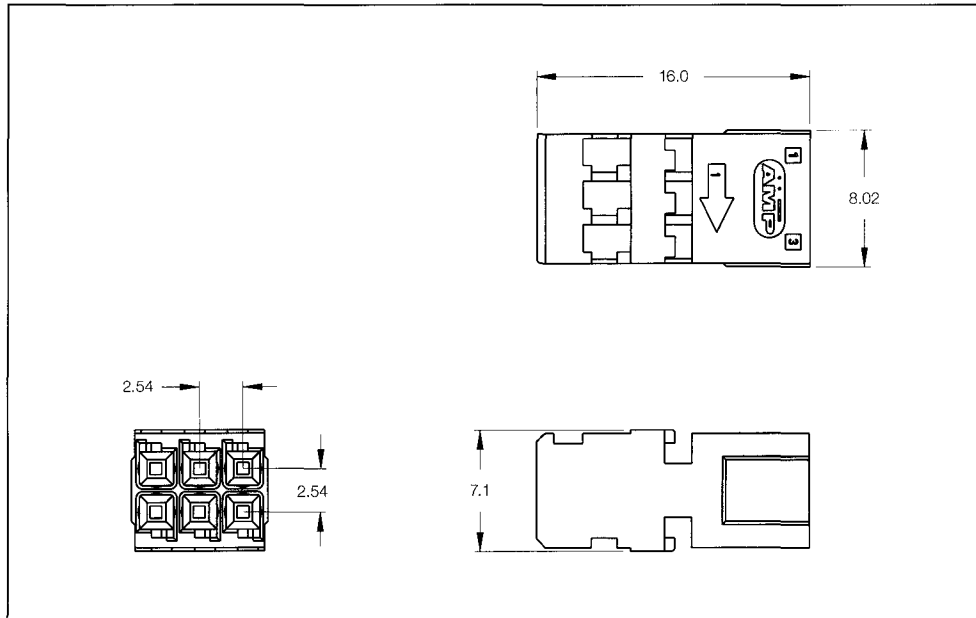
108-15142 Receptacle Housing

108-15192 Cover and Locking

Application Specifications:

411-15567 Receptacle Housing

411-15608 Cover and Locking



6 Position Receptacle Housings

No. of Pos.	Keying Options	Housing Color	Part Numbers							
			Receptacle Housing	Cover	Locking Device	Cover and Lever	Retainer Housing	Mating Tab Housing	Mating PCB Header Right-Angle	Mating PCB Header Vertical
6	-	Black	185311-1	953382-1	953381-1	-	-	1379118	953440	953363
		White	-	953382-2	-	-	-	-	953442	1379816
		Green	-	953382-3	-	-	-	-	953444	-
		Brown	-	953382-4	-	-	-	-	-	-