

Receptacle Housings

**Technical Features**

**No. of Positions:**

2 Positions

**Housing Material:**

PBT GF10

**Wire Size Range:**

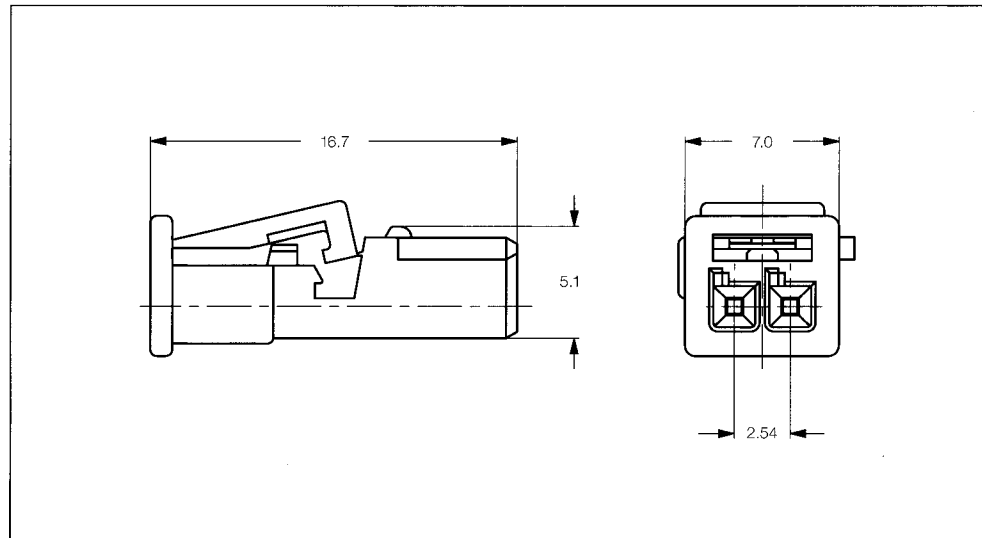
0.2–0.75 mm<sup>2</sup>

**Product Specification:**

118-18590-0

**Application Specification:**

114-18225



**2 Position Receptacle Housings**

No. of Pos.	Keying Options	Housing Color	Part Numbers								
			Receptacle Housing	Cover	Locking Device	Cover and Lever	Retainer Housing	Mating Tab Housing	Mating PCB Header Right-Angle	Mating PCB Header Vertical	
2	A	Black	1-968704-1	-	-	-	-	-	968699	-	-
	B	Natural	2-968704-1	-	-	-	-	-	-	-	-

**Technical Features**

**No. of Positions:**

2 Positions

**Housing Material:**

PBT GF10

**Wire Size Range:**

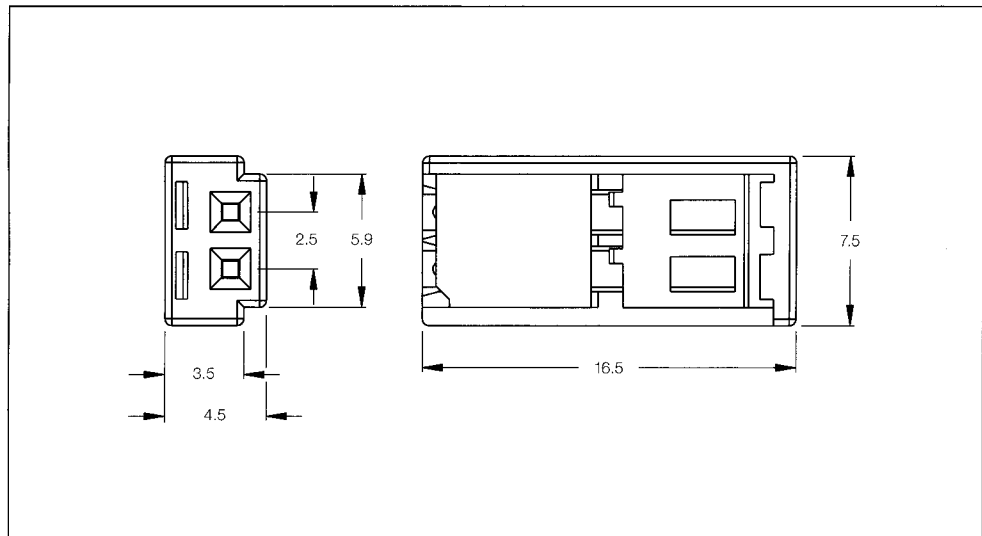
0.14–0.75 mm<sup>2</sup>

**Product Specification:**

108-18924

**Application Specification:**

114-18630



**2 Position Receptacle Housings**

No. of Pos.	Keying Options	Housing Color	Part Numbers							
			Receptacle Housing	Cover	Locking Device	Cover and Lever	Retainer Housing	Mating Tab Housing	Mating PCB Header Right-Angle	Mating PCB Header Vertical
2	-	Black	1-1534113-1	-	-	-	1534112-1	1-1534155-1 & 1534027-1	-	-