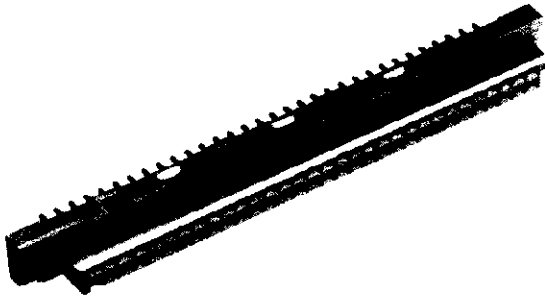
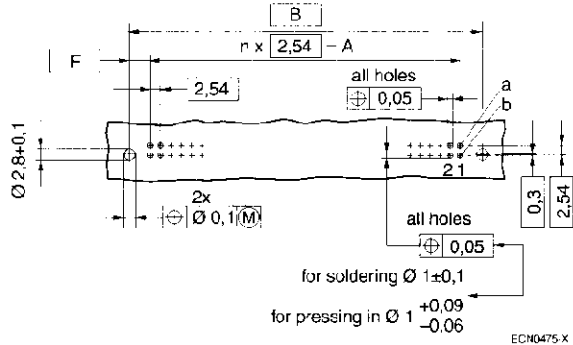


Type B Connectors (Continued)

Female Connectors, Solder

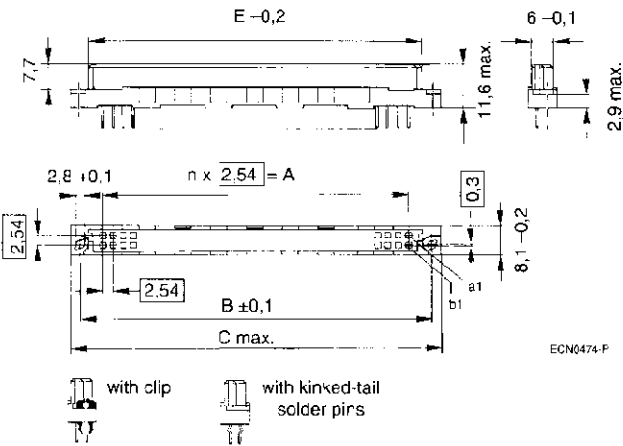


ECN0605-U

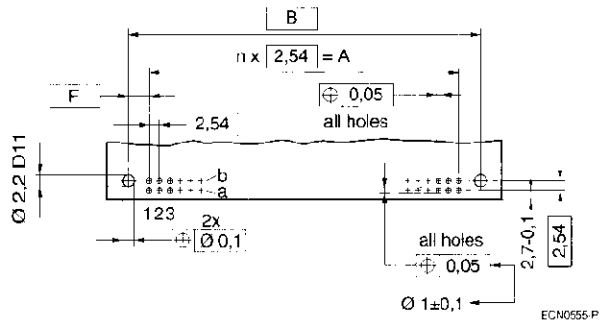


ECN0475-X

Mounting Holes (component side) for Printed Circuits



ECN0474-P



ECN0555-P

**Mounting Holes (component side) for Printed Circuits.
(For connectors with soldering pins angled at 90° and mounting brackets.)**

Schematic Depiction in Accordance with DIN

Type	n	A	B	C	D	E	F
B	31	78,74	90	95	85	85	5,63
B/2	15	38,1	50	55	45	44,36	5,95
B/3	9	22,86	34,76	39,76	30	29,12	5,95

Dimensions in mm

**Part Number Table
IEC Type B Female Connectors**

	No. Positions	Rows	DIN Level	Connector	Length	Part Number
Third Length B/3	20	A,B	II	Straight	2.9 mm	7-1393640-2
					4.5 mm	1-1393641-0
Half Length B/2	32	A,B	II	Straight	2.9 mm	7-1393640-4
					4.5 mm	1-1393641-1
Full Length B	64	A,B	II	Straight	2.9 mm	7-1393640-8
					4.5 mm	1-1393641-4

Note: Performance Level I available upon request.