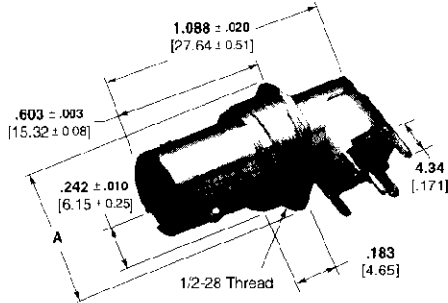
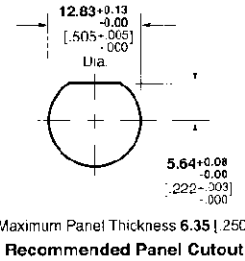
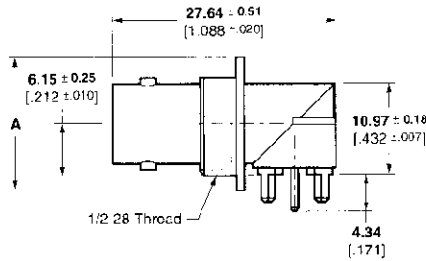


**BNC Connectors, 75 Ohm (Continued)**

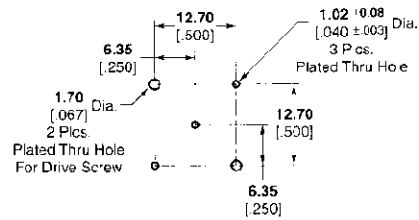
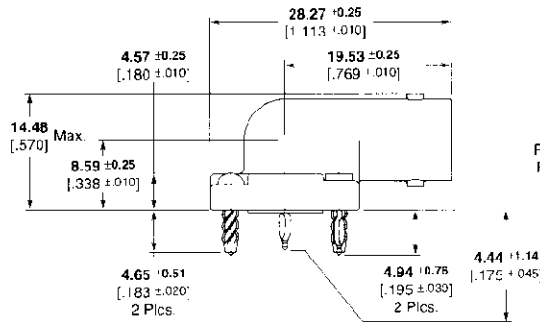
**Right Angle Metalized Jacks  
PC Board/Panel Mount**



Body Plating	Dielectric	Dim. A	Part No.
Tin-Lead	TPX	16.26 .640	415373-1
Tin-Lead	TPX	11.66 .459	1274425-2

**Press Fit  
Right Angle Metalized Jack  
PC Board Mount**

Part No. 1274028-1

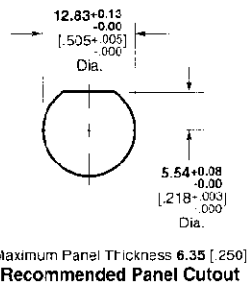
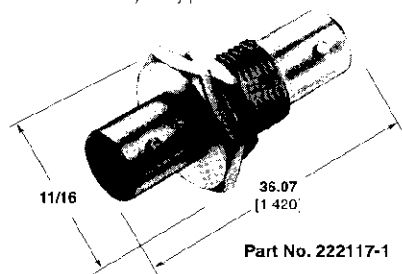


Recommended PCB Configuration

**Bulkhead Jack-Jack  
Adapter**

**Plating**

Body — Nickel  
Center Contact — Gold  
Dielectric — Polymethylpentene



**Right Angle Adapter  
(Jack Plug)**

**Plating**

Body — Nickel  
Center Contact — Gold  
Dielectric — Polymethylpentene

