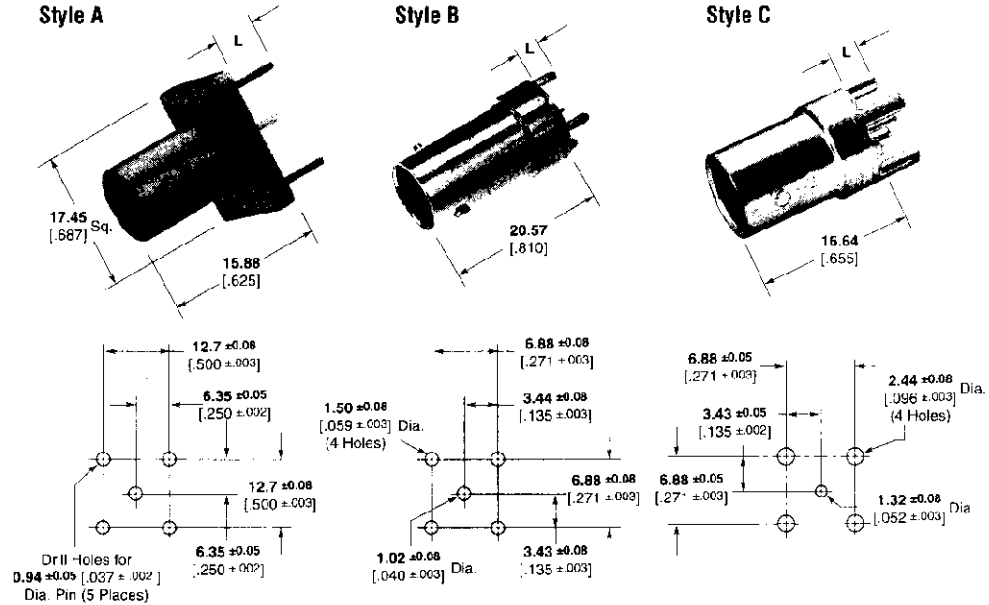


BNC Connectors, 75 Ohm (Continued)

**Vertical Metalized Jacks
PC Board Mount**

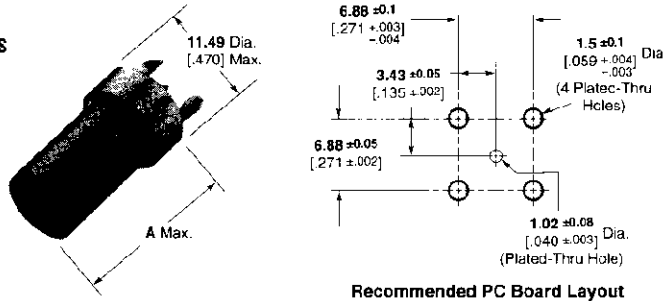
Plating
Dielectric — TEFLON



Recommended PC Board Layout

Body Plating	Center Contact Plating	Style	Leg Length L	Part No.
Nickel	Gold	B	3.30 .130	1274291-2
Tin-Lead	Gold	B	3.30 .130	1274291-1
Tin-Lead	Gold	B	6.35 .250	1274359-1
Tin-Lead	Gold	C	4.44 .175	414394-1
Nickel	Silver	A	6.35 .250	413986-1

**Press Fit
Vertical Metalized Jacks
PC Board Mount**



Recommended PC Board Layout

Dim. A	Part No.
20.57 .810	222462-1
16.26 .640	414088-1

Insulating Bushing

Material — Nylon
Part No. 222163-1
Only to be used on P/N 222462-1
and 222006-1

