

Special Connectors Button Battery Holder

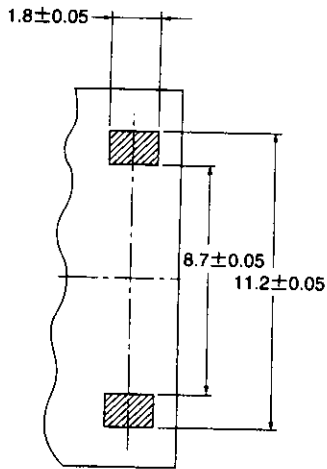
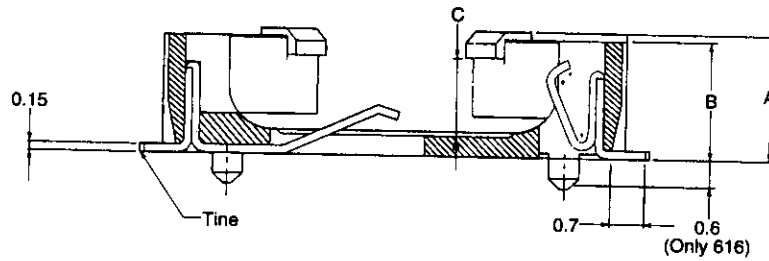
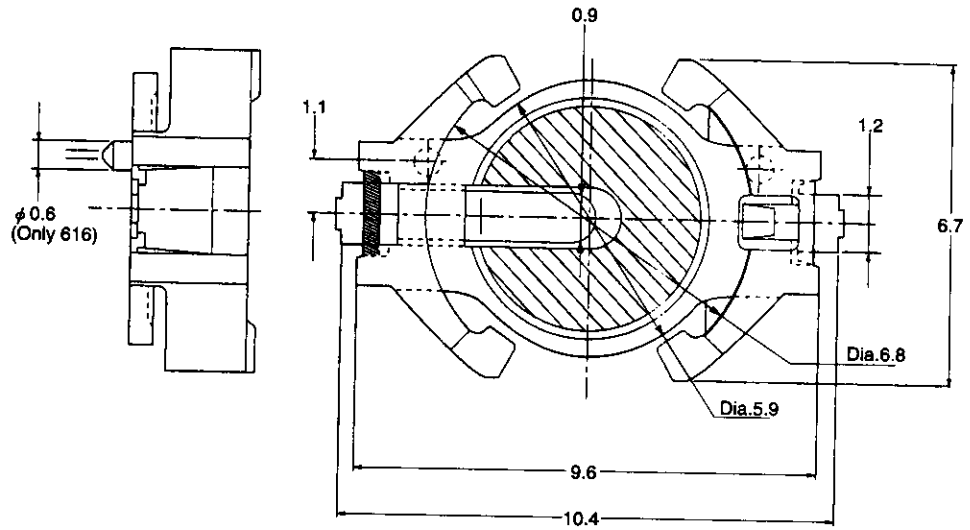
Material and Finish :

Housing — Thermoplastic

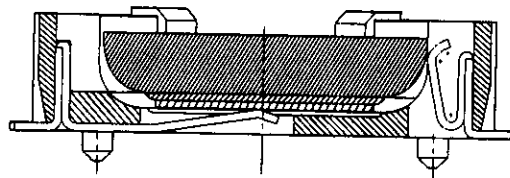
614 : Black

616 : Natural (White)

Contact — Stainless steel with
palladium nickel and gold
plating over nickel underneath



PC Board Layout



The Batteries Applied

Type	Dimensions			No. of Pos.	Emboss Tape Mounted (EA./Reel)
	A	B	C		
ML 616	2.55	2.4	1.65	353832-1	1,500
ML 614	2.3	2.2	1.45	1318164-1	1,500
ML 612	2.55	2.4	1.25	1318679-1	1,500
ML 612 L/P	2.2	2.0	1.25	1376154-1	1,500