

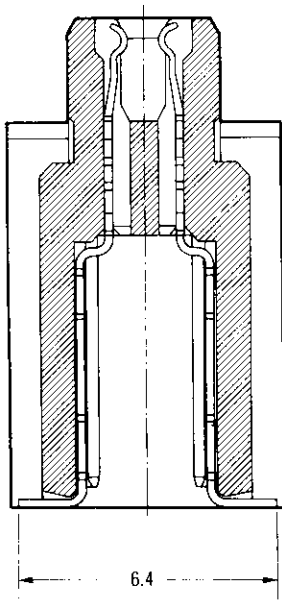
# Board to Board Connectors

## FH (Free Height) 0.8mm Pitch Connectors

### Board to Board SMT Typed

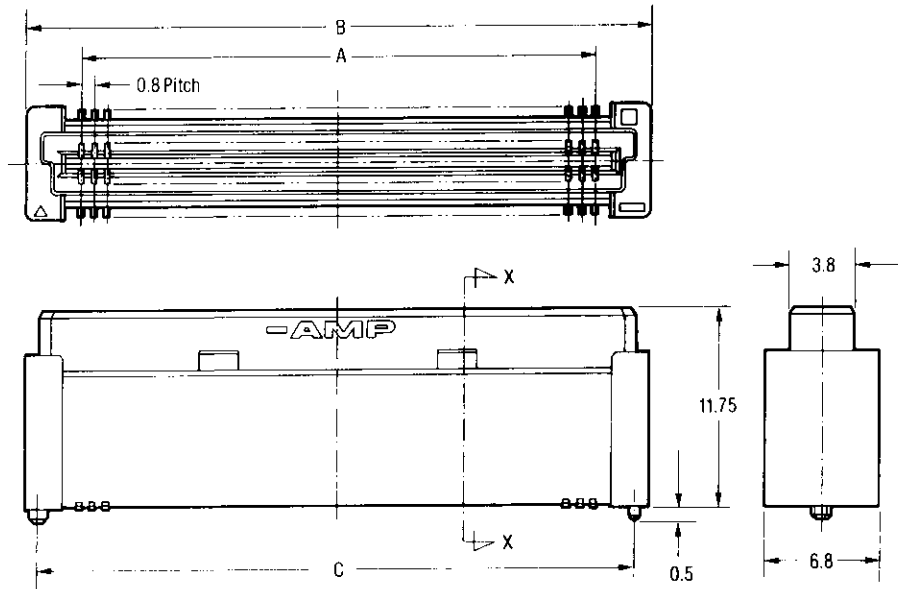
#### Receptacle Assemblies

**Material and Finish :**  
 Housing—UL94V-0 rated, heat-resistant thermoplastic, natural color  
 Contact—Beryllium copper, 0.2µm min. gold plated on contact area, 1.0µm min. tin-lead plated or tin plated on soldering area, with entire contact underplated 1.3µm min. nickel



Section X-X

Applicable Board Stacking Heights = 13mm/14mm/15mm/16mm

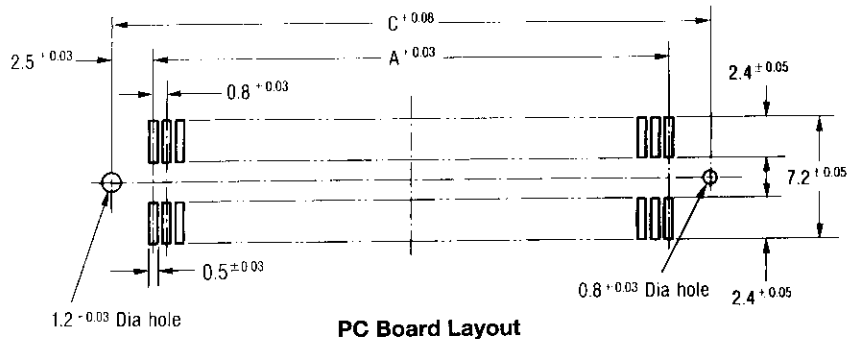


No. of Pos.	Dimensions			Part Number
	A	B	C	Tube (ea.)
40	15.2	21.8	20.2	5-179010-1 (22)
60	23.2	29.8	28.2	5-179010-2 (16)
80	31.2	37.8	36.2	5-179010-3 (12)
100	39.2	45.8	44.2	5-179010-4 (10)
120	47.2	53.8	52.2	5-179010-5 (9)
140	55.2	61.8	60.2	5-179010-6 (7)
160	63.2	69.8	68.2	5-179010-8 (6)
180	71.2	77.8	76.2	5-179010-9 (6)
200	79.2	85.8	84.2	6-179010-0 (5)

#### Mating Plug Distinction of Stacking Height

Stacking Height	Part No. of Mating Plug
13mm	□-177984-□ 179485-□* 1-179485-0*
14mm	□-179029-□ 2-179485-□* 3-179485-0*
15mm	□-179030-□ 4-179485-□* 5-179485-0*
16mm	□-179031-□ 6-179485-□* 7-179485-0*

\* With solder peg.



PC Board Layout